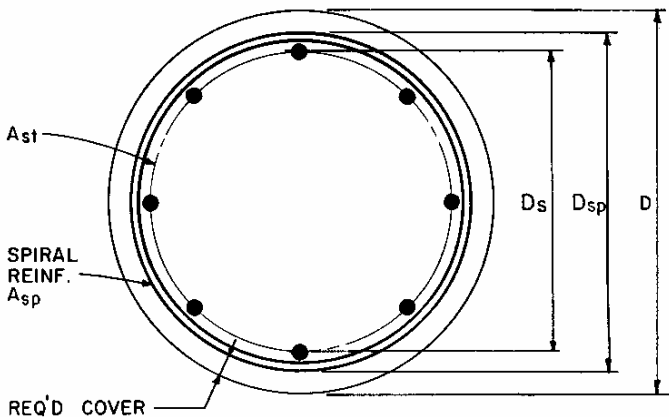


a) RECTANGULAR SECTION WITH EQUAL REINFORCEMENT ON OPPOSITE FACES



b) CIRCULAR SECTION WITH UNIFORMLY DISTRIBUTED REINFORCEMENT

Figure 4-62 Typical interior column sections