

NOTE: THIS SKETCH IS A NON-PROPRIETARY GRAPHIC REPRESENTATION OF A LUMINAIRE THAT MAY MEET THE SPECIFICATION REQUIREMENTS. IT IS NOT INTENDED TO INDICATE A CERTAIN MANUFACTURER OR PREFERENCE.

LUMINAIRE REQUIREMENTS:

1. HOUSING – DIE-CAST ALUMINUM HOUSING WITH POWDER COAT FINISH.
2. OPTICS – INJECTION MOLDED OPTICS WITH TYPE I, II, III, IV, OR V DISTRIBUTIONS. BUG UPLIGHT RATING OF U0, WITH GLARE RATING AS DETERMINED BY LIGHTING ZONE INSTALLED.
3. LIGHT SOURCE – SOLID STATE LEDS, 3000K CCT UON, MINIMUM 70 CRI UON, AND MINIMUM EFFICACY OF 110 LUMENS/WATT UON. INITIAL LUMEN OUTPUT AS INDICATED IN LUMINAIRE SCHEDULE.
4. DRIVER – REPLACEABLE, INTEGRAL, HIGH-EFFICIENCY DIMMABLE DRIVER WITH MINIMUM 0.9 PF, OPERATING VOLTAGE OF 120-277V, THERMAL MANAGEMENT, AND < 20% THD. ON-OFF CONTROL AND FULLY DIMMABLE DOWN TO 10% MINIMUM OR AS INDICATED IN LUMINAIRE SCHEDULE. MEETS ELEVATED 10KV/10KA REQUIREMENTS PER IEEE.
5. CERTIFICATION – UL LISTED FOR WET LOCATION, ROHS COMPLIANT. COMPLIES WITH IES LM79, LM80 AND TM21 TESTING STANDARDS.
6. MOUNTING – ARM-MOUNTED ON POLE.
7. OPTIONS – MOUNTING ARM LENGTH, LIGHT DISTRIBUTION, HOUSE-SIDE SHIELD, PHOTOCCELL, INTEGRATED MOTION SENSOR, AND ANSI 7-PIN RECEPTACLE.

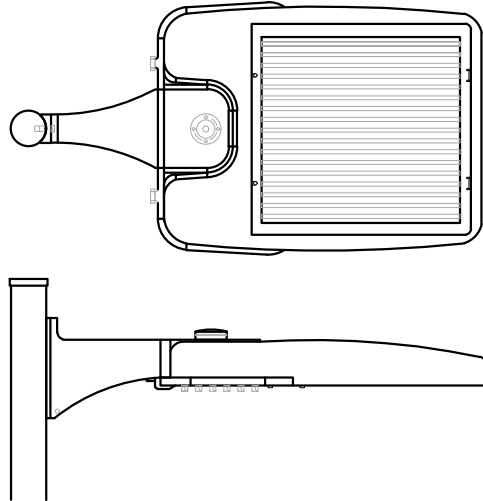
LED ROADWAY LUMINAIRE

REVISED:

NOVEMBER 2020

LIGHTING PLATE:

XL-1



NOTE: THIS SKETCH IS A NON-PROPRIETARY GRAPHIC REPRESENTATION OF A LUMINAIRE THAT MAY MEET THE SPECIFICATION REQUIREMENTS. IT IS NOT INTENDED TO INDICATE A CERTAIN MANUFACTURER OR PREFERENCE.

LUMINAIRE REQUIREMENTS:

1. HOUSING – DIE-CAST ALUMINUM HOUSING WITH POWDER COAT FINISH.
2. OPTICS – INJECTION MOLDED OPTICS WITH TYPE I, II, III, IV, OR V DISTRIBUTIONS. BUG UPLIGHT RATING OF U0, WITH GLARE RATING AS DETERMINED BY LIGHTING ZONE INSTALLED.
3. LIGHT SOURCE – SOLID STATE LEDS, 3000K CCT UON, MINIMUM 70 CRI UON, AND MINIMUM EFFICACY OF 100 LUMENS/WATT UON. INITIAL LUMEN OUTPUT AS INDICATED IN LUMINAIRE SCHEDULE.
4. DRIVER – REPLACEABLE, INTEGRAL, HIGH-EFFICIENCY DIMMABLE DRIVER WITH MINIMUM 0.9 PF, OPERATING VOLTAGE OF 120-277V, THERMAL MANAGEMENT, AND < 20% THD. ON-OFF CONTROL AND FULLY DIMMABLE DOWN TO 10% MINIMUM OR AS INDICATED IN LUMINAIRE SCHEDULE. MEETS ELEVATED 10KV/10KA REQUIREMENTS PER IEEE.
5. CERTIFICATION – UL LISTED FOR WET LOCATION, ROHS COMPLIANT. COMPLIES WITH IES LM79, LM80 AND TM21 TESTING STANDARDS.
6. MOUNTING – ARM-MOUNTED ON POLE.
7. OPTIONS – MOUNTING ARM LENGTH, LIGHT DISTRIBUTION, HOUSE-SIDE SHIELD, PHOTOCCELL, INTEGRAL MOTION SENSOR, AND ANSI 7-PIN RECEPTACLE.

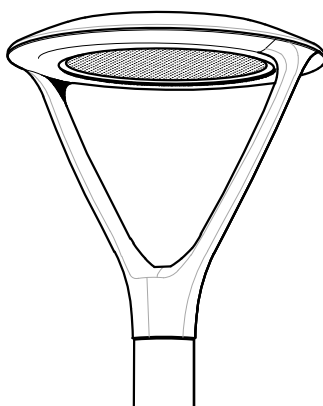
LED AREA LUMINAIRE

REVISED:

NOVEMBER 2020

LUMINAIRE PLATE:

XL-2



NOTE: THIS SKETCH IS A NON-PROPRIETARY GRAPHIC REPRESENTATION OF A LUMINAIRE THAT MAY MEET THE SPECIFICATION REQUIREMENTS. IT IS NOT INTENDED TO INDICATE A CERTAIN MANUFACTURER OR PREFERENCE.

LUMINAIRE REQUIREMENTS:

1. HOUSING – DIE-CAST ALUMINUM HOUSING WITH POWDER COAT FINISH.
2. OPTICS – INJECTION MOLDED OPTICS WITH TYPE I, II, III, IV, OR V DISTRIBUTIONS. BUG UPLIGHT RATING OF U0, WITH GLARE RATING AS DETERMINED BY LIGHTING ZONE INSTALLED.
3. LIGHT SOURCE – SOLID STATE LEDS, 3000K CCT U0N, MINIMUM 70 CRI U0N, AND MINIMUM EFFICACY OF 90 LUMENS/WATT U0N. INITIAL LUMEN OUTPUT AS INDICATED IN LUMINAIRE SCHEDULE.
4. DRIVER – REPLACEABLE, INTEGRAL, HIGH-EFFICIENCY DIMMABLE DRIVER WITH MINIMUM 0.9 PF, OPERATING VOLTAGE OF 120-277V, THERMAL MANAGEMENT, AND < 20% THD. ON-OFF CONTROL OR AS INDICATED IN LUMINAIRE SCHEDULE. MEETS ELEVATED 10KV/10KA REQUIREMENTS PER IEEE.
5. CERTIFICATION – UL LISTED FOR WET LOCATION, ROHS COMPLIANT. COMPLIES WITH IES LM79, LM80 AND TM21 TESTING STANDARDS.
6. MOUNTING – ARM-MOUNTED ON POLE.
7. OPTIONS – MOUNTING ARM LENGTH, LIGHT DISTRIBUTION, HOUSE-SIDE SHIELD, PHOTOCCELL, INTEGRAL MOTION SENSOR, AND ANSI 7-PIN RECEPTACLE.

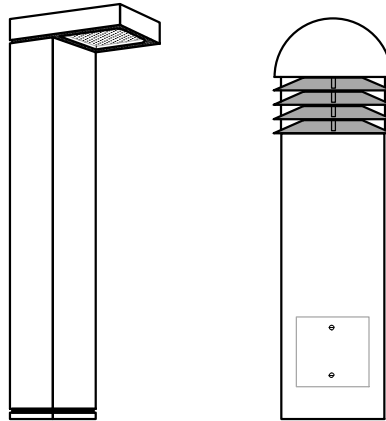
LED PEDESTRIAN LUMINAIRE

REVISED:

NOVEMBER 2020

LIGHTING PLATE:

XL-3



NOTE: THIS SKETCH IS A NON-PROPRIETARY GRAPHIC REPRESENTATION OF A LUMINAIRE THAT MAY MEET THE SPECIFICATION REQUIREMENTS. IT IS NOT INTENDED TO INDICATE A CERTAIN MANUFACTURER OR PREFERENCE.

LUMINAIRE REQUIREMENTS:

1. HOUSING – DIE-CAST ALUMINUM HOUSING WITH POWDER COAT FINISH.
2. OPTICS – BUG UPLIGHT RATING OF U0.
3. LIGHT SOURCE – SOLID STATE LEDS, 3000K CCT UON, MINIMUM 80 CRI UON, AND MINIMUM EFFICACY OF 20 LUMENS/WATT UON. INITIAL LUMEN OUTPUT AS INDICATED IN LUMINAIRE SCHEDULE.
4. DRIVER – REPLACEABLE, INTEGRAL, HIGH-EFFICIENCY DIMMABLE DRIVER WITH MINIMUM 0.9 PF, OPERATING VOLTAGE OF 120-277V, THERMAL MANAGEMENT, AND < 20% THD. ON-OFF CONTROL AND FULLY DIMMABLE DOWN TO 10% MINIMUM OR AS INDICATED IN LUMINAIRE SCHEDULE.
5. CERTIFICATION – UL LISTED FOR WET LOCATION, ROHS COMPLIANT. COMPLIES WITH IES LM79, LM80 AND TM21 TESTING STANDARDS.
6. MOUNTING – ALUMINUM BASE PLATE FOR MOUNTING ON GROUND SOCKET, CONCRETE ANCHOR, OR MOUNTING PLATE.
7. OPTIONS – EMERGENCY BATTERY BACK-UP, SHAPE, FINISH, HEIGHT, AND LIGHT DISTRIBUTION.

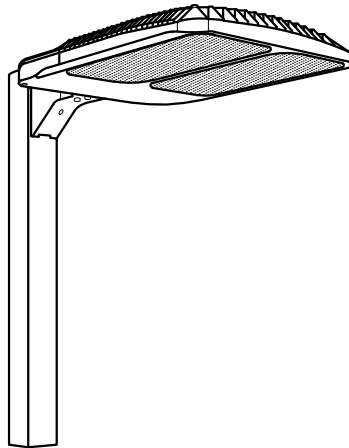
LED ILLUMINATED BOLLARD

REVISED:

NOVEMBER 2020

LIGHTING PLATE:

XL-4



NOTE: THIS SKETCH IS A NON-PROPRIETARY GRAPHIC REPRESENTATION OF A LUMINAIRE THAT MAY MEET THE SPECIFICATION REQUIREMENTS. IT IS NOT INTENDED TO INDICATE A CERTAIN MANUFACTURER OR PREFERENCE.

LUMINAIRE REQUIREMENTS:

1. HOUSING – DIE-CAST ALUMINUM HOUSING WITH POWDER COAT FINISH.
2. OPTICS – INJECTION MOLDED OPTICS WITH TYPE I, II, III, IV, OR V DISTRIBUTIONS. BUG UPLIGHT RATING OF U0, WITH GLARE RATING AS DETERMINED BY LIGHTING ZONE INSTALLED.
3. LIGHT SOURCE – SOLID STATE LEDS, 3000K CCT UON, MINIMUM 70 CRI UON, AND MINIMUM EFFICACY OF 100 LUMENS/WATT UON. INITIAL LUMEN OUTPUT AS INDICATED IN LUMINAIRE SCHEDULE.
4. DRIVER – REPLACEABLE, INTEGRAL, HIGH-EFFICIENCY DIMMABLE DRIVER WITH THERMAL MANAGEMENT. ON-OFF CONTROL AND FULLY DIMMABLE DOWN TO 10% MINIMUM OR AS INDICATED IN LUMINAIRE SCHEDULE. MEETS ELEVATED 10KV/10KA REQUIREMENTS PER IEEE.
5. CERTIFICATION – UL LISTED FOR WET LOCATION, ROHS COMPLIANT. COMPLIES WITH IES LM79, LM80 AND TM21 TESTING STANDARDS.
6. MOUNTING – ARM-MOUNTED ON POLE.
7. OPTIONS – MOUNTING ARM LENGTH, LIGHT DISTRIBUTION, HOUSE-SIDE SHIELD, PHOTOCCELL, INTEGRAL MOTION SENSOR, AND ANSI 7-PIN RECEPTACLE.

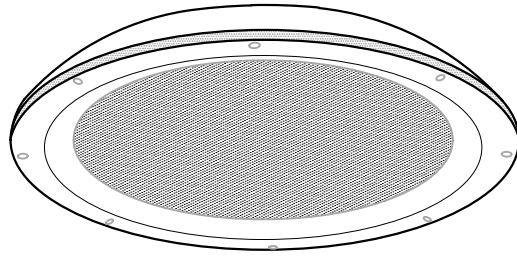
LED PARKING LOT LUMINAIRE

REVISED:

NOVEMBER 2020

LIGHTING PLATE:

XL-5



NOTE: THIS SKETCH IS A NON-PROPRIETARY GRAPHIC REPRESENTATION OF A LUMINAIRE THAT MAY MEET THE SPECIFICATION REQUIREMENTS. IT IS NOT INTENDED TO INDICATE A CERTAIN MANUFACTURER OR PREFERENCE.

LUMINAIRE REQUIREMENTS:

1. HOUSING – DIE-CAST ALUMINUM HOUSING WITH POWDER COAT FINISH.
2. OPTICS – INJECTION MOLDED ACRYLIC EDGE-LIT LENS.
3. LIGHT SOURCE – SOLID STATE LEDS, 3000K CCT UON MINIMUM 80 CRI UON, AND MINIMUM EFFICACY OF 110 LUMENS/WATT UON. INITIAL LUMEN OUTPUT AS INDICATED IN LUMINAIRE SCHEDULE.
4. DRIVER – REPLACEABLE, INTEGRAL, HIGH-EFFICIENCY DIMMABLE DRIVER WITH MINIMUM 0.9 PF, OPERATING VOLTAGE OF 120-277V, THERMAL MANAGEMENT, AND < 20% THD. ON/OFF CONTROL AND DIMMABLE AS INDICATED IN LUMINAIRE SCHEDULE.
5. CERTIFICATION – UL LISTED FOR DAMP LOCATION, ROHS COMPLIANT. COMPLIES WITH IES LM79, LM80 AND TM21 TESTING STANDARDS.
6. MOUNTING – SURFACE MOUNTED WITH STAINLESS STEEL MOUNTING HARDWARE.
7. OPTIONS – INTEGRAL MOTION SENSOR, PHOTOCCELL, EMERGENCY BATTERY BACK-UP.

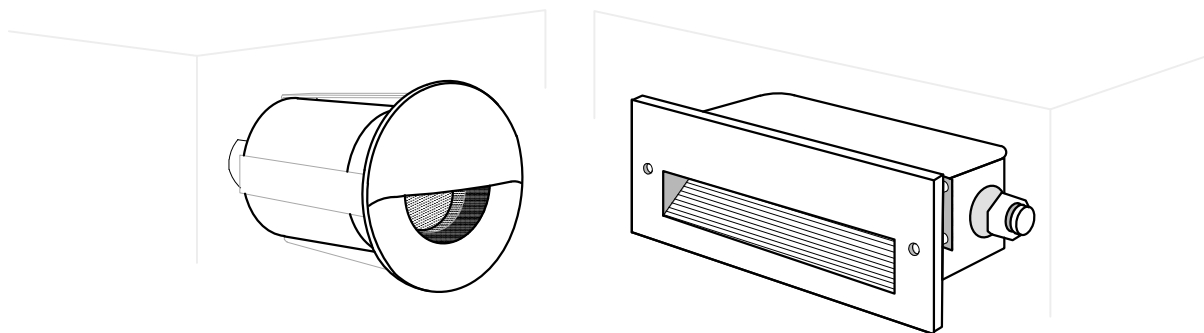
LED PARKING GARAGE LUMINAIRE

REVISED:

NOVEMBER 2020

LIGHTING PLATE:

XL-6



NOTE: THIS SKETCH IS A NON-PROPRIETARY GRAPHIC REPRESENTATION OF A LUMINAIRE THAT MAY MEET THE SPECIFICATION REQUIREMENTS. IT IS NOT INTENDED TO INDICATE A CERTAIN MANUFACTURER OR PREFERENCE.

LUMINAIRE REQUIREMENTS:

1. HOUSING – DIE-CAST ALUMINUM HOUSING.
2. OPTICS – ALUMINUM REFLECTOR. BUG RATING AS INDICATED IN LUMINAIRE SCHEDULE.
3. LIGHT SOURCE – SOLID STATE LEDS, 3000K CCT UON, MINIMUM 80 CRI UON, AND MINIMUM EFFICACY OF 5 LUMENS/WATT UON. INITIAL LUMEN OUTPUT AS INDICATED IN LUMINAIRE SCHEDULE.
4. DRIVER – REPLACEABLE, INTEGRAL, HIGH-EFFICIENCY DIMMABLE DRIVER WITH MINIMUM 0.9 PF, OPERATING VOLTAGE OF 120-277V, THERMAL MANAGEMENT, AND < 20% THD. ON-OFF CONTROL AND FULLY DIMMABLE DOWN TO 10% MINIMUM OR AS INDICATED IN LUMINAIRE SCHEDULE.
5. CERTIFICATION – UL LISTED FOR WET LOCATION, ROHS COMPLIANT. COMPLIES WITH IES LM79, LM80 AND TM21 TESTING STANDARDS.
6. MOUNTING – CAVITY WALL CONSTRUCTION OR CONCRETE POUR CONSTRUCTION.
7. OPTIONS – LENSES, BODY SHAPE AND STYLE, AND LIGHT DISTRIBUTION.

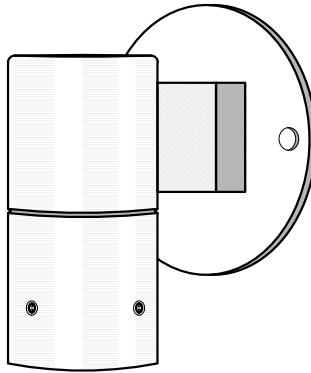
LED EXTERIOR STEP LIGHT

REVISED:

NOVEMBER 2020

LIGHTING PLATE:

XL-7



NOTE: THIS SKETCH IS A NON-PROPRIETARY GRAPHIC REPRESENTATION OF A LUMINAIRE THAT MAY MEET THE SPECIFICATION REQUIREMENTS. IT IS NOT INTENDED TO INDICATE A CERTAIN MANUFACTURER OR PREFERENCE.

LUMINAIRE REQUIREMENTS:

1. HOUSING – ALUMINUM HOUSING OR STAINLESS STEEL HOUSING.
2. OPTICS – DIFFUSE VANDAL-RESISTANT ACRYLIC LENS. BUG UPLIGHT RATING OF U0, WITH GLARE RATING AS DETERMINED BY LIGHTING ZONE INSTALLED.
3. LIGHT SOURCE – SOLID STATE LEDS, 3000K CCT UON, MINIMUM 80 CRI UON, AND MINIMUM EFFICACY OF 50 LUMENS/WATT UON. INITIAL LUMEN OUTPUT AS INDICATED IN LUMINAIRE SCHEDULE.
4. DRIVER – REPLACEABLE, INTEGRAL, HIGH-EFFICIENCY DIMMABLE DRIVER WITH MINIMUM 0.9 PF, OPERATING VOLTAGE OF 120 OR 277V, THERMAL MANAGEMENT, AND < 20% THD. ON-OFF CONTROL AND FULLY DIMMABLE DOWN TO 10% MINIMUM OR AS INDICATED IN LUMINAIRE SCHEDULE.
5. CERTIFICATION – UL LISTED FOR WET LOCATION, ROHS COMPLIANT. COMPLIES WITH IES LM79, LM80 AND TM21 TESTING STANDARDS.
6. MOUNTING – SURFACE MOUNTED WITH STAINLESS STEEL MOUNTING HARDWARE.
7. OPTIONS – VARIOUS PROFILES AND SHAPES. OPTIONAL UPLIGHT COMPONENT IF MOUNTED UNDER CANOPY.

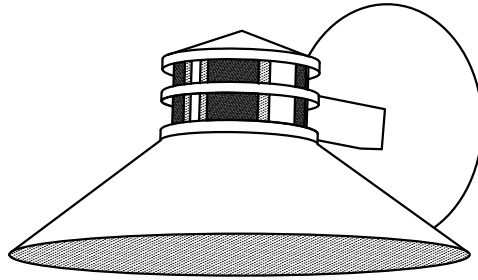
LED EXTERIOR WALL SCONCE

REVISED:

NOVEMBER 2020

LIGHTING PLATE:

XL-8



NOTE: THIS SKETCH IS A NON-PROPRIETARY GRAPHIC REPRESENTATION OF A LUMINAIRE THAT MAY MEET THE SPECIFICATION REQUIREMENTS. IT IS NOT INTENDED TO INDICATE A CERTAIN MANUFACTURER OR PREFERENCE.

LUMINAIRE REQUIREMENTS:

1. HOUSING – DIE-CAST ALUMINUM HOUSING WITH POWDER COAT FINISH.
2. OPTICS – DIFFUSE VANDAL-RESISTANT ACRYLIC LENS. BUG UPLIGHT RATING OF U0, WITH GLARE RATING AS DETERMINED BY LIGHTING ZONE INSTALLED.
3. LIGHT SOURCE – SOLID STATE LEDS, 3000K CCT UON, MINIMUM 80 CRI UON, AND MINIMUM EFFICACY OF 50 LUMENS/WATT UON. INITIAL LUMEN OUTPUT AS INDICATED IN LUMINAIRE SCHEDULE.
4. DRIVER – REPLACEABLE, INTEGRAL, HIGH-EFFICIENCY DIMMABLE DRIVER WITH MINIMUM 0.9 PF, OPERATING VOLTAGE OF 120 OR 277V, THERMAL MANAGEMENT, AND < 20% THD. ON-OFF CONTROL AND FULLY DIMMABLE DOWN TO 10% MINIMUM OR AS INDICATED IN LUMINAIRE SCHEDULE.
5. CERTIFICATION – UL LISTED FOR WET LOCATION, ROHS COMPLIANT. COMPLIES WITH IES LM79, LM80 AND TM21 TESTING STANDARDS.
6. MOUNTING – SURFACE MOUNTED WITH STAINLESS STEEL MOUNTING HARDWARE.
7. OPTIONS – VARIOUS LENSES, BODY SHAPES, AND STYLES.

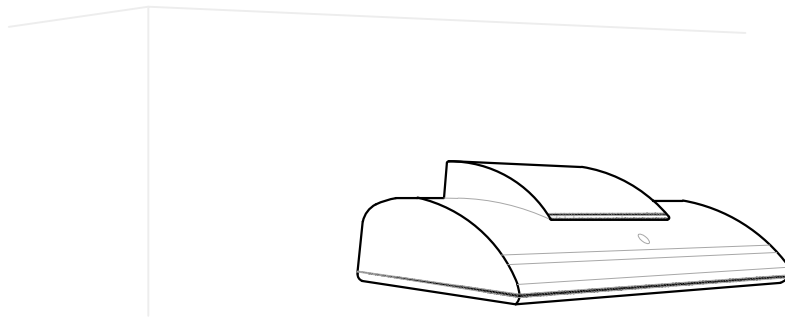
LED EXTERIOR DECORATIVE WALL SCONCE

REVISED:

NOVEMBER 2020

LIGHTING PLATE:

XL-9



NOTE: THIS SKETCH IS A NON-PROPRIETARY GRAPHIC REPRESENTATION OF A LUMINAIRE THAT MAY MEET THE SPECIFICATION REQUIREMENTS. IT IS NOT INTENDED TO INDICATE A CERTAIN MANUFACTURER OR PREFERENCE.

LUMINAIRE REQUIREMENTS:

1. HOUSING – DIE-CAST OR EXTRUDED ALUMINUM WITH INTEGRAL PASSIVE COOLING MECHANISM. HEAT SINK INCORPORATED DIRECTLY INTO HOUSING OR DRIVER COMPARTMENT.
2. OPTICS – PRECISION MOLDED ACRYLIC LENS WITH TYPE II, III, OR IV DISTRIBUTIONS. BUG UPLIGHT RATING OF U0, WITH GLARE RATING AS DETERMINED BY LIGHTING ZONE INSTALLED.
3. LIGHT SOURCE – SOLID STATE LEDS, 3000K CCT UON, MINIMUM 70 CRI UON, AND MINIMUM EFFICACY OF 80 LUMENS/WATT UON. INITIAL LUMEN OUTPUT AS INDICATED IN LUMINAIRE SCHEDULE.
4. DRIVER – REPLACEABLE, INTEGRAL, HIGH-EFFICIENCY DIMMABLE DRIVER WITH MINIMUM 0.9 PF, OPERATING VOLTAGE OF 120-277V, THERMAL MANAGEMENT, AND < 20% THD. ON-OFF CONTROL AND FULLY DIMMABLE DOWN TO 10% MINIMUM OR AS INDICATED IN LUMINAIRE SCHEDULE.
5. CERTIFICATION – UL LISTED FOR WET LOCATION, ROHS COMPLIANT. COMPLIES WITH IES LM79, LM80 AND TM21 TESTING STANDARDS.
6. MOUNTING – SURFACE MOUNTED WITH STAINLESS STEEL MOUNTING HARDWARE.
7. OPTIONS – VARIOUS LIGHT DISTRIBUTIONS. INTEGRAL MOTION SENSOR, PHOTOCCELL, BATTERY BACK-UP.

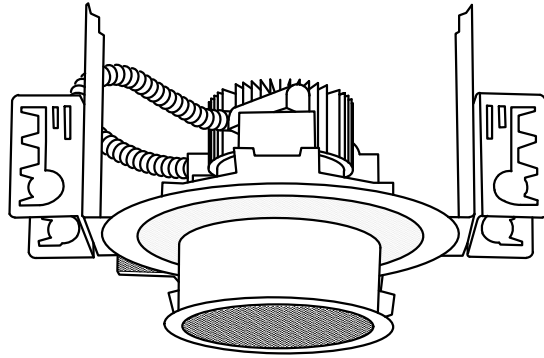
LED WALL PACK

REVISED:

NOVEMBER 2020

LUMINAIRE PLATE:

XL-10



NOTE: THIS SKETCH IS A NON-PROPRIETARY GRAPHIC REPRESENTATION OF A LUMINAIRE THAT MAY MEET THE SPECIFICATION REQUIREMENTS. IT IS NOT INTENDED TO INDICATE A CERTAIN MANUFACTURER OR PREFERENCE.

LUMINAIRE REQUIREMENTS:

1. HOUSING – HEAVY GAUGE COLD ROLLED STEEL AND DIE CAST ALUMINUM WITH POWDER COATING FINISH.
2. OPTICS – ACRYLIC LENS.
3. LIGHT SOURCE – SOLID STATE LEDS, 3000K CCT UON, MINIMUM 80 CRI UON, AND MINIMUM EFFICACY OF 90 LUMENS/WATT UON. INITIAL LUMEN OUTPUT AS INDICATED IN LUMINAIRE SCHEDULE.
4. DRIVER – REPLACEABLE, INTEGRAL, HIGH-EFFICIENCY DIMMABLE DRIVER WITH MINIMUM 0.9 PF, OPERATING VOLTAGE OF 120 OR 277V, THERMAL MANAGEMENT, AND < 20% THD. ON-OFF CONTROL AND FULLY DIMMABLE DOWN TO 10% MINIMUM OR AS INDICATED IN LUMINAIRE SCHEDULE.
5. CERTIFICATION – UL LISTED FOR DAMP OR WET LOCATION, ROHS COMPLIANT. COMPLIES WITH IES LM79, LM80 AND TM21 TESTING STANDARDS.
6. MOUNTING – RECESSED IN HARD CEILINGS.
7. OPTIONS – EMERGENCY BATTERY BACK-UP, VARIOUS ACRYLIC OR POLYCARBONATE LENSES, REFLECTORS, LOUVERS AND TRIMS. VARIOUS BEAM ANGLES.

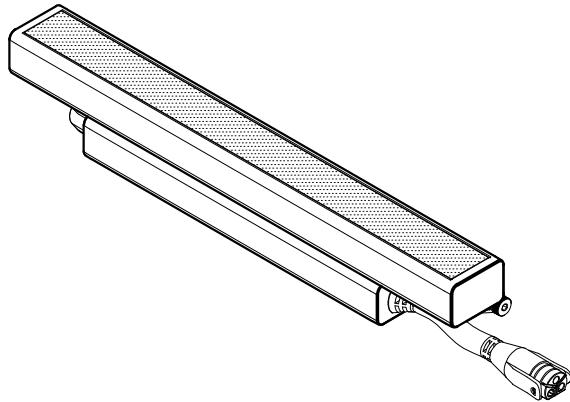
EXTERIOR RECESSED DOWNLIGHT

REVISED:

NOVEMBER 2020

LIGHTING PLATE:

XL-11



NOTE: THIS SKETCH IS A NON-PROPRIETARY GRAPHIC REPRESENTATION OF A LUMINAIRE THAT MAY MEET THE SPECIFICATION REQUIREMENTS. IT IS NOT INTENDED TO INDICATE A CERTAIN MANUFACTURER OR PREFERENCE.

LUMINAIRE REQUIREMENTS:

1. HOUSING – EXTRUDED ALUMINUM WITH DIE-CAST END CAPS AND INTEGRAL PASSIVE COOLING MECHANISM. FIELD ADJUSTABLE AIMING.
2. OPTICS – PRECISION MOLDED ACRYLIC LIGHT BAR INCORPORATES MULTIPLE HIGH-POWERED LEDs. BUG RATING AS DETERMINED BY LIGHTING ZONE INSTALLED.
3. LIGHT SOURCE – SOLID STATE LEDs, 3000K CCT UON, MINIMUM 80 CRI UON, AND MINIMUM EFFICACY OF 70 LUMENS/WATT UON. INITIAL LUMEN OUTPUT AS INDICATED IN LUMINAIRE SCHEDULE.
4. DRIVER – REPLACEABLE, INTEGRAL, HIGH-EFFICIENCY DIMMABLE DRIVER WITH MINIMUM 0.9 PF, OPERATING VOLTAGE OF 120-277V, THERMAL MANAGEMENT, AND < 20% THD. ON-OFF CONTROL AND FULLY DIMMABLE DOWN TO 10% MINIMUM OR AS INDICATED IN LUMINAIRE SCHEDULE.
5. CERTIFICATION – UL LISTED FOR WET LOCATION, ROHS COMPLIANT. COMPLIES WITH IES LM79, LM80 AND TM21 TESTING STANDARDS.
6. MOUNTING – SUITABLE FOR PROJECT SPECIFICATIONS.
7. OPTIONS – RGBW COLOR CHANGING, VARIOUS BEAM ANGLES.

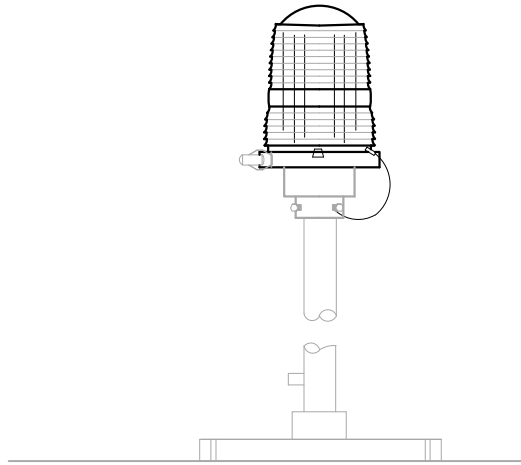
LED LINEAR WALL WASH

REVISED:

NOVEMBER 2020

LIGHTING PLATE:

XL-12



NOTE: THIS SKETCH IS A NON-PROPRIETARY GRAPHIC REPRESENTATION OF A LUMINAIRE THAT MAY MEET THE SPECIFICATION REQUIREMENTS. IT IS NOT INTENDED TO INDICATE A CERTAIN MANUFACTURER OR PREFERENCE.

LUMINAIRE REQUIREMENTS:

1. HOUSING – DIE-CAST ALUMINUM WITH POLYESTER POWDER COAT FINISH AND STAINLESS STEEL HARDWARE.
2. OPTICS – GLOBE IS TEMPERED RED OR CLEAR FRESNEL GLASS WITH STAINLESS STEEL LATCHING SYSTEM TO HOLD GLOBE FIRMLY ONTO BASE. PROVIDE CABLE TETHER WIRE.
3. LIGHT SOURCE – SOLID STATE LEDS, RED AND MINIMUM EFFICACY OF 90 LUMENS/WATT UON. INITIAL LUMEN OUTPUT AS INDICATED IN LUMINAIRE SCHEDULE.
4. DRIVER – REPLACEABLE, INTEGRAL, HIGH-EFFICIENCY DRIVER WITH MINIMUM 0.9 PF, OPERATING VOLTAGE OF 120-240V, THERMAL MANAGEMENT, AND < 20% THD. ON-OFF CONTROL OR AS INDICATED IN LUMINAIRE SCHEDULE.
5. CERTIFICATION – FAA L810 PER FAA ADVISORY CIRCULAR 150/5345-43G. UL LISTED FOR WET LOCATION, ROHS COMPLIANT, DLC QUALIFIED. COMPLIES WITH LM79, LM80 AND TM21 TESTING STANDARDS.
6. MOUNTING – MOUNTING – GROUND MOUNTED WITH 3/4 IN OR 1 IN BOTTOM CONDUIT ENTRY.
7. OPTIONS – SINGLE OR TWIN GLOBE.

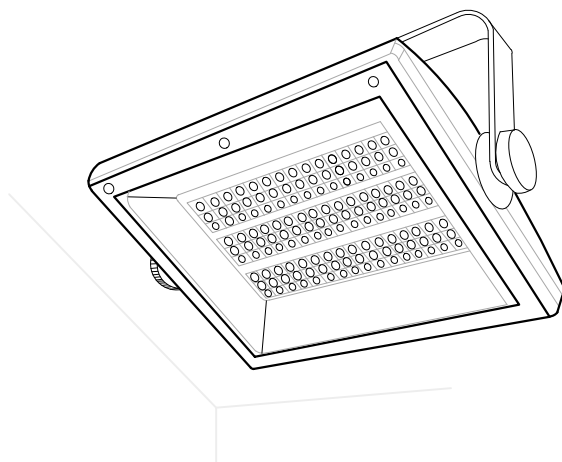
AVIATION OBSTRUCTION LUMINAIRE

REVISED:

NOVEMBER 2020

LIGHTING PLATE:

XL-13



NOTE: THIS SKETCH IS A NON-PROPRIETARY GRAPHIC REPRESENTATION OF A LUMINAIRE THAT MAY MEET THE SPECIFICATION REQUIREMENTS. IT IS NOT INTENDED TO INDICATE A CERTAIN MANUFACTURER OR PREFERENCE.

LUMINAIRE REQUIREMENTS:

1. HOUSING – DIE-CAST ALUMINUM HOUSING WITH POWDER COAT FINISH.
2. OPTICS – TEMPERED GLASS LENS. BUG RATING AS DETERMINED BY LIGHTING ZONE INSTALLED.
3. LIGHT SOURCE – SOLID STATE LEDS, 3000K CCT UON, MINIMUM 80 CRI UON, AND MINIMUM EFFICACY OF 70 LUMENS/WATT UON. INITIAL LUMEN OUTPUT AS INDICATED IN LUMINAIRE SCHEDULE.
4. DRIVER – REPLACEABLE, INTEGRAL, HIGH-EFFICIENCY DIMMABLE DRIVER WITH MINIMUM 0.9 PF, OPERATING VOLTAGE OF 120-277V, THERMAL MANAGEMENT, AND < 20% THD. ON-OFF CONTROL AND FULLY DIMMABLE DOWN TO 10% MINIMUM OR AS INDICATED IN LUMINAIRE SCHEDULE.
5. CERTIFICATION – UL LISTED FOR WET LOCATION, ROHS COMPLIANT. COMPLIES WITH IES LM79, LM80 AND TM21 TESTING STANDARDS.
6. MOUNTING – SUITABLE FOR PROJECT SPECIFICATIONS.
7. OPTIONS – RGBW COLOR CHANGING, VARIOUS SHAPES AND SIZES, VARIOUS BEAM ANGLES.

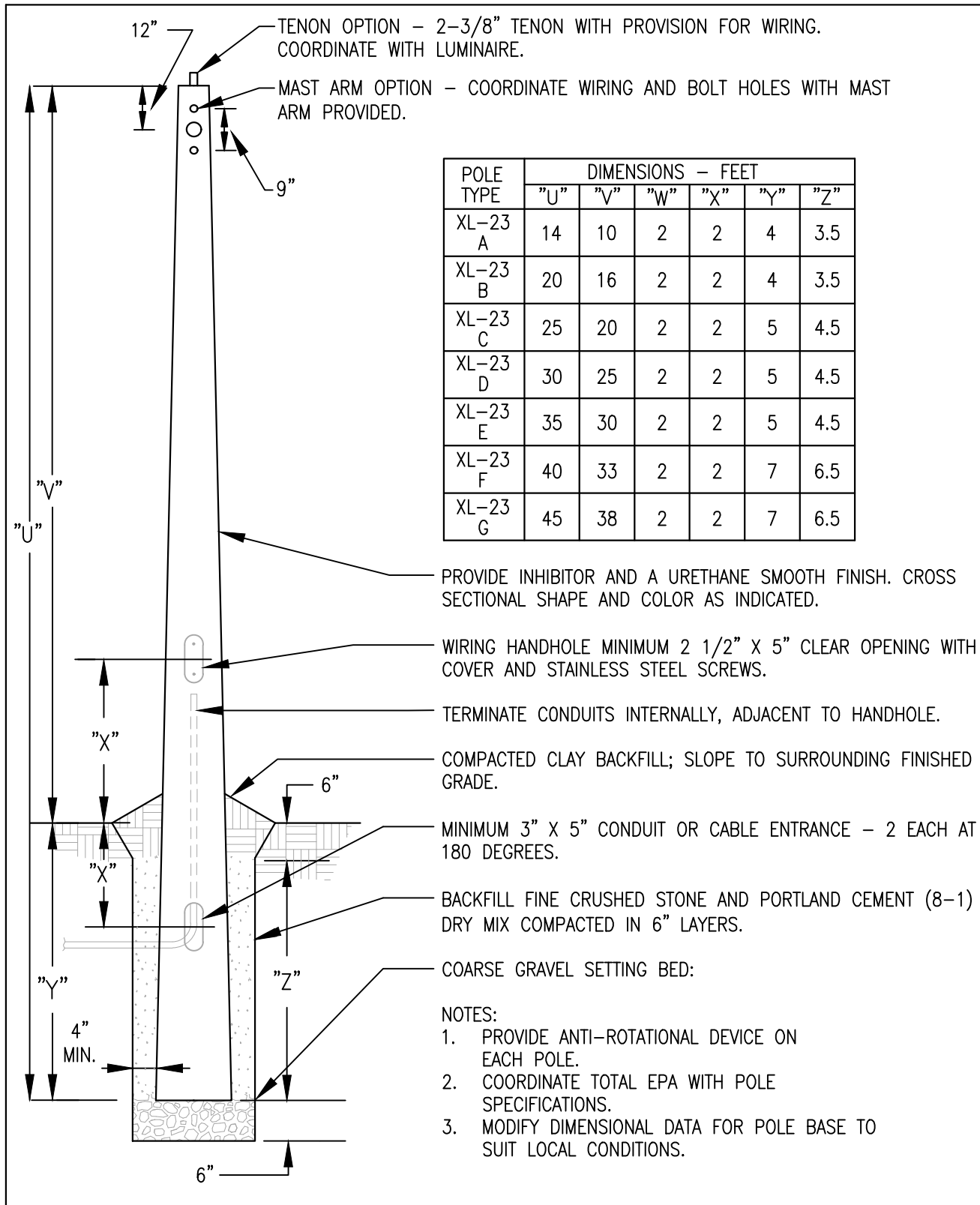
LED FLOOD LUMINAIRE

REVISED:

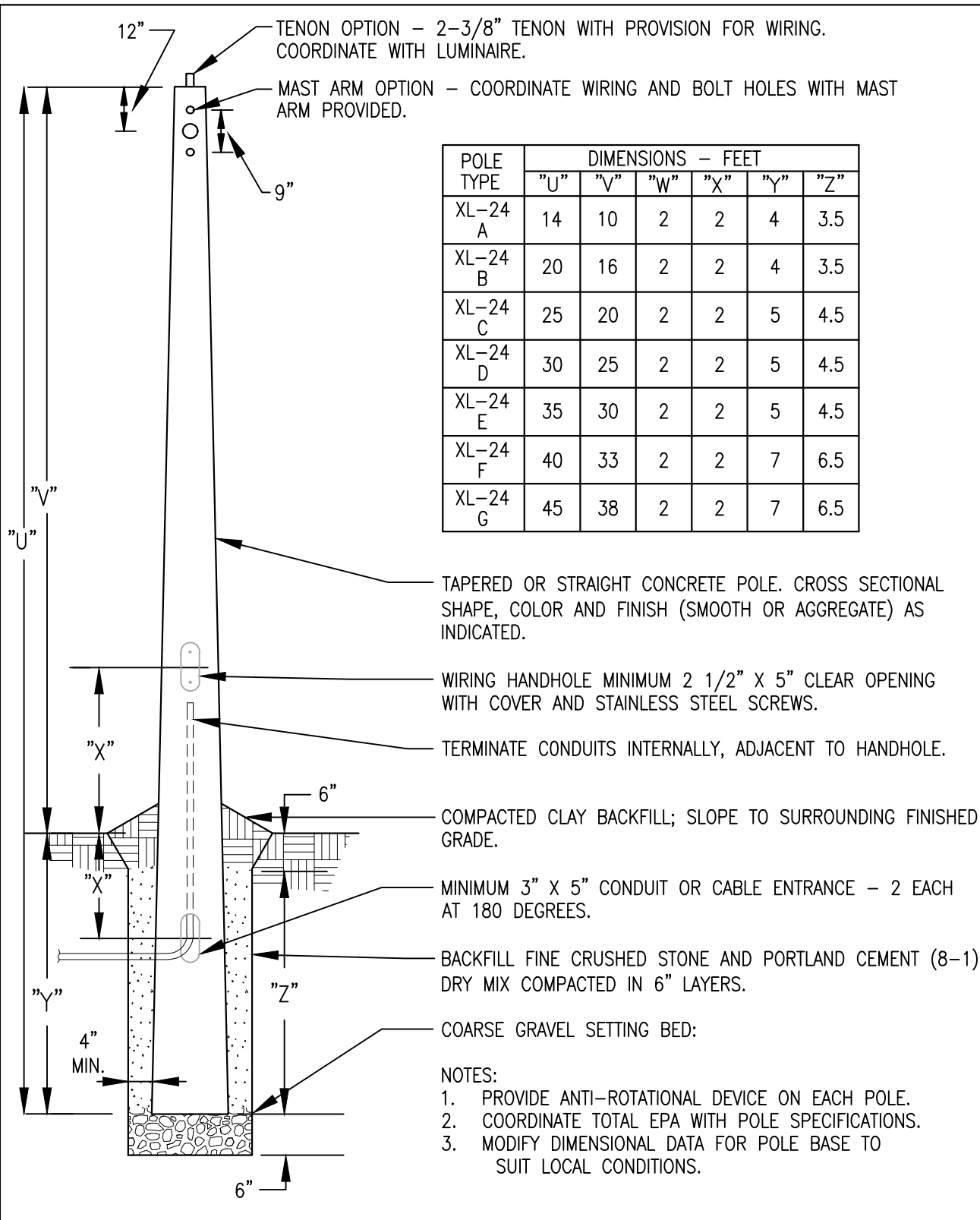
NOVEMBER 2020

LIGHTING PLATE:

XL-14



DIRECT-SET FIBERGLASS POLE

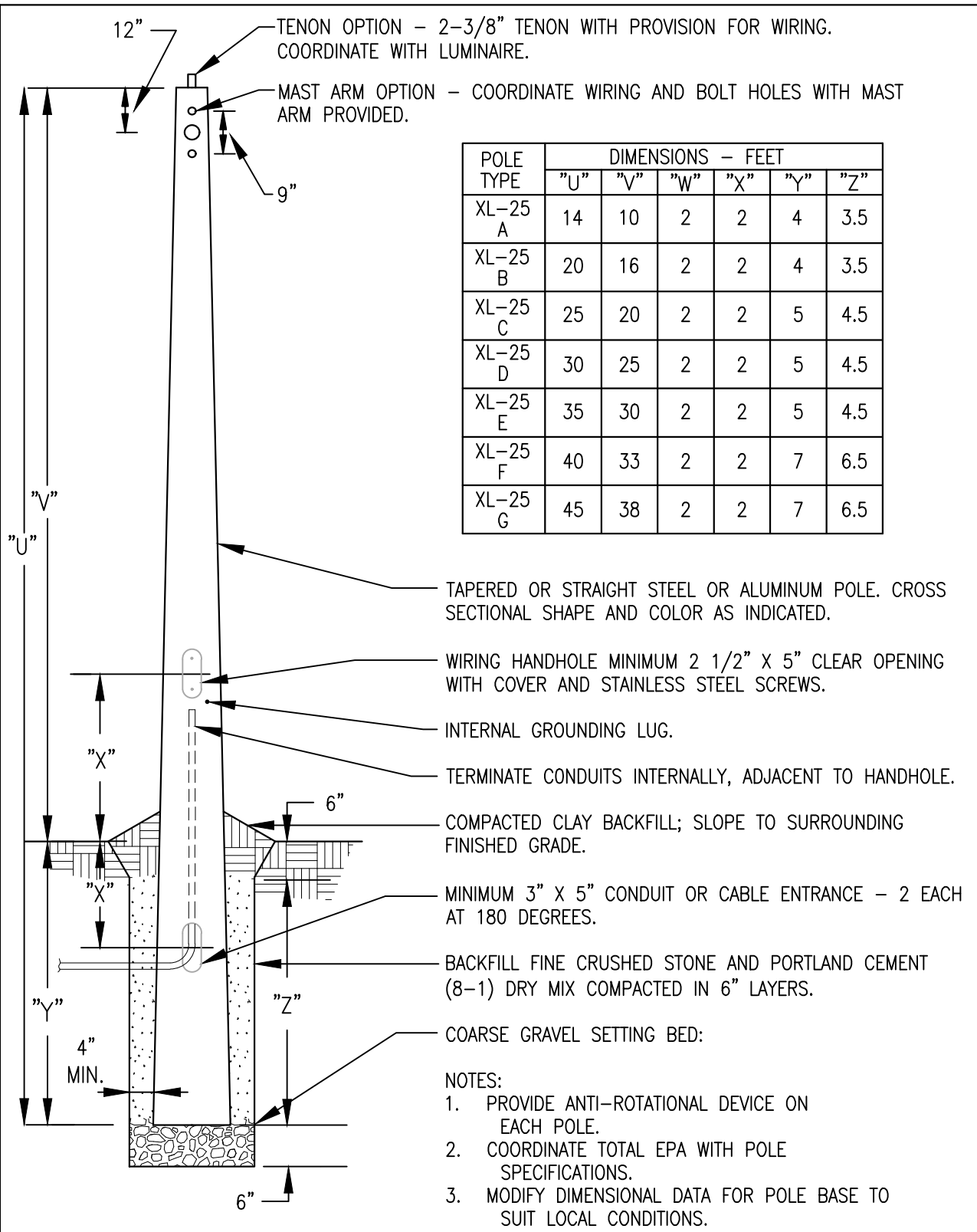


POLE TYPE	DIMENSIONS - FEET					
	"U"	"V"	"W"	"X"	"Y"	"Z"
XL-24 A	14	10	2	2	4	3.5
XL-24 B	20	16	2	2	4	3.5
XL-24 C	25	20	2	2	5	4.5
XL-24 D	30	25	2	2	5	4.5
XL-24 E	35	30	2	2	5	4.5
XL-24 F	40	33	2	2	7	6.5
XL-24 G	45	38	2	2	7	6.5

- TAPERED OR STRAIGHT CONCRETE POLE. CROSS SECTIONAL SHAPE, COLOR AND FINISH (SMOOTH OR AGGREGATE) AS INDICATED.
- WIRING HANDHOLE MINIMUM 2 1/2" X 5" CLEAR OPENING WITH COVER AND STAINLESS STEEL SCREWS.
- TERMINATE CONDUITS INTERNALLY, ADJACENT TO HANDHOLE.
- COMPACTED CLAY BACKFILL; SLOPE TO SURROUNDING FINISHED GRADE.
- MINIMUM 3" X 5" CONDUIT OR CABLE ENTRANCE - 2 EACH AT 180 DEGREES.
- BACKFILL FINE CRUSHED STONE AND PORTLAND CEMENT (8-1) DRY MIX COMPACTED IN 6" LAYERS.
- COARSE GRAVEL SETTING BED:

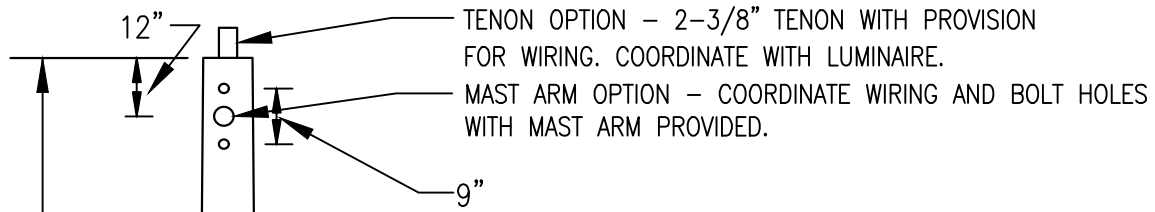
- NOTES:
1. PROVIDE ANTI-ROTATIONAL DEVICE ON EACH POLE.
 2. COORDINATE TOTAL EPA WITH POLE SPECIFICATIONS.
 3. MODIFY DIMENSIONAL DATA FOR POLE BASE TO SUIT LOCAL CONDITIONS.

DIRECT-SET CONCRETE POLE



POLE TYPE	DIMENSIONS - FEET					
	"U"	"V"	"W"	"X"	"Y"	"Z"
XL-25 A	14	10	2	2	4	3.5
XL-25 B	20	16	2	2	4	3.5
XL-25 C	25	20	2	2	5	4.5
XL-25 D	30	25	2	2	5	4.5
XL-25 E	35	30	2	2	5	4.5
XL-25 F	40	33	2	2	7	6.5
XL-25 G	45	38	2	2	7	6.5

DIRECT-SET STEEL/ALUMINUM POLE



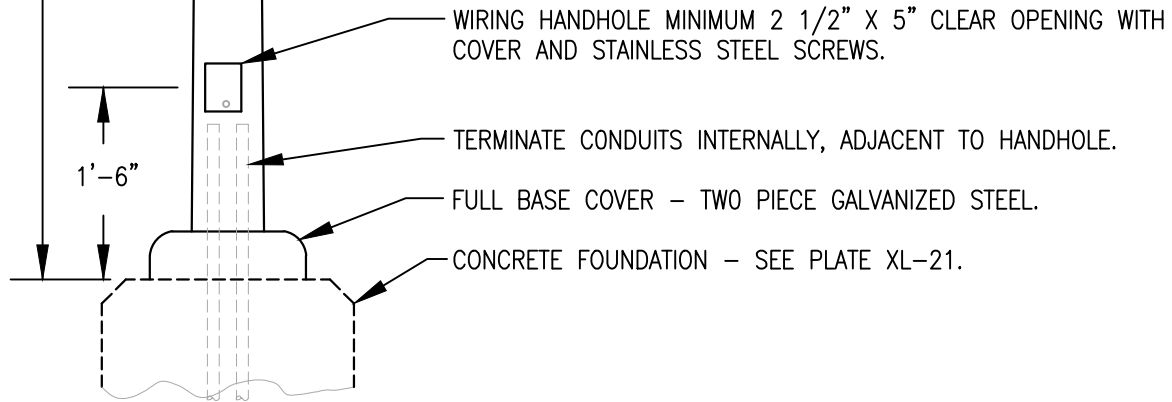
POLE TYPE	DIM "U"
XL-26 A	12
XL-26 B	20
XL-26 C	25
XL-26 D	30
XL-26 E	35
XL-26 F	40
XL-26 G	45

"U"

TAPERED OR STRAIGHT FIBERGLASS POLE. CROSS SECTIONAL SHAPE AND COLOR AS INDICATED.

NOTES:

COORDINATE TOTAL EPA WITH SPECIFICATIONS.



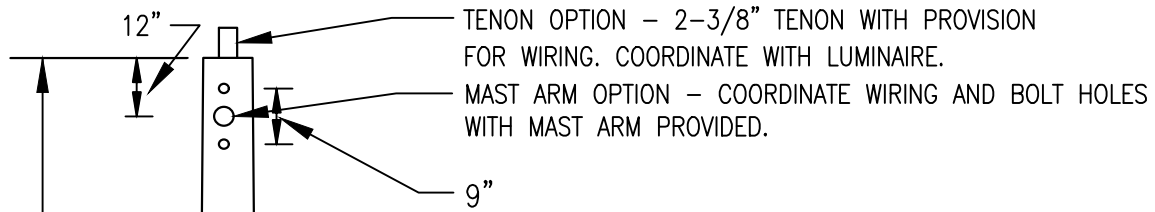
ANCHOR BASE FIBERGLASS POLE

REVISED:

NOVEMBER 2020

LUMINAIRE PLATE:

XL-18



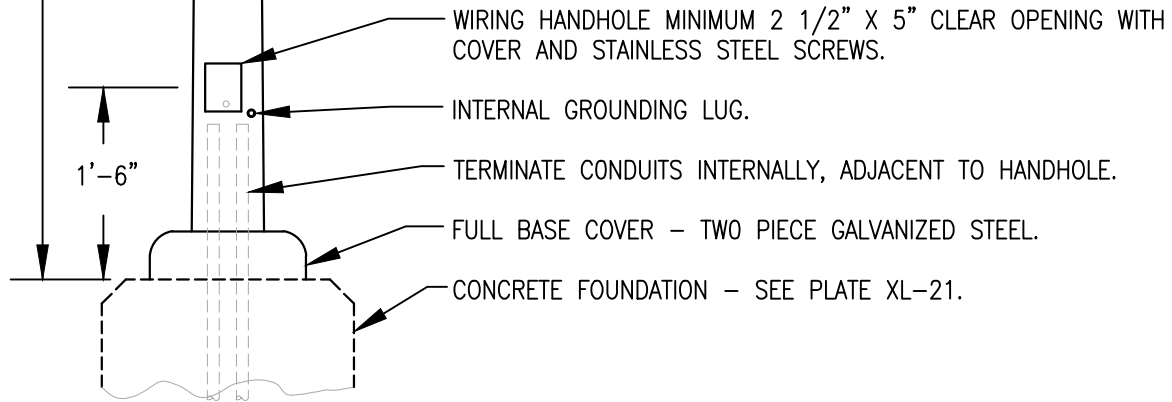
POLE TYPE	DIM "U"
XL-26 A	12
XL-26 B	20
XL-26 C	25
XL-26 D	30
XL-26 E	35
XL-26 F	40
XL-26 G	45

"U"

TAPERED OR STRAIGHT STEEL OR ALUMINUM POLE. CROSS SECTIONAL SHAPE AND COLOR AS INDICATED.

NOTES:

COORDINATE TOTAL EPA WITH SPECIFICATIONS.



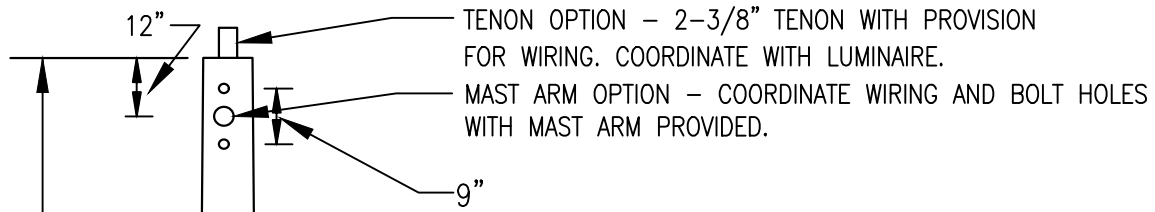
ANCHOR BASE STEEL/ALUMINUM POLE

REVISED:

NOVEMBER 2020

LUMINAIRE PLATE:

XL-19



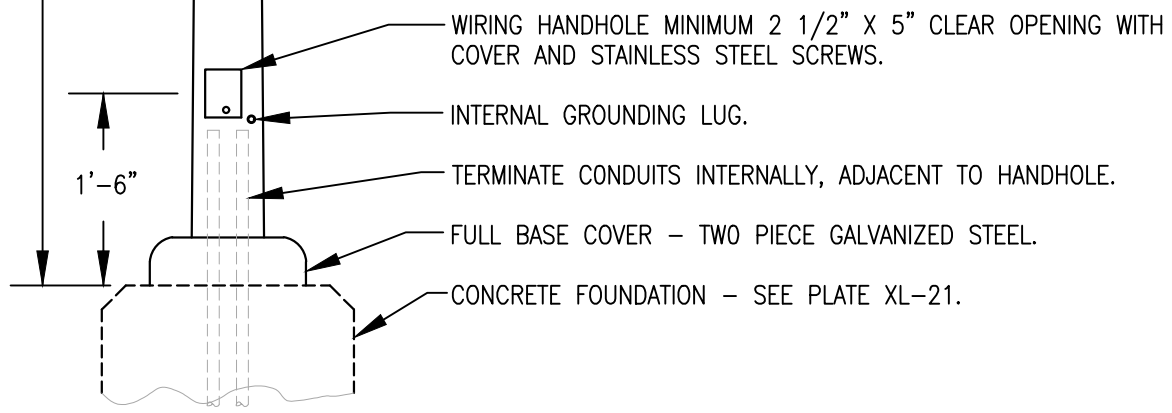
POLE TYPE	DIM "U"
XL-26 A	12
XL-26 B	20
XL-26 C	25
XL-26 D	30
XL-26 E	35
XL-26 F	40
XL-26 G	45

"U"

TAPERED OR STRAIGHT CONCRETE POLE. CROSS SECTIONAL SHAPE, COLOR AND FINISH (SMOOTH OR AGGREGATE) AS INDICATED.

NOTES:

COORDINATE TOTAL EPA WITH SPECIFICATIONS.



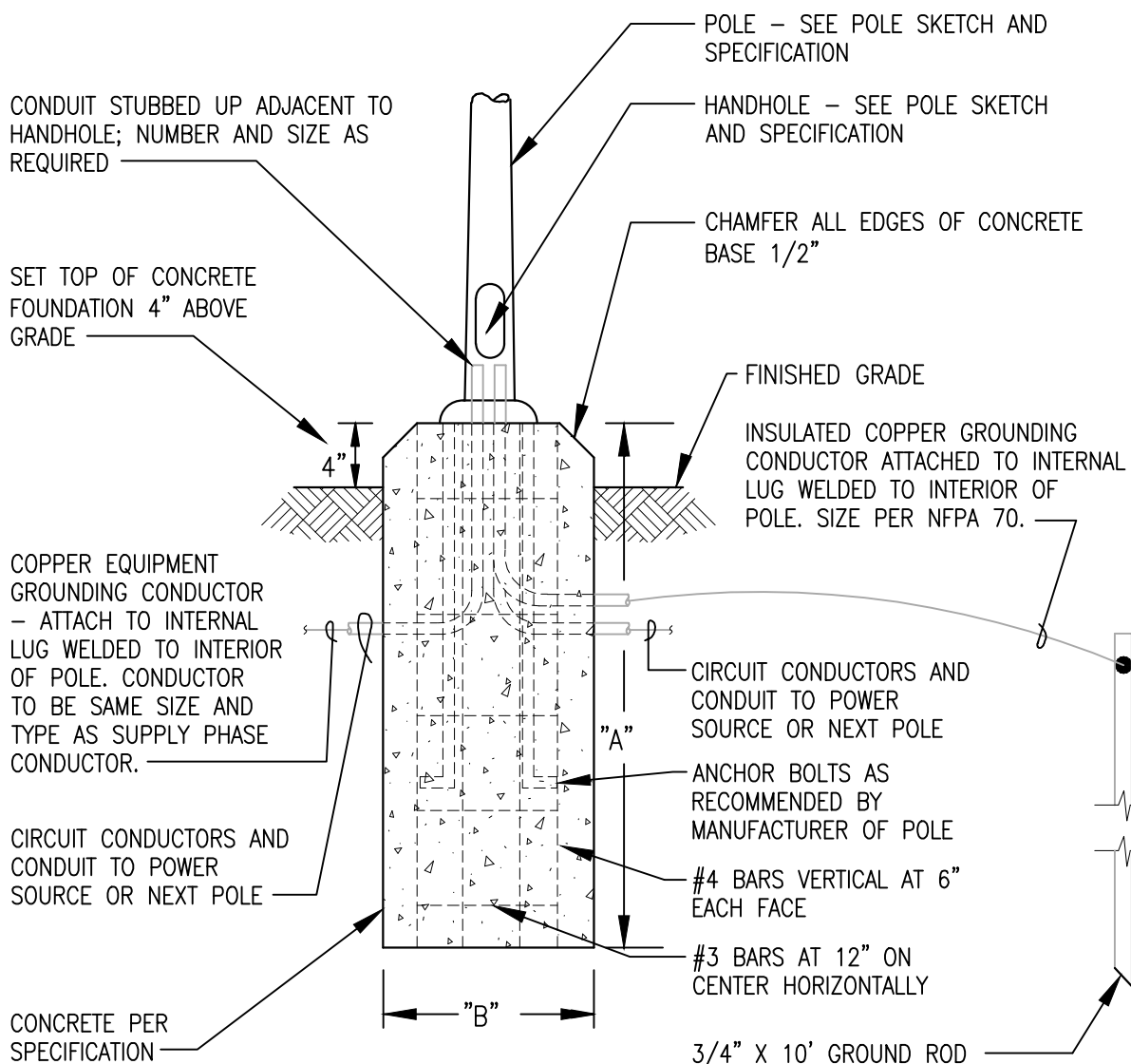
ANCHOR BASE CONCRETE POLE

REVISED:

NOVEMBER 2020

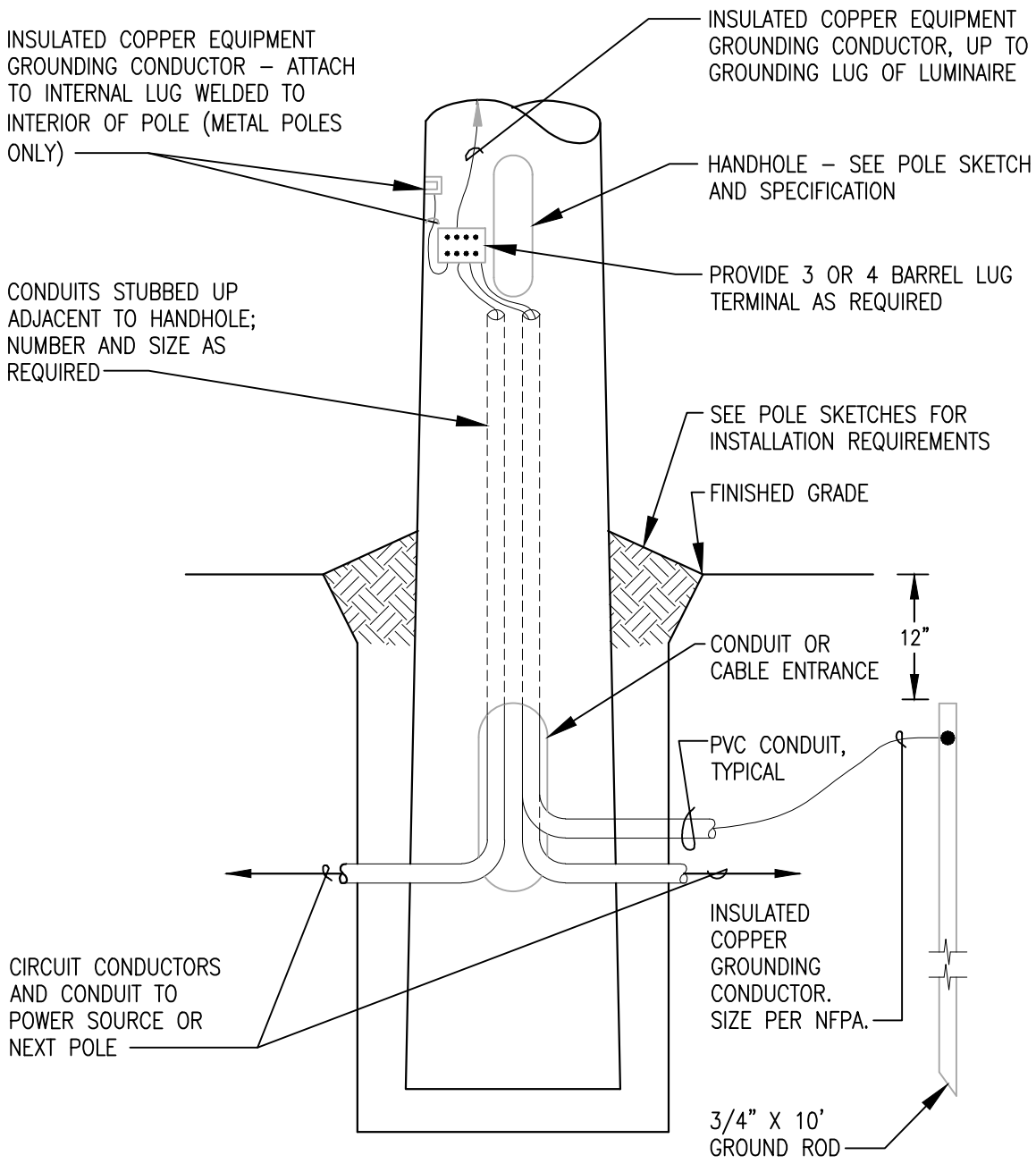
LUMINAIRE PLATE:

XL-20



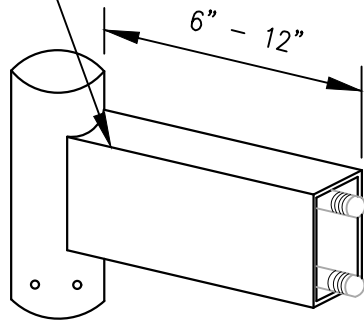
POLE HEIGHT	A	B
8'-12'	36"	12"
13'-20'	42"	16"
21'-30'	72"	24"
31'-40'	78"	30"

ANCHOR BASE POLE FOUNDATION

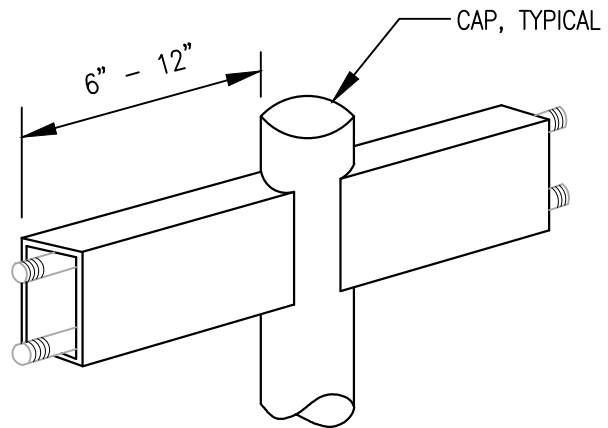


DIRECT SET POLE GROUNDING DETAIL

RECTANGULAR ALUMINUM
EXTRUSION, APPROXIMATELY
2 1/2" X 5"

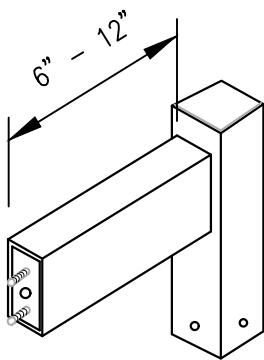


SINGLE ARM MOUNTING "A"
(TENON MOUNT SHOWN)



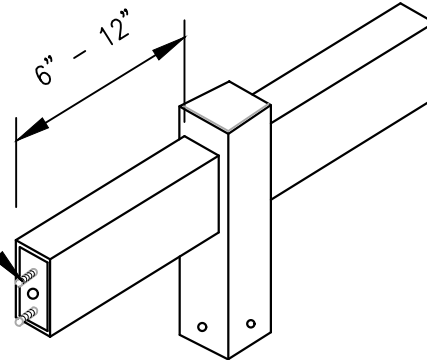
DOUBLE ARM MOUNTING "B"
(MAST ARM MOUNT SHOWN)

ROUND POLE APPLICATION



SINGLE ARM MOUNTING "C"
(TENON MOUNT SHOWN)

1/2" DIA. THREADED
RODS, TYPICAL



DOUBLE ARM MOUNTING "D"
(TENON MOUNT SHOWN)

SQUARE POLE APPLICATION

- NOTES:
1. ALL FASTENERS SHALL BE CONCEALED.
 2. ALL ARMS ARE AVAILABLE IN TENON OR MAST ARM MOUNTING; SPECIFY TYPE DESIRED.

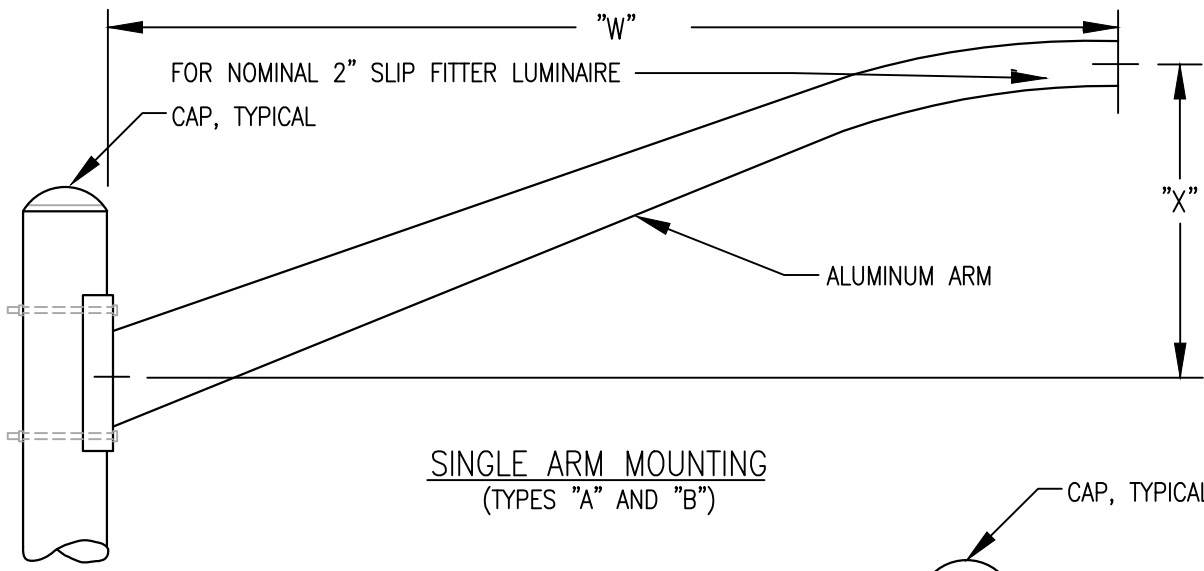
LUMINAIRE MOUNTING ARM DETAILS

REVISED:

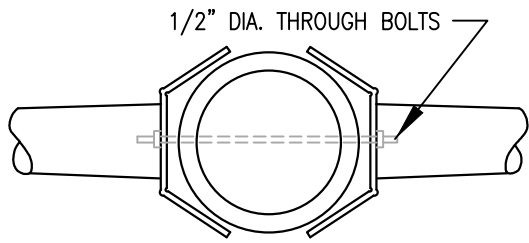
NOVEMBER 2020

LUMINAIRE PLATE:

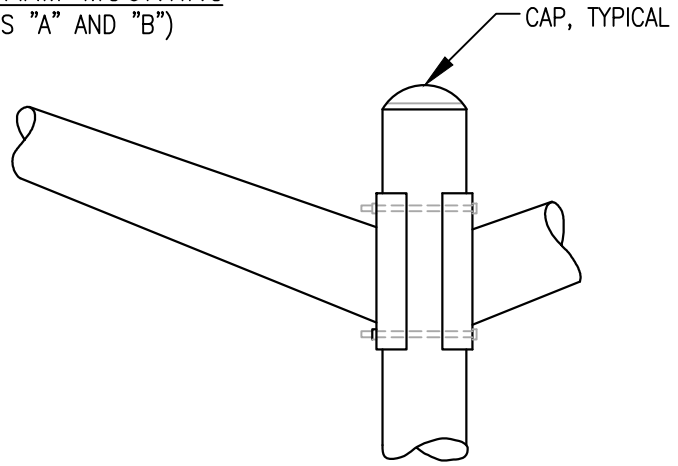
XL-23



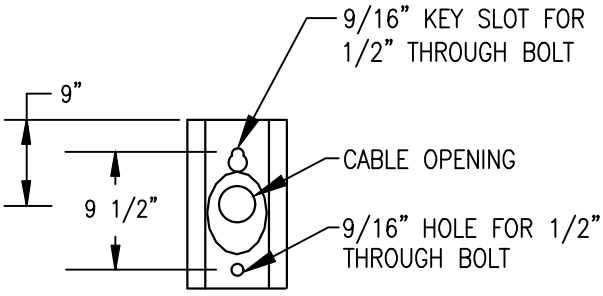
SINGLE ARM MOUNTING
(TYPES "A" AND "B")



PLAN VIEW



DOUBLE ARM MOUNTING
(TYPES "C" AND "D")



MOUNTING PLATE

MOUNTING ARM DIMENSIONS		
TYPE	"W"	"X"
XL-32, A	48"	15"
XL-32, B	72"	24"
XL-32, C	48"	15"
XL-32, D	72"	24"

NOTE: ALL MOUNTING HARDWARE FOR ARMS SHALL BE HOT-DIP GALVANIZED.

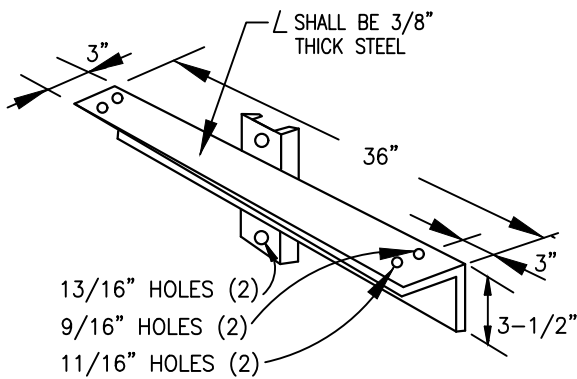
LUMINAIRE MOUNTING ARM DETAILS

REVISED:

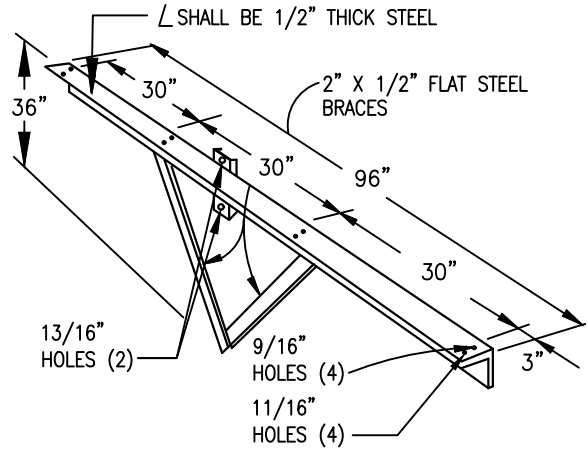
NOVEMBER 2020

LUMINAIRE PLATE:

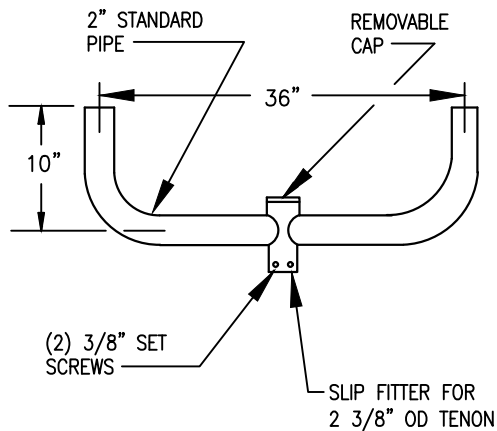
XL-24



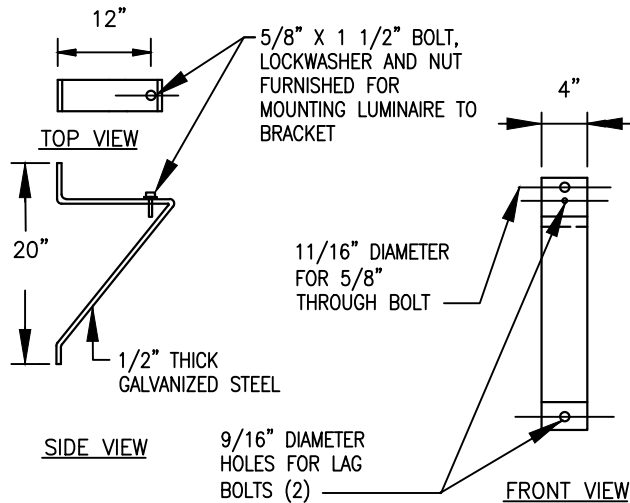
TWIN LUMINAIRE MOUNTING BRACKET - "A"



QUAD LUMINAIRE MOUNTING BRACKET - "B"



TWIN LUMINAIRE PIPE MOUNTING BRACKET - "C"



STEEL ANGLE SINGLE LUMINAIRE MOUNTING BRACKET FOR WALL OR POLE - "D"

NOTES: ALL MATERIAL SHOWN ON THIS SHEET SHALL BE HOT-DIP GALVANIZED.
 PROVIDE BOLTS AND OTHER HARDWARE AS REQUIRED.

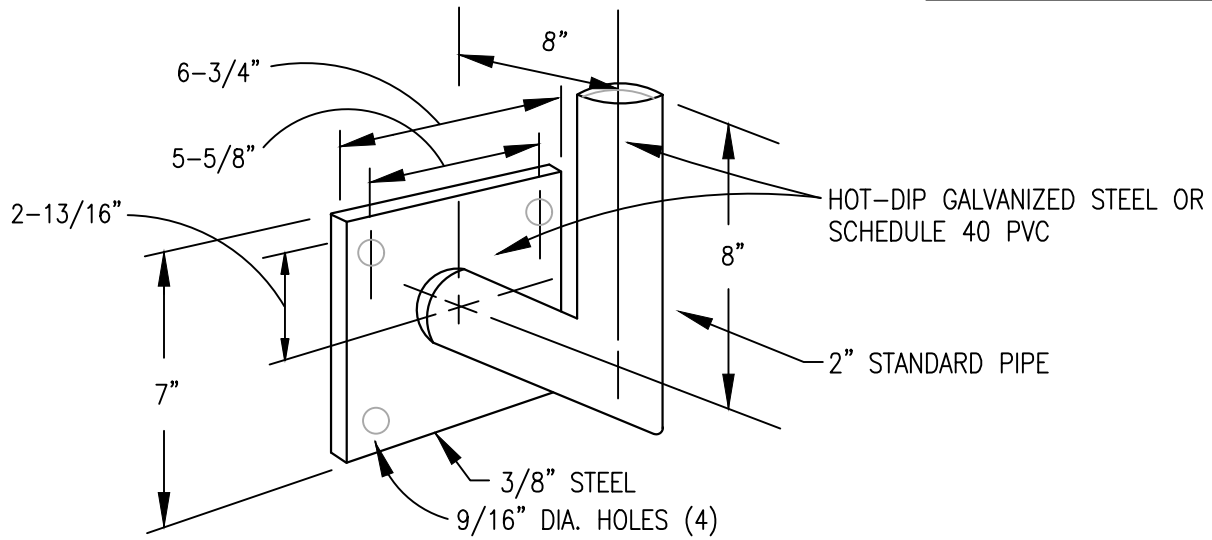
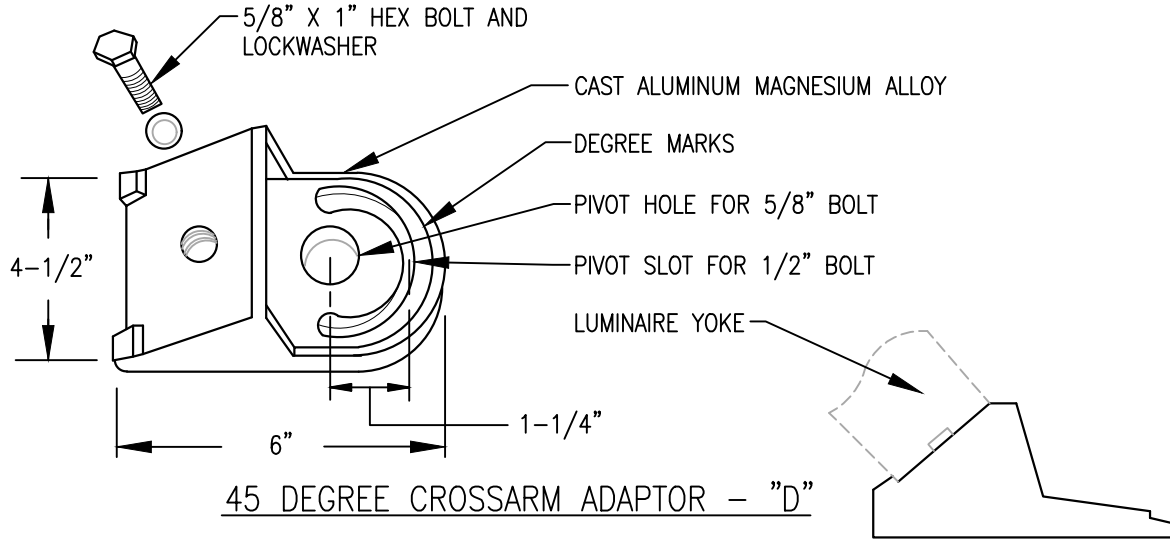
LUMINAIRE MOUNTING BRACKET DETAILS

REVISED:

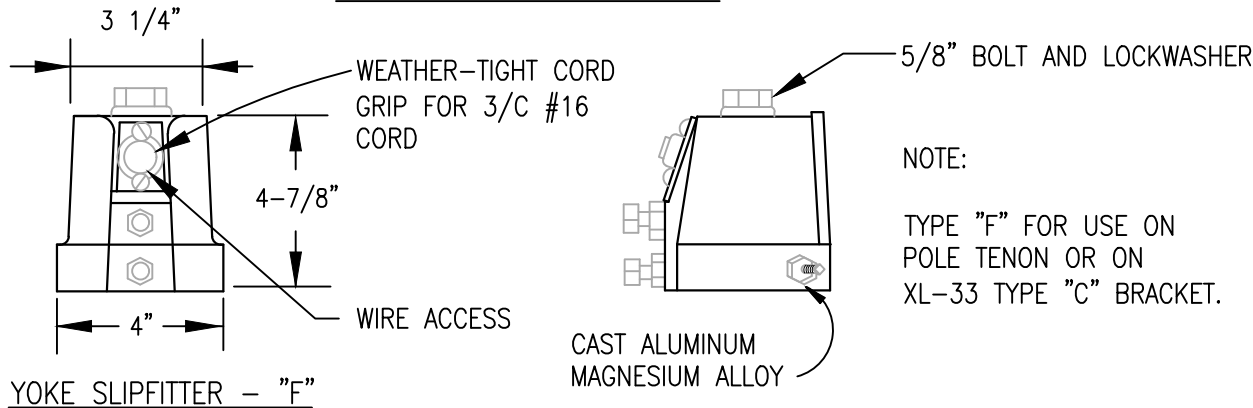
NOVEMBER 2020

LUMINAIRE PLATE:

XL-25



RIGHT ANGLE BRACKET - "E"



LUMINAIRE MOUNTING BRACKET DETAILS

REVISED:

NOVEMBER 2020

LUMINAIRE PLATE:

XL-26