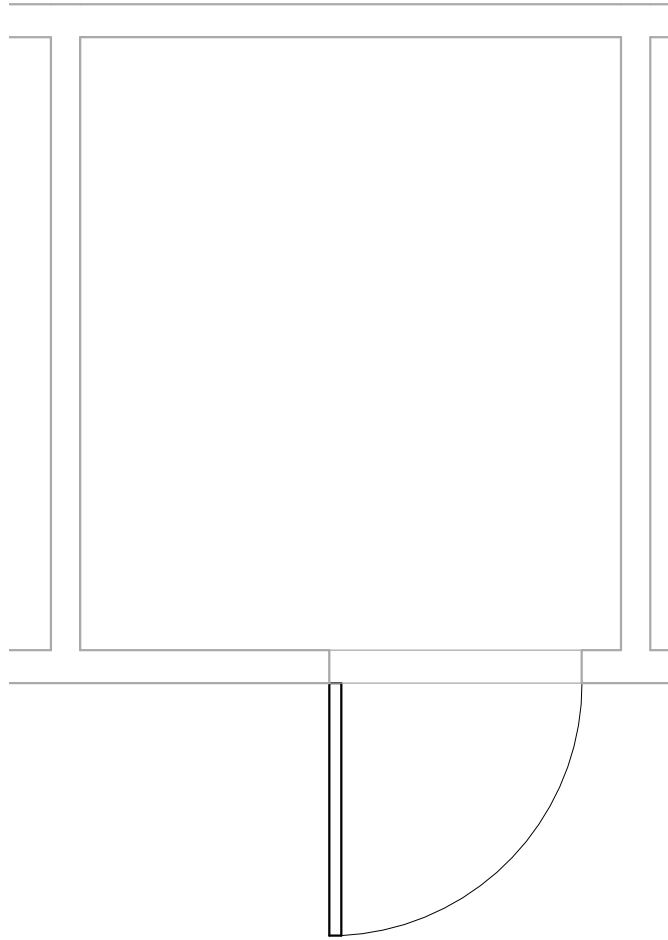
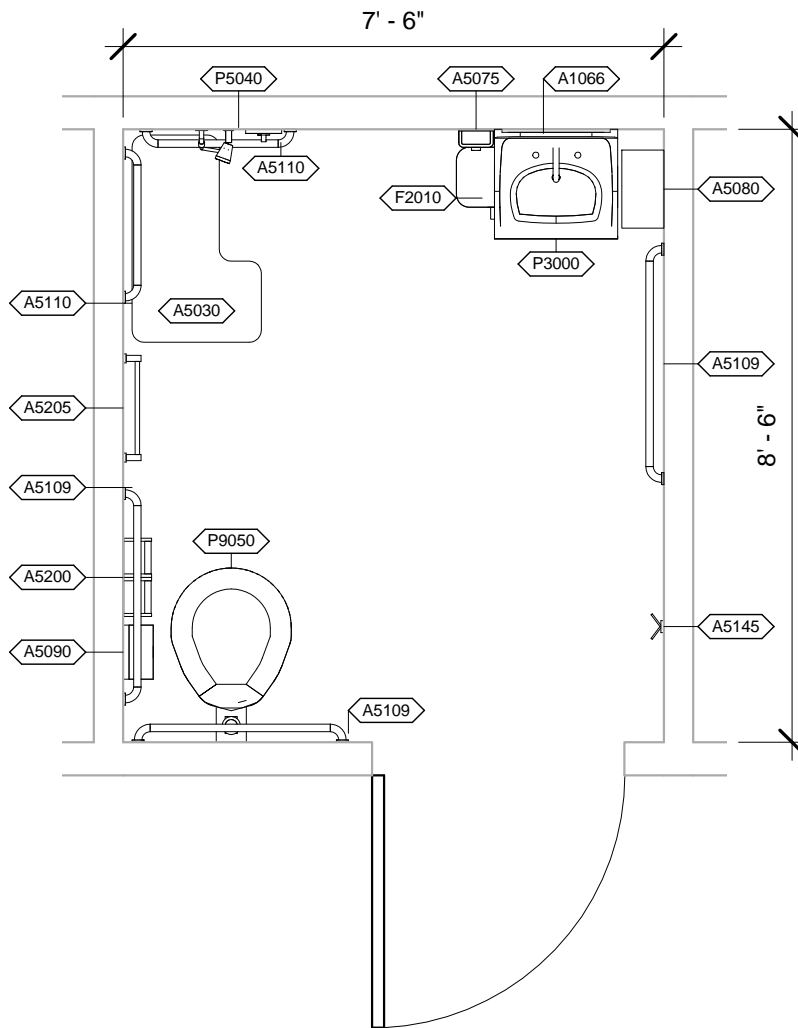


|  |                |                   |                |
|--|----------------|-------------------|----------------|
| <b>Room Description:</b> Toilet/Shower (TLTS2)     | <b>NSF:</b> 60 | <b>TLTS2</b>      |                |
| <b>Sheet Description:</b> Room/Equipment Isometric | <b>Scale:</b>  | Sheet<br><b>1</b> | of<br><b>5</b> |

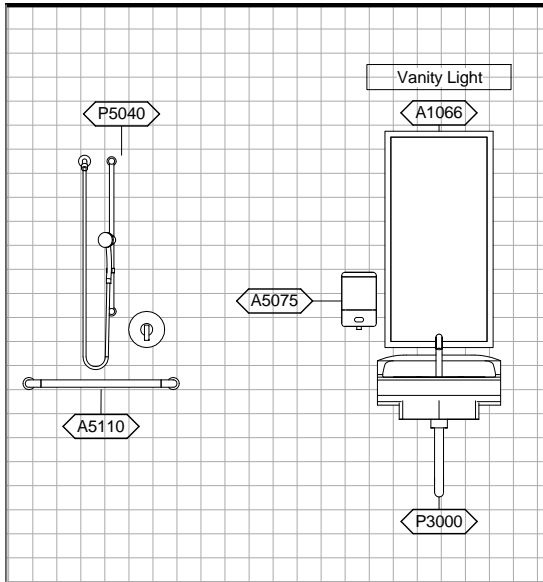


**TLTS2 - CEILING MOUNTED EQUIPMENT PLAN**

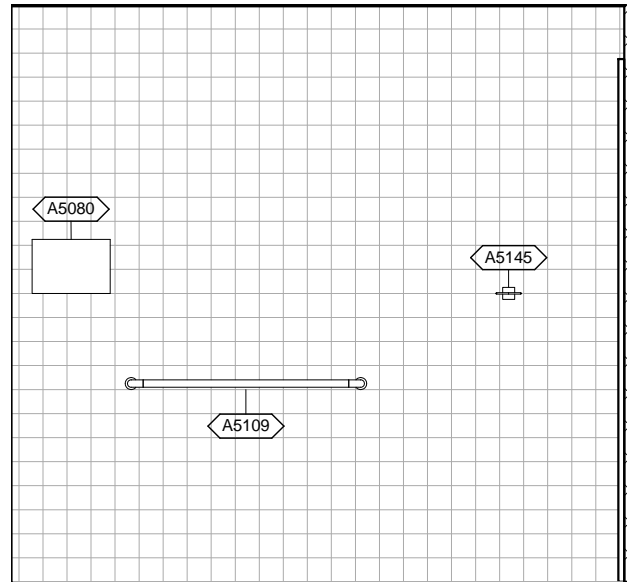
|  |                            |                   |                |
|--|----------------------------|-------------------|----------------|
| <b>Room Description:</b> Toilet/Shower (TLTS2)           | <b>NSF:</b> 60             | <b>TLTS2</b>      |                |
| <b>Sheet Description:</b> Ceiling Mounted Equipment Plan | <b>Scale:</b> 3/8" = 1'-0" | Sheet<br><b>2</b> | of<br><b>5</b> |



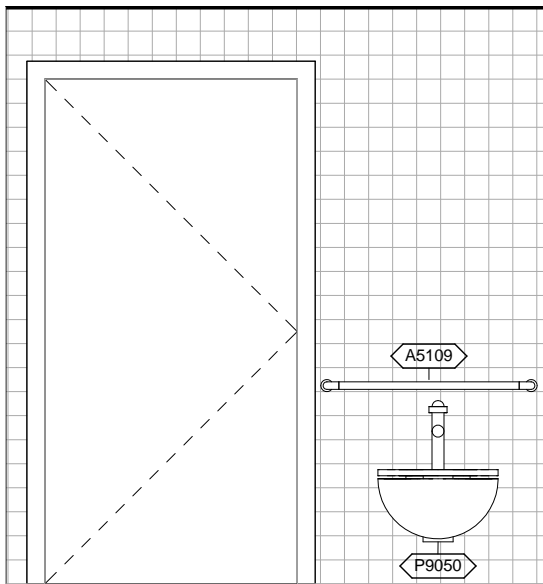
|  |                            |                   |                |
|--|----------------------------|-------------------|----------------|
| <b>Room Description:</b> Toilet/Shower (TLTS2) | <b>NSF:</b> 60             | <b>TLTS2</b>      |                |
| <b>Sheet Description:</b> Equipment Plan       | <b>Scale:</b> 3/8" = 1'-0" | Sheet<br><b>3</b> | of<br><b>5</b> |



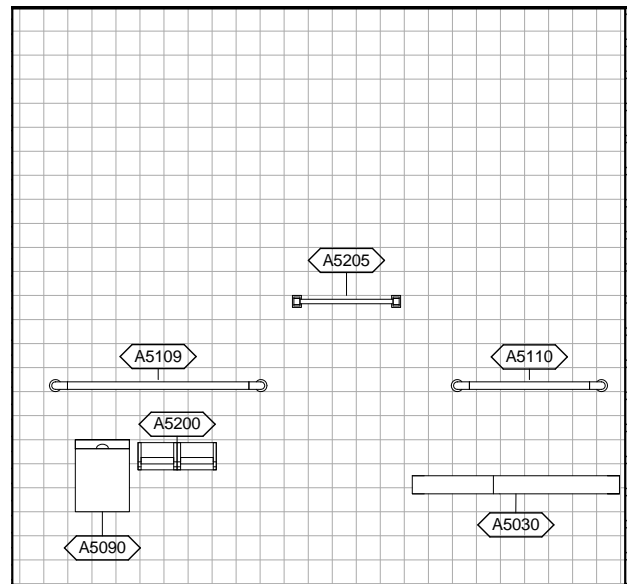
TLTS2 - NORTH ELEVATION



TLTS2 - EAST ELEVATION



TLTS2 - SOUTH ELEVATION



TLTS2 - WEST ELEVATION

|  |                            |                     |                  |
|--|----------------------------|---------------------|------------------|
| <b>Room Description:</b> Toilet/Shower (TLTS2)     | <b>NSF:</b> 60             | <h1>TLTS2</h1>      |                  |
| <b>Sheet Description:</b> Interior Room Elevations | <b>Scale:</b> 3/8" = 1'-0" | Sheet<br><h2>4</h2> | of<br><h2>5</h2> |

**TLTS2 - EQUIPMENT SCHEDULE**

| JSN   | Nomenclature                                       | Qty | LF | Logistics |    |    |    | Utilities |   |   |   |   |   |
|-------|--|-----|----|-----------|----|----|----|-----------|---|---|---|---|---|
|       |  |     |    | AR        | NA | AF | VA | 1         | 2 | 3 | 4 | 5 | 6 |
| A1066 | Mirror, Float Glass, With SS Frame                 | 1   |    | A         | A  | A  | A  | -         | - | - | - | - | - |
| A5030 | Bench, Stall, Shower, Built In                     | 1   |    | A         | A  | A  | A  | -         | - | - | - | - | - |
| A5075 | Dispenser, Soap, Disposable                        | 1   |    | C         | C  | C  | C  | -         | - | - | - | - | - |
| A5080 | Dispenser, Paper Towel, SS, Surface Mounted        | 1   |    | A         | A  | A  | A  | -         | - | - | - | - | - |
| A5090 | Disposal, Sanitary Napkin, SS, Surface Mounted     | 1   |    | A         | A  | A  | A  | -         | - | - | - | - | - |
| A5109 | Grab Bar, 1-1/4" Dia., SS, 2 Wall, W/C Accessible  | 3   |    | A         | A  | A  | A  | -         | - | - | - | - | - |
| A5110 | Grab Bar, 1-1/4" Dia., SS, 2 Wall, Shower Use      | 2   |    | A         | A  | A  | A  | -         | - | - | - | - | - |
| A5145 | Hook, Garment, Double, SS, Surface Mounted         | 1   |    | A         | A  | A  | A  | -         | - | - | - | - | - |
| A5200 | Dispenser, Toilet Tissue, SS, 2-Roll, Surface Mntd | 1   |    | A         | A  | A  | A  | -         | - | - | - | - | - |
| A5205 | Bar, Towel, 1" Diameter, SS, Surface Mounted       | 1   |    | A         | A  | A  | A  | -         | - | - | - | - | - |
| F2010 | Basket, Wastepaper, Step-On                        | 1   |    | C         | C  | C  | C  | -         | - | - | - | - | - |
| P3000 | Lavatory, Vitreous China, Straight Back            | 1   |    | A         | A  | A  | A  | D         | - | - | - | - | - |
| P5040 | Shower, Single, Hand-Held                          | 1   |    | A         | A  | A  | A  | D         | - | - | - | - | - |
| P9050 | Toilet, Wall Hung, Siphon Jet                      | 1   |    | A         | A  | A  | A  | B         | - | - | - | - | - |

|   |                |                   |                |
|---|----------------|-------------------|----------------|
| <b>Room Description:</b> Toilet/Shower (TLTS2)    | <b>NSF:</b> 60 | <b>TLTS2</b>      |                |
| <b>Sheet Description:</b> Equipment/Data Schedule | <b>Scale:</b>  | Sheet<br><b>5</b> | of<br><b>5</b> |