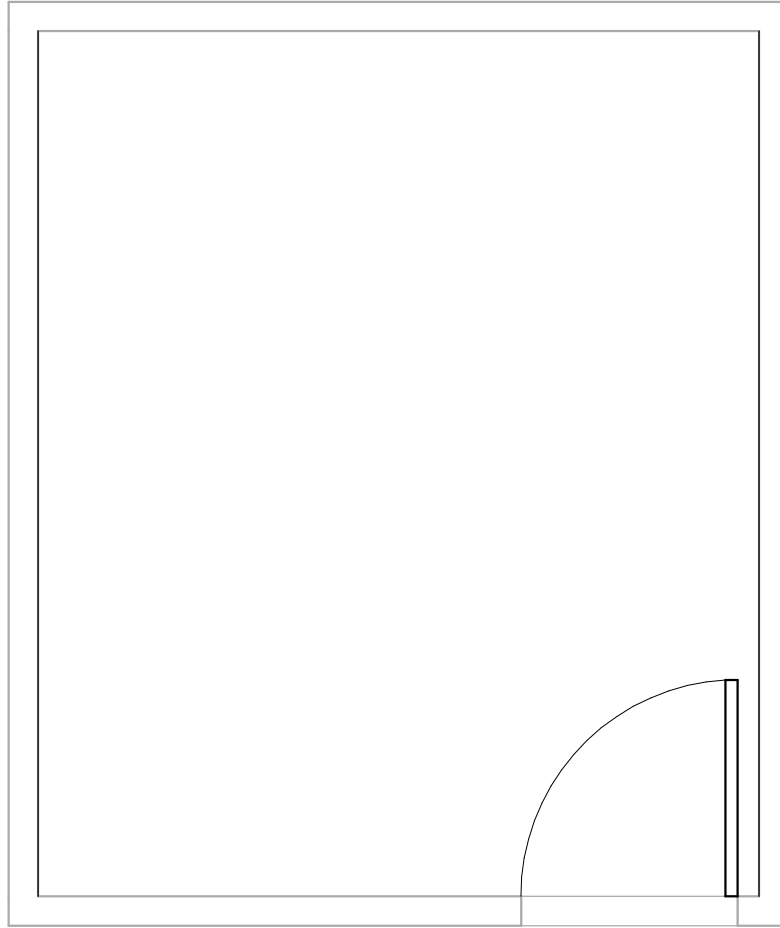
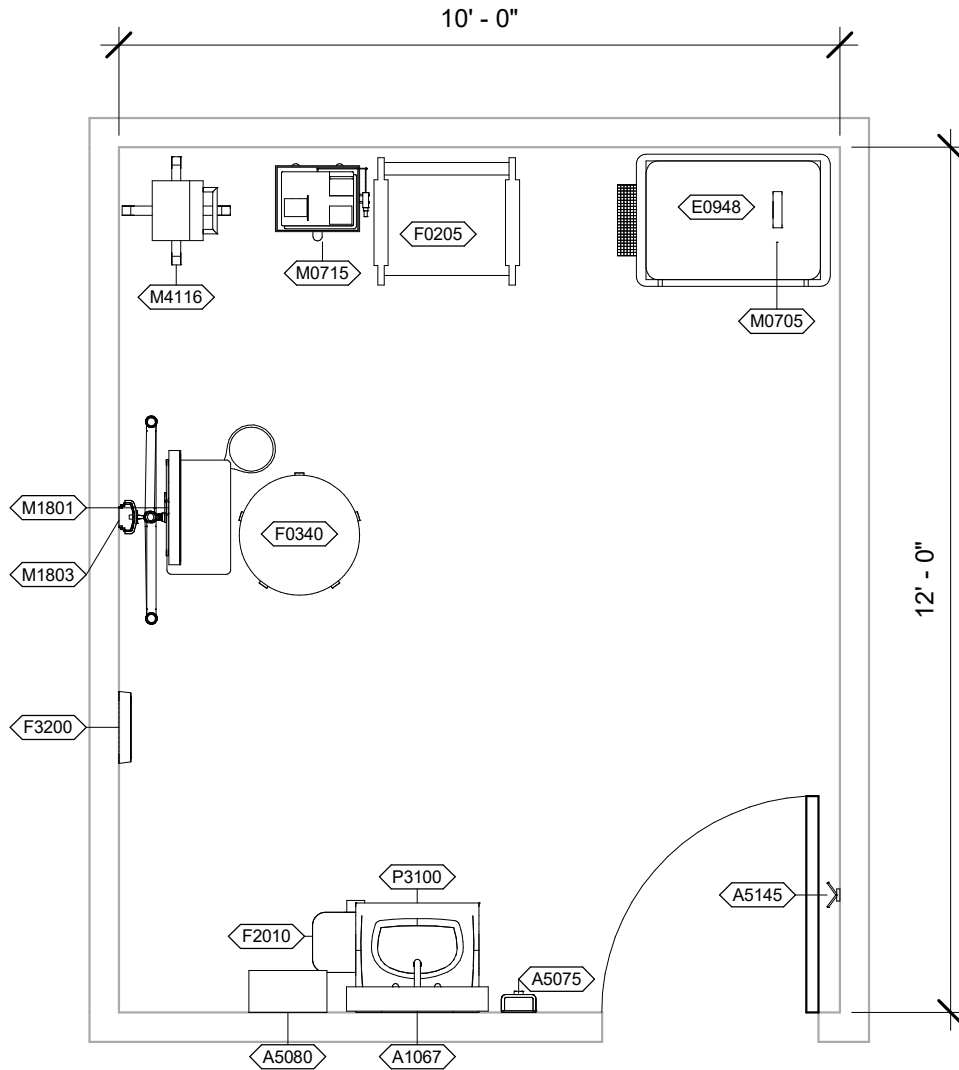


Room Description: Pulmonary Function Screening (OPPF1)	NSF: 120	OPPF1	
Sheet Description: Room/Equipment Isometric	Scale:	Sheet 1	of 5

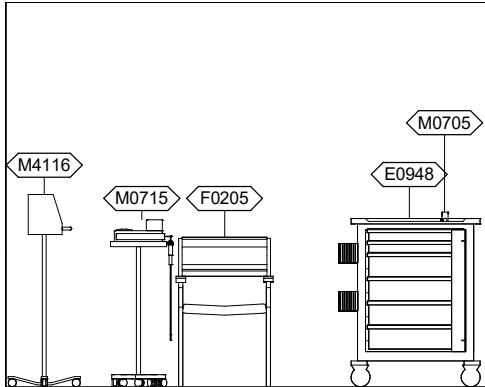


OPPF1 - CEILING MOUNTED EQUIPMENT PLAN

Room Description: Pulmonary Function Screening (OPPF1)	NSF: 120	OPPF1	
Sheet Description: Ceiling Mounted Equipment Plan	Scale: 3/8" = 1'-0"	Sheet 2	of 5



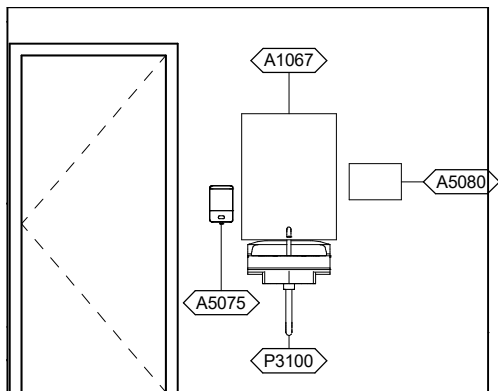
Room Description: Pulmonary Function Screening (OPPF1)	NSF: 120	OPPF1	
Sheet Description: Equipment Plan	Scale: 3/8" = 1'-0"	Sheet 3	of 5



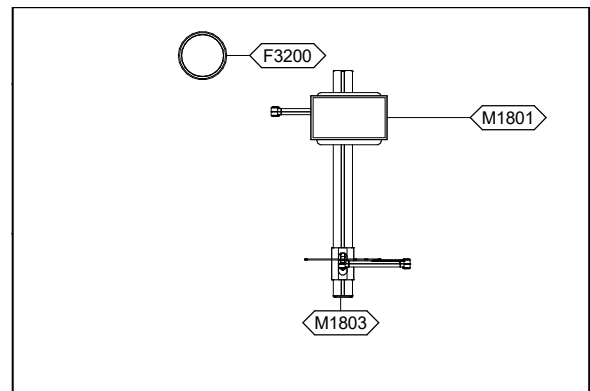
OPPF1 - NORTH ELEVATION



OPPF1 - EAST ELEVATION



OPPF1 - SOUTH ELEVATION



OPPF1 - WEST ELEVATION

<p>Room Description: Pulmonary Function Screening (OPPF1)</p>	<p>NSF: 120</p>	<p>OPPF1</p>	
<p>Sheet Description: Interior Room Elevations</p>	<p>Scale: 1/4" = 1'-0"</p>	<p>Sheet 4</p>	<p>of 5</p>

OPPF1 - EQUIPMENT SCHEDULE

JSN	Nomenclature	Qty	LF	Funding Category	LOGCAT
A1067	Mirror, Float Glass, ADA Accessible	1		RPIE	A
A5075	Dispenser, Soap, Disposable	1		PP	C
A5080	Dispenser, Paper Towel, SS, Surface Mounted	1		RPIE	A
A5145	Hook, Garment, Double, SS, Surface Mounted	1		RPIE	A
E0948	Cart, General Storage, Mobile, 42"H x 32"W x 22"D	1		PP	C
F0205	Chair, Side With Arms	1		PP	C
F0340	Stool, Self Adjusting	1		PP	C
F2010	Basket, Wastepaper, Step-On	1		PP	C
F3200	Clock, Battery, 12" Diameter	1		PP	C
M0705	Spirometer, Monitoring, Hand Held	1		PP	C
M0715	Pulmonary Function Analyzer, Portable	1		PP	C
M1801	Computer, Microprocessing, w/Flat Panel Monitor	1		PP	C
M1803	Workstation, Computer, Wall Mounted, Adjustable	1		PP	C
M4116	Monitor, Vital Signs	1		PP	C
P3100	Lavatory, Vitreous China, Slab Type	1		RPIE	A

Room Description: Pulmonary Function Screening (OPPF1)	NSF: 120	<h1>OPPF1</h1>	
Sheet Description: Equipment Schedule	Scale:	Sheet <h2>5</h2>	of <h2>5</h2>