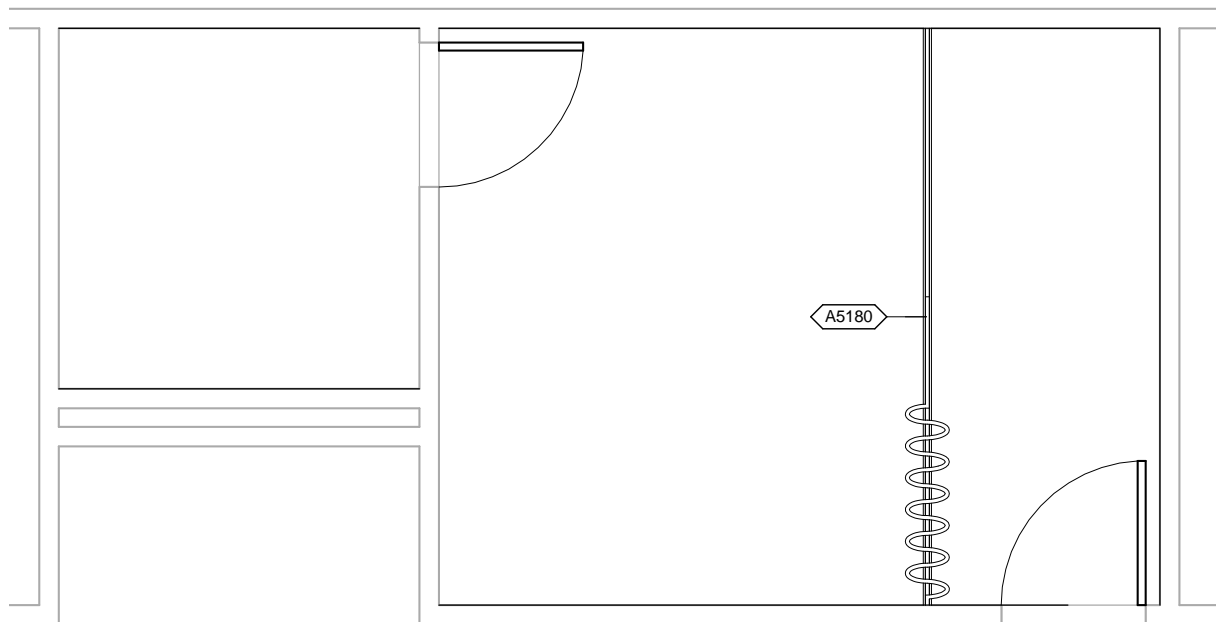
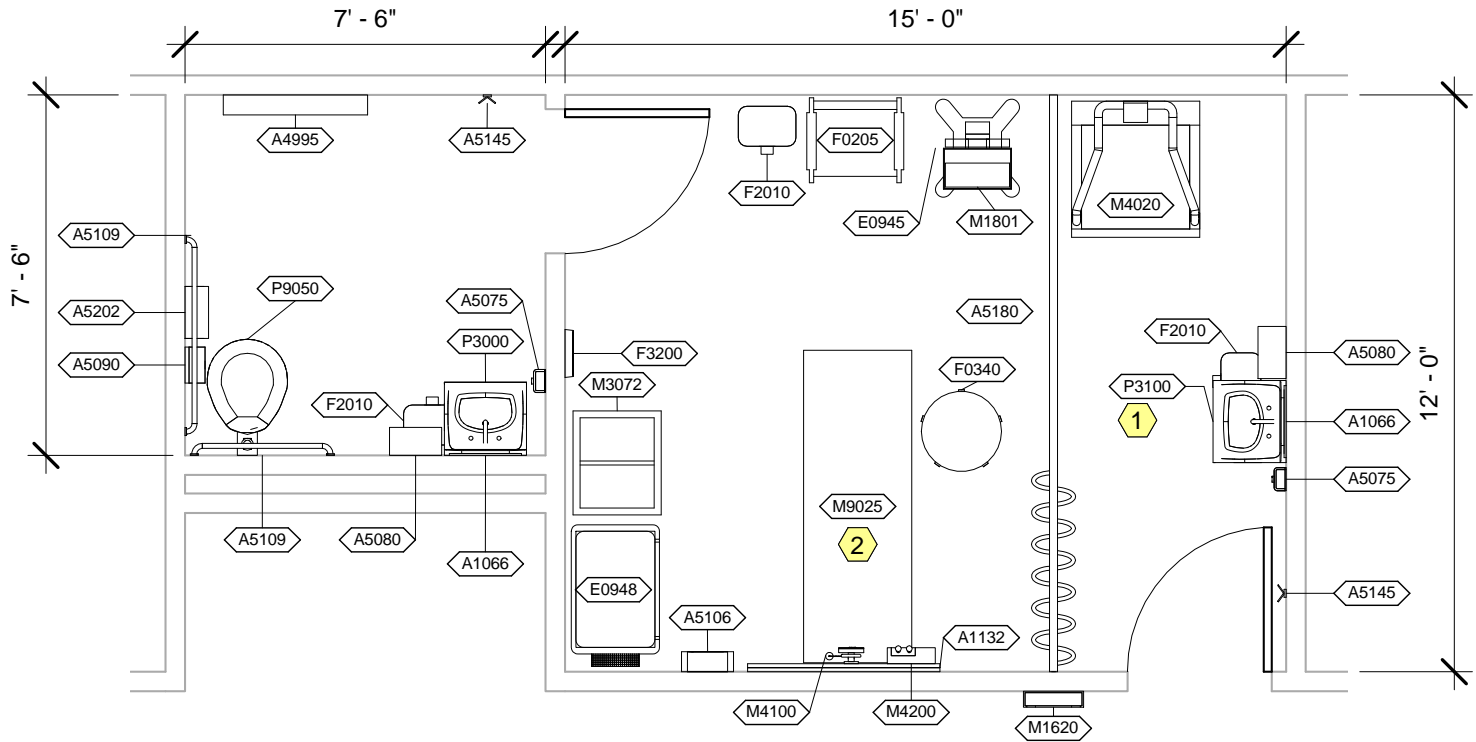


| | | | |
|--|-----------------------|--------------------|----------------|
| Room Exam, Isolation, Negative Pressure (EXRG6) Description: Toilet, Unisex (TLTU1) | NSF: 180 60 | EXRG6/TLTU1 | |
| Sheet Description: Room/Equipment Isometric | Scale: | Sheet 1 | of 6 |



EXRG6/TLTU1 - CEILING MOUNTED EQUIPMENT PLAN

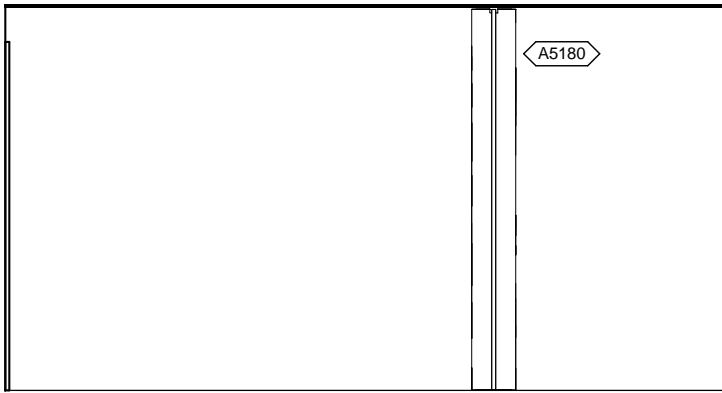
| | | | |
|--|----------------------------|--------------------|----------------|
| Room Exam, Isolation, Negative Pressure (EXRG6) Description: Toilet, Unisex (TLTU1) | NSF: 180 60 | EXRG6/TLTU1 | |
| Sheet Description: Ceiling Mounted Equipment Plan | Scale: 1/4" = 1'-0" | Sheet 2 | of 6 |



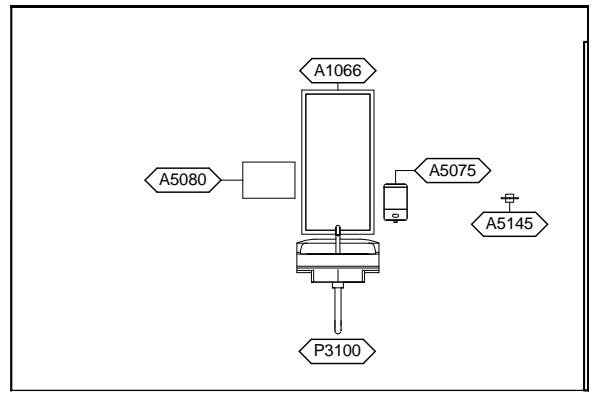
EXRG6/TLTU1 - NOTES

- 1 JSN P8710, Utility Center, shall be included in Navy projects only.
- 2 In Pediatrics use, JSN M9020, Table Exam Peds with Scale.

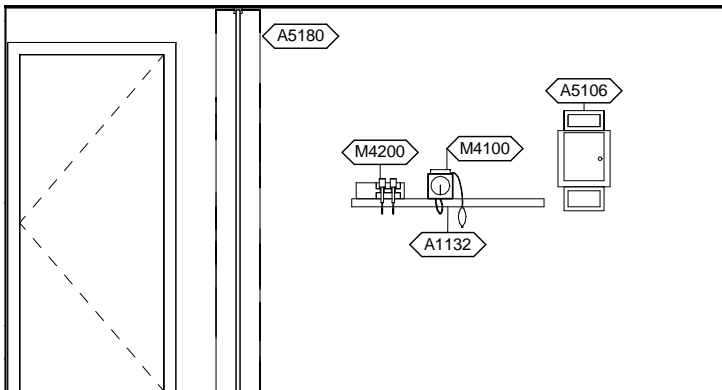
| | | | |
|--|----------------------------|--------------------|----------------|
| Room Exam, Isolation, Negative Pressure (EXRG6) Description: Toilet, Unisex (TLTU1) | NSF: 180 60 | EXRG6/TLTU1 | |
| Sheet Description: Equipment Plan | Scale: 1/4" = 1'-0" | Sheet 3 | of 6 |



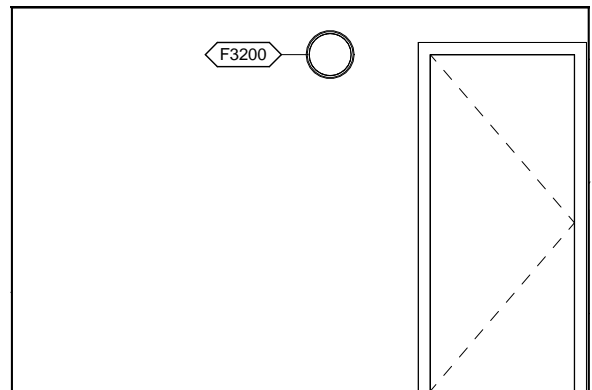
EXRG6 - NORTH ELEVATION



EXRG6 - EAST ELEVATION

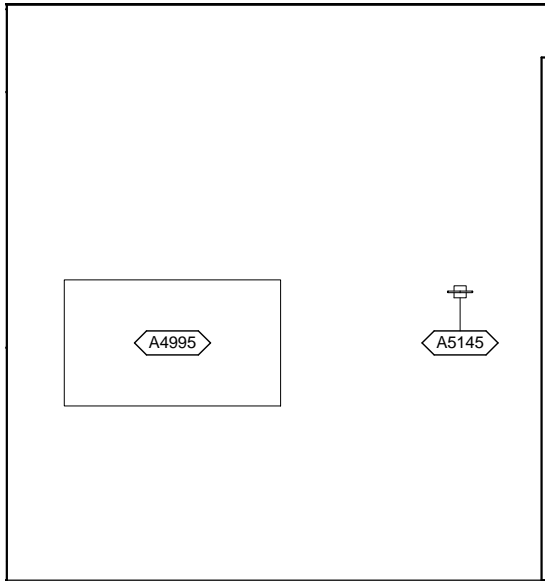


EXRG6 - SOUTH ELEVATION

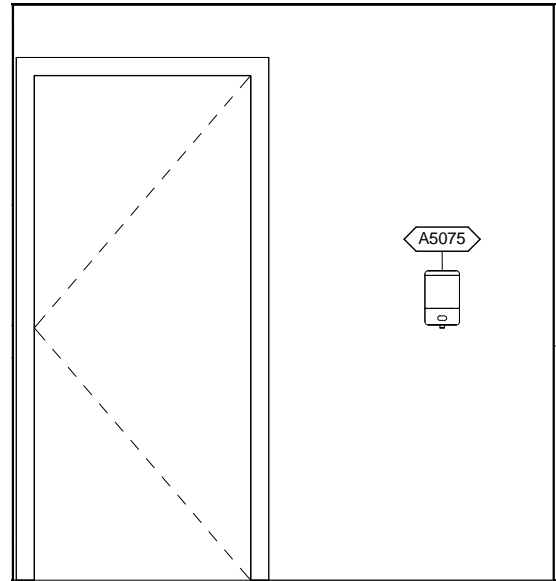


EXRG6 - WEST ELEVATION

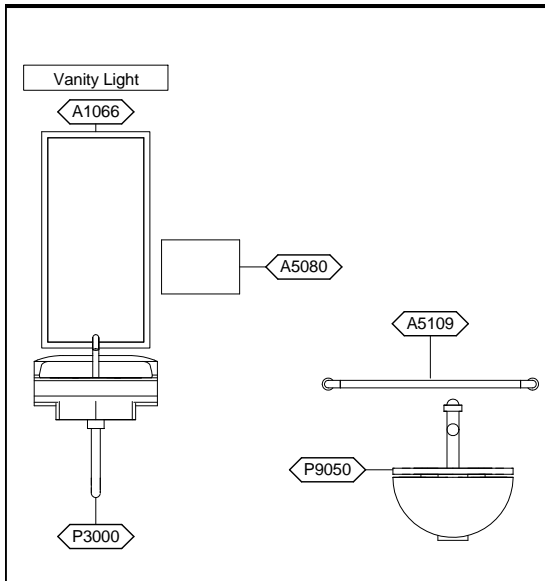
| | | | |
|--|----------------------------|--------------------|----------------|
| Room Exam, Isolation, Negative Pressure (EXRG6) Description: Toilet, Unisex (TLTU1) | NSF: 180 60 | EXRG6/TLTU1 | |
| Sheet Description: Interior Room Elevations | Scale: 1/4" = 1'-0" | Sheet 4 | of 6 |



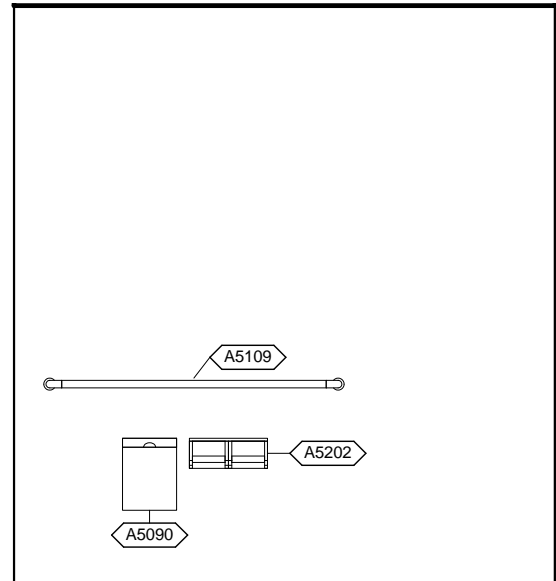
TLTU1 - NORTH ELEVATION



TLTU1 - EAST ELEVATION



TLTU1 - SOUTH ELEVATION



TLTU1 - WEST ELEVATION

| | | | |
|--|----------------------------|--------------------|----------------|
| Room Exam, Isolation, Negative Pressure (EXRG6) Description: Toilet, Unisex (TLTU1) | NSF: 180 60 | EXRG6/TLTU1 | |
| Sheet Description: Interior Room Elevations | Scale: 3/8" = 1'-0" | Sheet 5 | of 6 |

EXRG6 - EQUIPMENT SCHEDULE

| JSN | Nomenclature | Qty | LF | AR | Logistics | | | Utilities | | | | | |
|-------|---|-----|--------|----|-----------|----|----|-----------|---|---|---|---|---|
| | | | | | NA | AF | VA | 1 | 2 | 3 | 4 | 5 | 6 |
| A1066 | Mirror, Float Glass, With SS Frame | 1 | | A | A | A | A | - | - | - | - | - | - |
| A1132 | Rail, Accessory Mounting, 48" | 1 | 4'-0" | A | A | A | A | - | - | - | - | - | - |
| A5075 | Dispenser, Soap, Disposable | 1 | | C | C | C | C | - | - | - | - | - | - |
| A5080 | Dispenser, Paper Towel, SS, Surface Mounted | 1 | | A | A | A | A | - | - | - | - | - | - |
| A5106 | Waste Disposal Unit, Sharps w/Glove Dispenser | 1 | | C | A | C | C | - | - | - | - | - | - |
| A5145 | Hook, Garment, Double, SS, Surface Mounted | 1 | | A | A | A | A | - | - | - | - | - | - |
| A5180 | Track, Cubicle, Surface Mounted, With Curtain | 1 | 12'-0" | A | A | A | A | - | - | - | - | - | - |
| E0945 | Mobile, Workstation | 1 | | C | C | C | C | - | - | - | - | - | - |
| E0948 | Cart, General Storage, Mobile, 42"H x 32"W x 22"D | 1 | | C | C | C | C | - | - | - | - | - | - |
| F0205 | Chair, Side With Arms | 1 | | C | C | C | C | - | - | - | - | - | - |
| F0340 | Stool, Self Adjusting | 1 | | C | C | C | C | - | - | - | - | - | - |
| F2010 | Basket, Wastepaper, Step-On | 2 | | C | C | C | C | - | - | - | - | - | - |
| F3200 | Clock, Battery, 12" Diameter | 1 | | C | C | C | C | - | - | - | - | - | - |
| M1620 | Holder, Chart, Patient, Wall or Door Mounted | 1 | | A | A | A | A | - | - | - | - | - | - |
| M1801 | Computer, Microprocessing, w/Flat Panel Monitor | 1 | | C | C | C | C | - | A | - | - | - | - |
| M3072 | Frame, Infectious Waste Bag w/Lid | 1 | | C | C | C | C | - | - | - | - | - | - |
| M4020 | Scale, Person Weighing, High Capacity | 1 | | C | C | C | C | - | A | - | - | - | - |
| M4100 | Sphygmomanometer, Aneroid, Wall Mounted | 1 | | C | C | C | C | - | - | - | - | - | - |
| M4200 | Otoscope/Ophthalmoscope, Wall Mounted | 1 | | C | C | - | C | - | A | - | - | - | - |
| M9025 | Table, Examination/Treatment, With Cabinet | 1 | | C | C | C | C | - | A | - | - | - | - |
| P3100 | Lavatory, Vitreous China, Slab Type | 1 | | A | A | A | A | D | - | - | - | - | - |

TLTU1 - EQUIPMENT SCHEDULE

| JSN | Nomenclature | Qty | LF | AR | Logistics | | | Utilities | | | | | |
|-------|---|-----|----|----|-----------|----|----|-----------|---|---|---|---|---|
| | | | | | NA | AF | VA | 1 | 2 | 3 | 4 | 5 | 6 |
| A1066 | Mirror, Float Glass, With SS Frame | 1 | | A | A | A | A | - | - | - | - | - | - |
| A4995 | Table, Diaper Changing, Wall Mounted | 1 | | A | A | A | A | - | - | - | - | - | - |
| A5075 | Dispenser, Soap, Disposable | 1 | | C | C | C | C | - | - | - | - | - | - |
| A5080 | Dispenser, Paper Towel, SS, Surface Mounted | 1 | | A | A | A | A | - | - | - | - | - | - |
| A5090 | Disposal, Sanitary Napkin, SS, Surface Mounted | 1 | | A | A | A | A | - | - | - | - | - | - |
| A5109 | Grab Bar, 1-1/4" Dia., SS, 2 Wall, W/C Accessible | 2 | | A | A | A | A | - | - | - | - | - | - |
| A5145 | Hook, Garment, Double, SS, Surface Mounted | 1 | | A | A | A | A | - | - | - | - | - | - |
| A5202 | Dispenser, Toilet Paper w/Utility Shelf, SS, 2-Roll | 1 | | A | A | A | A | - | - | - | - | - | - |
| F2010 | Basket, Wastepaper, Step-On | 1 | | C | C | C | C | - | - | - | - | - | - |
| P3000 | Lavatory, Vitreous China, Straight Back | 1 | | A | A | A | A | D | - | - | - | - | - |
| P9050 | Toilet, Wall Hung, Siphon Jet | 1 | | A | A | A | A | B | - | - | - | - | - |

| | | | |
|--|-----------------------|--------------------|----------------|
| Room Exam, Isolation, Negative Pressure (EXRG6) Description: Toilet, Unisex (TLTU1) | NSF: 180 60 | EXRG6/TLTU1 | |
| Sheet Description: Equipment Schedule | Scale: | Sheet 6 | of 6 |