

Room Description: Exam Room, ENT (EXEN1)

NSF: 120

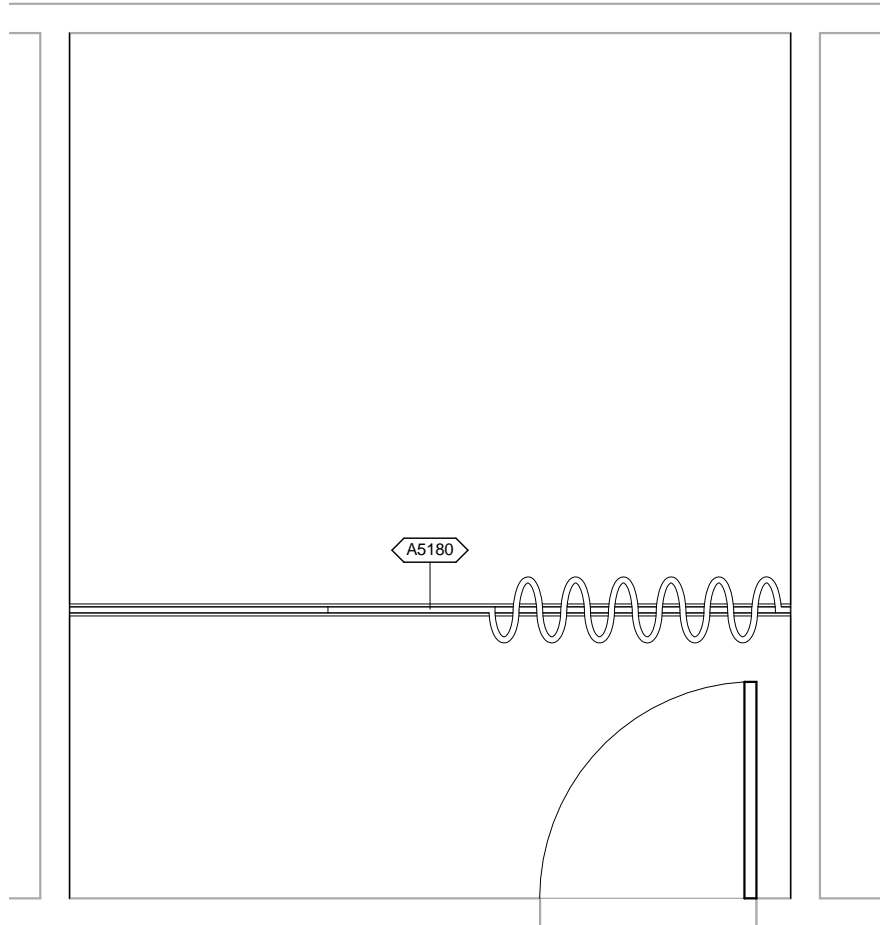
EXEN1

Sheet Description: Room/Equipment Isometric

Scale:

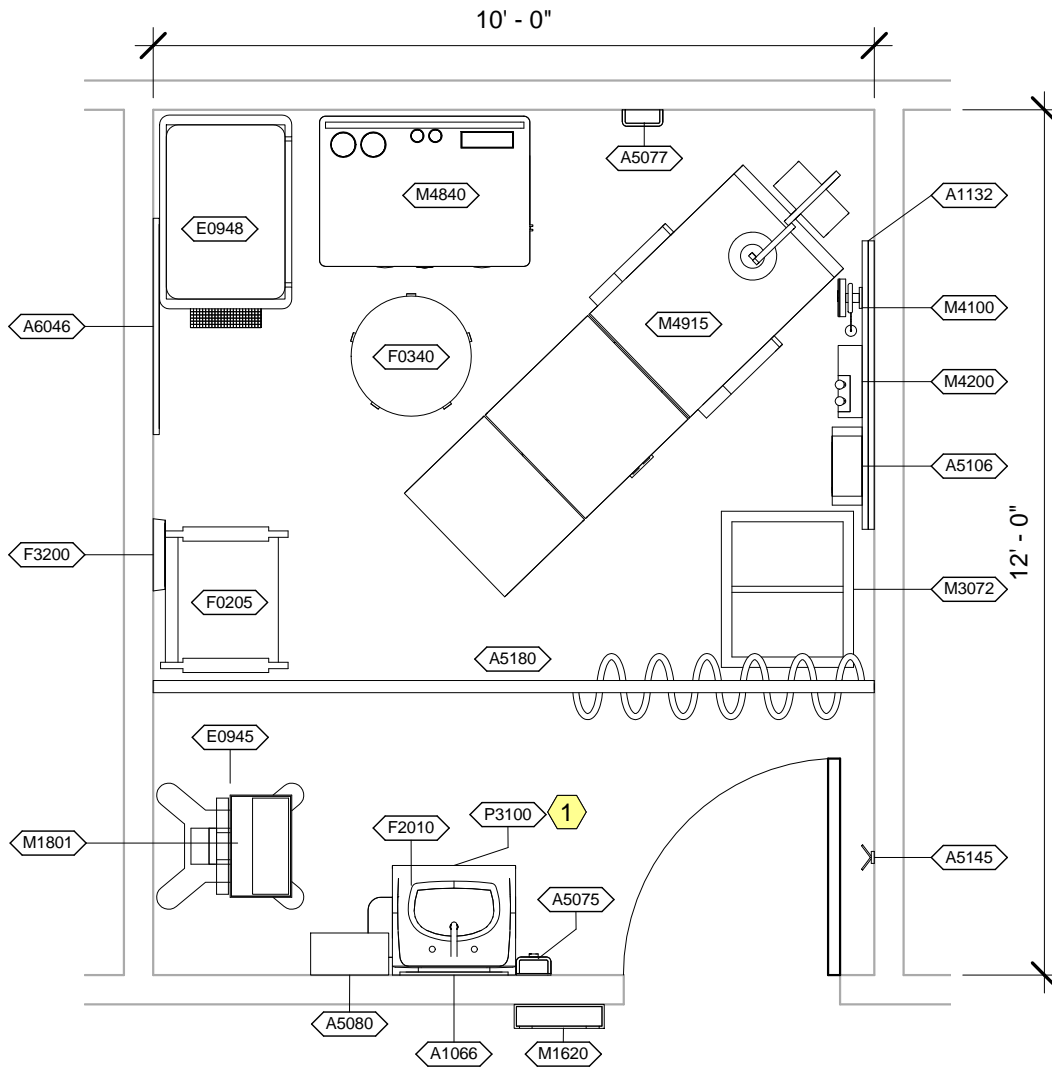
Sheet
1

of
5



EXEN1 - CEILING MOUNTED EQUIPMENT PLAN

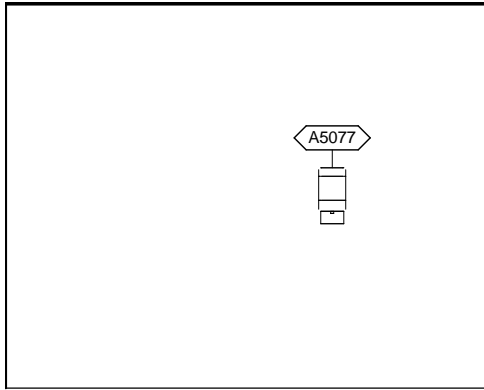
Room Description: Exam Room, ENT (EXEN1)	NSF: 120	EXEN1	
Sheet Description: Ceiling Mounted Equipment Plan	Scale: 3/8" = 1'-0"	Sheet 2	of 5



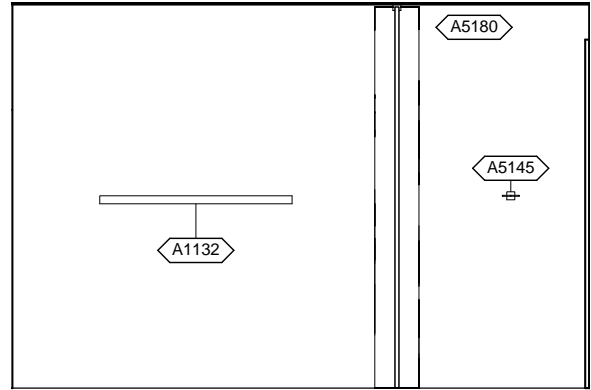
EXEN1 - NOTES

- 1 JSN P8710, Utility Center, shall be included in Navy projects only.

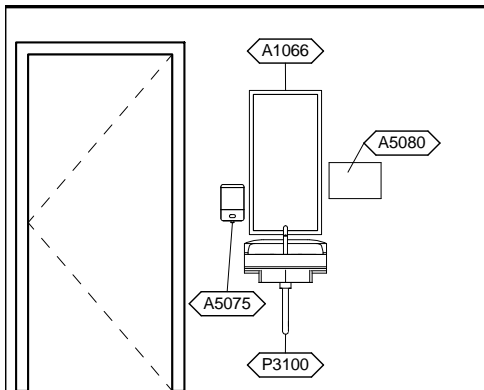
Room Description: Exam Room, ENT (EXEN1)	NSF: 120	EXEN1	
Sheet Description: Equipment Plan	Scale: 3/8" = 1'-0"	Sheet 3	of 5



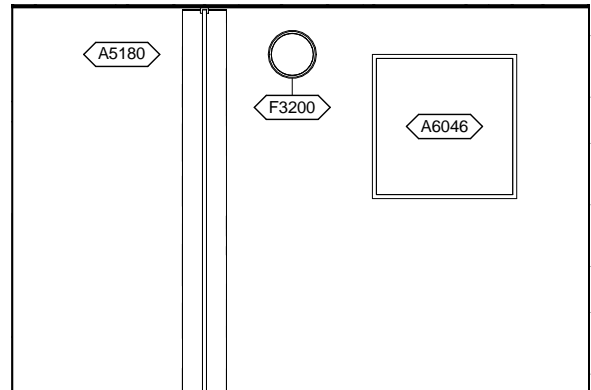
EXEN1 - NORTH ELEVATION



EXEN1 - EAST ELEVATION



EXEN1 - SOUTH ELEVATION



EXEN1 - WEST ELEVATION

Room Description: Exam Room, ENT (EXEN1)	NSF: 120	<h1>EXEN1</h1>	
Sheet Description: Interior Room Elevations	Scale: 1/4" = 1'-0"	Sheet <h2>4</h2>	of <h2>5</h2>

EXEN1 - EQUIPMENT SCHEDULE

JSN	Nomenclature	Qty	LF	Logistics				Utilities					
				AR	NA	AF	VA	1	2	3	4	5	6
A1066	Mirror, Float Glass, With SS Frame	1		A	A	A	A	-	-	-	-	-	-
A1132	Rail, Accessory Mounting, 48"	1	4'-0"	A	A	A	A	-	-	-	-	-	-
A5075	Dispenser, Soap, Disposable	1		C	C	C	C	-	-	-	-	-	-
A5077	Dispenser, Hand Sanitizer, Hands free	1		C	C	C	C	-	-	-	-	-	-
A5080	Dispenser, Paper Towel, SS, Surface Mounted	1		A	A	A	A	-	-	-	-	-	-
A5106	Waste Disposal Unit, Sharps w/Glove Dispenser	1		C	A	C	C	-	-	-	-	-	-
A5145	Hook, Garment, Double, SS, Surface Mounted	1		A	A	A	A	-	-	-	-	-	-
A5180	Track, Cubicle, Surface Mounted, With Curtain	1	10'-0"	A	A	A	A	-	-	-	-	-	-
A6046	Artwork, Decorative, With Frame	1		C	C	C	C	-	-	-	-	-	-
E0945	Mobile, Workstation	1		C	C	C	C	-	-	-	-	-	-
E0948	Cart, General Storage, Mobile, 42"H x 32"W x 22"D	1		C	C	C	C	-	-	-	-	-	-
F0205	Chair, Side With Arms	1		C	C	C	C	-	-	-	-	-	-
F0340	Stool, Self Adjusting	1		C	C	C	C	-	-	-	-	-	-
F2010	Basket, Wastepaper, Step-On	1		C	C	C	C	-	-	-	-	-	-
F3200	Clock, Battery, 12" Diameter	1		C	C	C	C	-	-	-	-	-	-
M1620	Holder, Chart, Patient, Wall or Door Mounted	1		A	A	A	A	-	-	-	-	-	-
M1801	Computer, Microprocessing, w/Flat Panel Monitor	1		C	C	C	C	-	A	-	-	-	-
M3072	Frame, Infectious Waste Bag w/Lid	1		C	C	C	C	-	-	-	-	-	-
M4100	Sphygmomanometer, Aneroid, Wall Mounted	1		C	C	C	C	-	-	-	-	-	-
M4200	Otoscope/Ophthalmoscope, Wall Mounted	1		C	C	-	C	-	A	-	-	-	-
M4840	ENT Unit, w/Air, Electric Power, Suction, Pressure	1		C	C	C	C	-	A	H	-	-	-
M4915	Chair, Exam/Treatment, ENT, w/Adjustable Light	1		C	C	C	C	-	A	-	-	-	-
P3100	Lavatory, Vitreous China, Slab Type	1		A	A	A	A	D	-	-	-	-	-

Room Description: Exam Room, ENT (EXEN1)	NSF: 120	EXEN1	
Sheet Description: Equipment Schedule	Scale:	Sheet 5	of 5