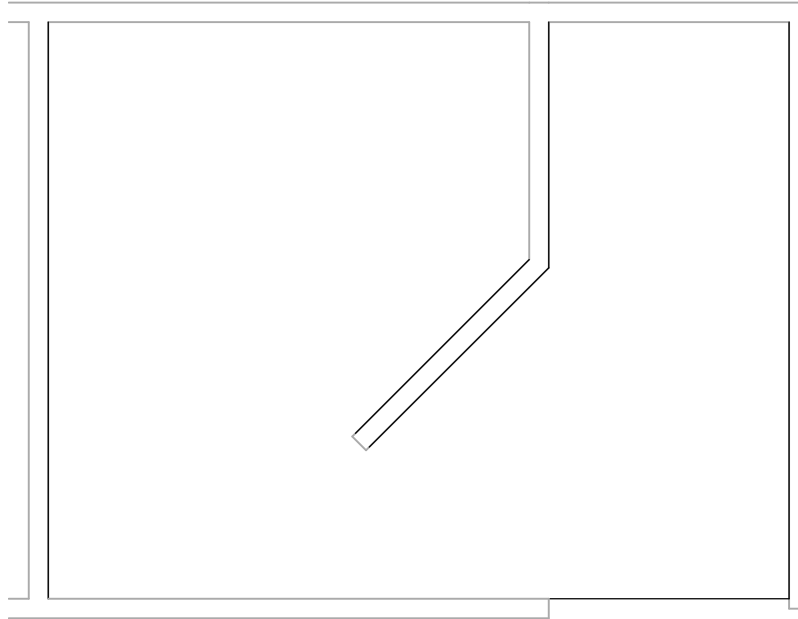


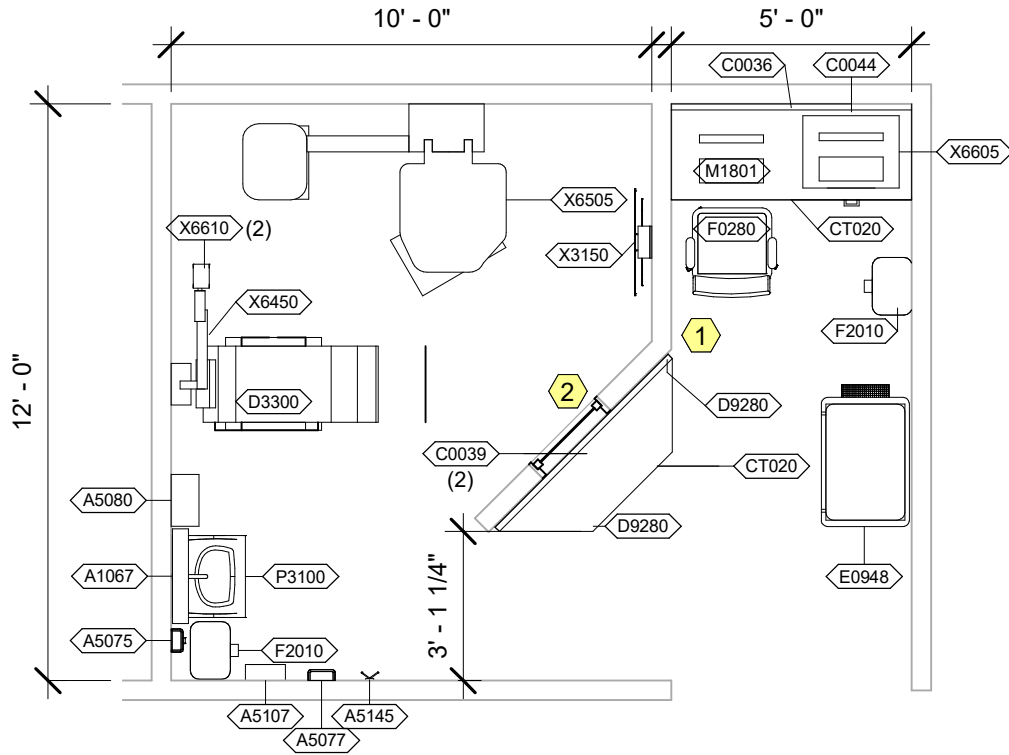


Room Description: Dental X-Ray, Extraoral/Panoramic/Cephometric (DNXS1)	NSF: 180	DNXS1	
Sheet Description: Room/Equipment Isometric	Scale:	Sheet 1	of 6



DNXS1 - CEILING MOUNTED EQUIPMENT PLAN

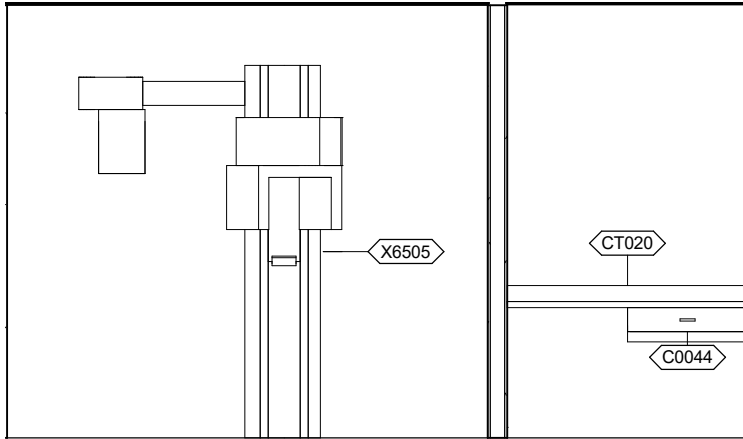
Room Description: Dental X-Ray, Extraoral/Panoramic/Cephometric (DNXS1)	NSF: 180	DNXS1	
Sheet Description: Ceiling Mounted Equipment Plan	Scale: 1/4" = 1'-0"	Sheet 2	of 6



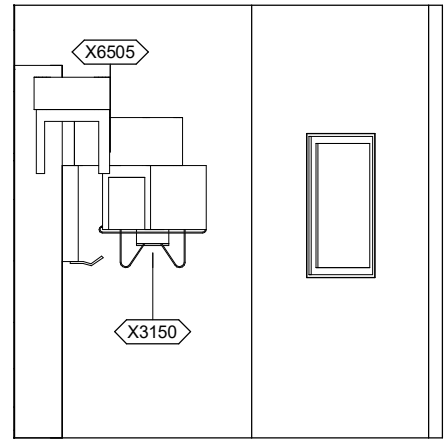
DNXS1 - NOTES

- 1 X-Ray Remote Control Unit
- 2 Lead Glass View Window

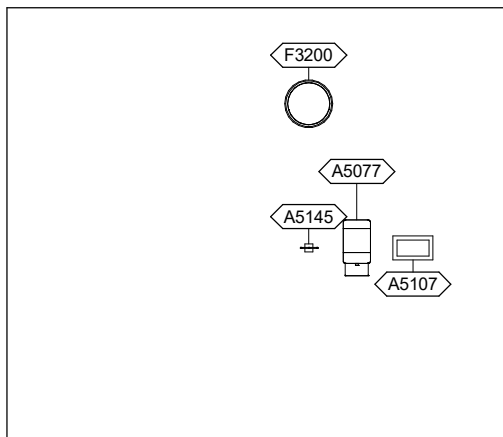
Room Description: Dental X-Ray, Extraoral/Panoramic/Cephometric (DNXS1)	NSF: 180	DNXS1	
Sheet Description: Equipment Plan	Scale: 1/4" = 1'-0"	Sheet 3	of 6



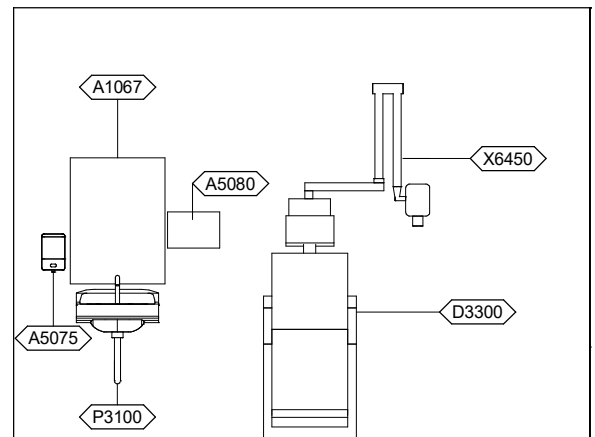
DNXS1 - NORTH ELEVATION



DNXS1 - EAST ELEVATION

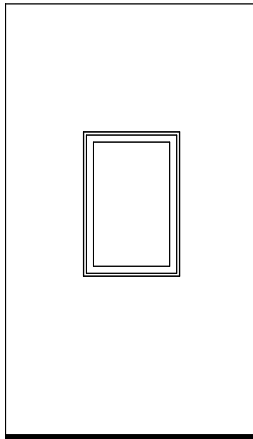


DNXS1 - SOUTH ELEVATION

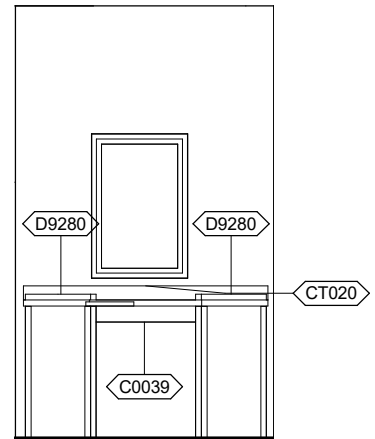


DNXS1 - WEST ELEVATION

<p>Room Description: Dental X-Ray, Extraoral/Panoramic/Cephometric (DNXS1)</p>	<p>NSF: 180</p>	<p>DNXS1</p>	
<p>Sheet Description: Interior Room Elevations</p>	<p>Scale: 1/4" = 1'-0"</p>	<p>Sheet 4</p>	<p>of 6</p>



DNXS1 - ANGLED ELEVATION



DNXS1 - REVERSED ANGLE ELEVATION

Room Description: Dental X-Ray, Extraoral/Panoramic/Cephometric (DNXS1)	NSF: 180	DNXS1	
Sheet Description: Interior Room Elevations	Scale: 1/4" = 1'-0"	Sheet 5	of 6

DNXS1 - EQUIPMENT SCHEDULE

JSN	Nomenclature	Qty	LF	Funding Category	LOGCAT
A1067	Mirror, Float Glass, ADA Accessible	1		RPIE	A
A5075	Dispenser, Soap, Disposable	1		PP	C
A5077	Dispenser, Hand Sanitizer, Hands free	1		PP	C
A5080	Dispenser, Paper Towel, SS, Surface Mounted	1		RPIE	A
A5107	Dispenser, Glove, Surgical/Examination, Wall Mntd	1		PP	C
A5145	Hook, Garment, Double, SS, Surface Mounted	1		RPIE	A
C0036	Rail, Apron, 4x30x1	1		RPIE	A
C0039	Rail, Apron, 4x48x1	2		RPIE	A
C0044	Frame, Apron, 1 Drawer, 4x30x22	1		RPIE	A
CT020	Countertop, Solid Surface	1	5'-0"	RPIE	A
CT020	Countertop, Solid Surface, Angled	1	4'-0"	RPIE	A
D3300	Chair, Radiographic, Dental	1		PP	C
D9280	Legs, Rail, Apron	2		PP	C
E0948	Cart, General Storage, Mobile, 42"H x 32"W x 22"D	1		PP	C
F0280	Chair, Swivel, Low Back	1		PP	C
F2010	Basket, Wastepaper, Step-On	2		PP	C
F3200	Clock, Battery, 12" Diameter	1		PP	C
M1801	Computer, Microprocessing, w/Flat Panel Monitor	1		PP	C
P3100	Lavatory, Vitreous China, Slab Type	1		RPIE	A
X3150	Rack, Apron/Gloves, Wall Mounted	1		RPIE	A
X6450	Radiographic Unit, Dental, Wall Mounted, 15 mA	1		PP	C
X6505	Radiographic Unit, Dental, Panographic & Cephalometric	1		PP	C
X6605	Imager, Dental, Digital Image	1		PP	C
X6610	Sensor, Dental Imaging System	2		PP	C

Room Description: Dental X-Ray, Extraoral/Panoramic/Cephalometric (DNXS1)	NSF: 180	DNXS1	
Sheet Description: Equipment Schedule	Scale:	Sheet 6	of 6