

Room Description: Dental Treatment Room, Multi-Chair (DNTG4)

NSF: 380

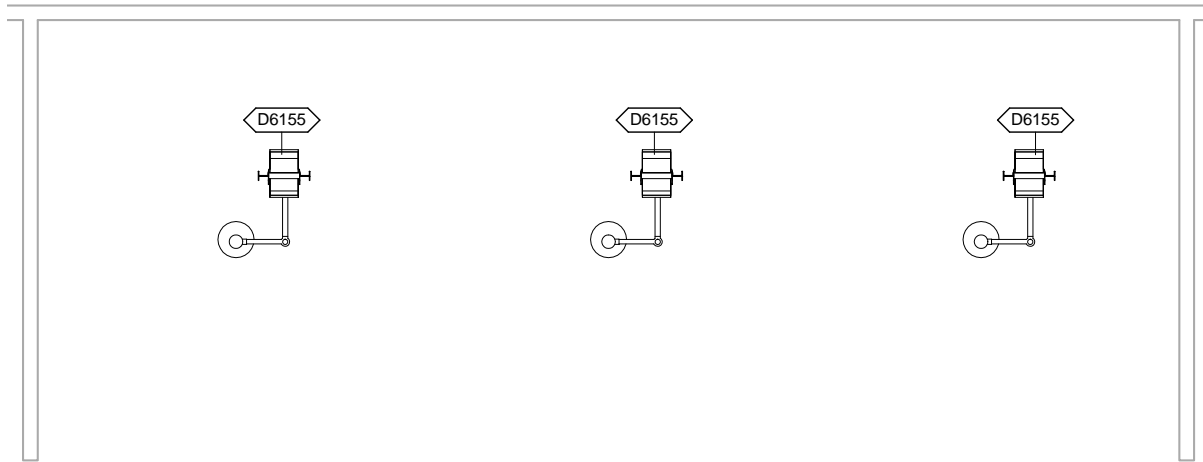
DNTG4

Sheet Description: Room/Equipment Isometric

Scale:

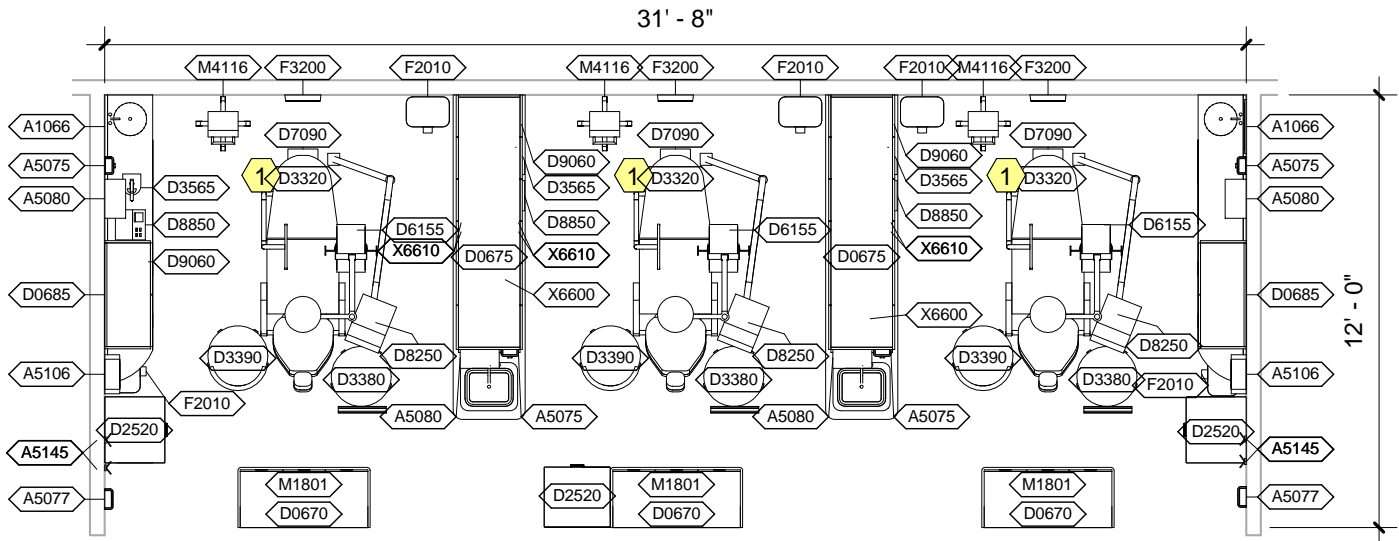
Sheet
1

of
5



DNTG4 - CEILING MOUNTED EQUIPMENT PLAN

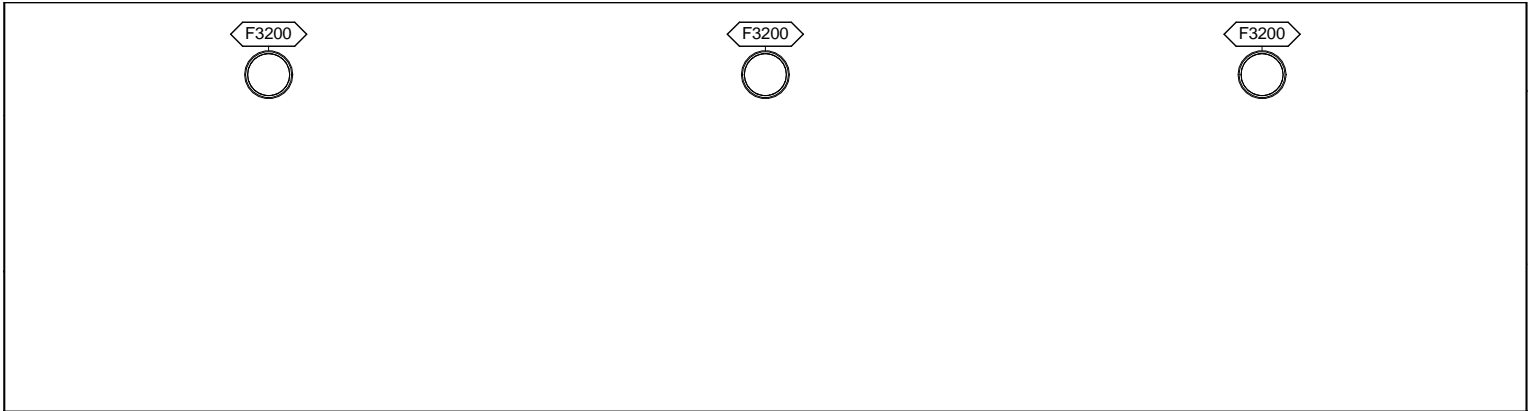
| | | | |
|---|-----------------------------|-------------------|----------------|
| Room Description: Dental Treatment Room, Multi-Chair (DNTG4) | NSF: 380 | DNTG4 | |
| Sheet Description: Ceiling Mounted Equipment Plan | Scale: 3/16" = 1'-0" | Sheet 2 | of 5 |



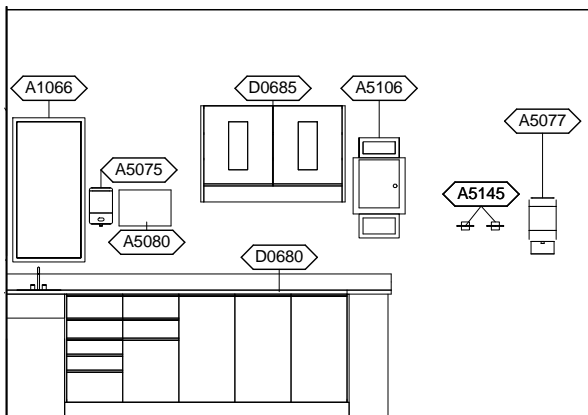
DNTG4 - NOTES

- 1 JSN D3320, Chair, Operating, Dental, should include option for monitor arm.

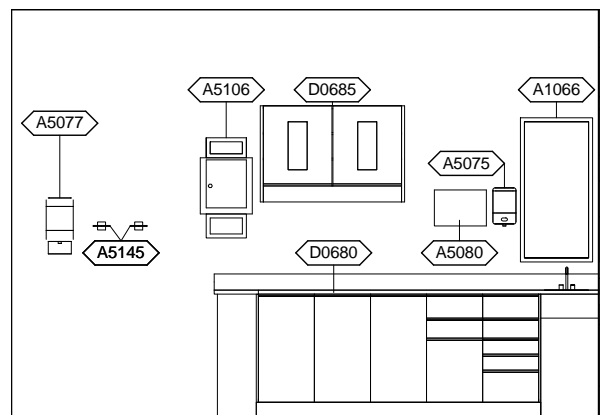
| | | | |
|---|-----------------------------|---------------------|------------------|
| Room Description: Dental Treatment Room, Multi-Chair (DNTG4) | NSF: 380 | <h1>DNTG4</h1> | |
| Sheet Description: Equipment Plan | Scale: 3/16" = 1'-0" | Sheet <h2>3</h2> | of <h2>5</h2> |



DNTG4 - NORTH ELEVATION



DNTG4 - EAST ELEVATION



DNTG4 - WEST ELEVATION

| | | | |
|---|----------------------------|---------------------|------------------|
| Room Description: Dental Treatment Room, Multi-Chair (DNTG4) | NSF: 380 | <h1>DNTG4</h1> | |
| Sheet Description: Interior Room Elevations | Scale: 1/4" = 1'-0" | Sheet <h2>4</h2> | of <h2>5</h2> |

DNTG4 - EQUIPMENT SCHEDULE

| JSN | Nomenclature | Qty | LF | Logistics | | | | Utilities | | | | | | |
|-------|---|-----|----|-----------|----|----|----|-----------|---|---|---|---|---|---|
| | | | | AR | NA | AF | VA | 1 | 2 | 3 | 4 | 5 | 6 | |
| A1066 | Mirror, Float Glass, With SS Frame | 2 | | A | A | A | A | - | - | - | - | - | - | - |
| A5075 | Dispenser, Soap, Disposable | 4 | | C | C | C | C | - | - | - | - | - | - | - |
| A5077 | Dispenser, Hand Sanitizer, Hands free | 2 | | C | C | C | C | - | - | - | - | - | - | - |
| A5080 | Dispenser, Paper Towel, SS, Surface Mounted | 4 | | A | A | A | A | - | - | - | - | - | - | - |
| A5106 | Waste Disposal Unit, Sharps w/Glove Dispenser | 2 | | C | A | C | C | - | - | - | - | - | - | - |
| A5145 | Hook, Garment, Double, SS, Surface Mounted | 4 | | A | A | A | A | - | - | - | - | - | - | - |
| D0670 | Console, Treatment Unit, Dental Operator | 3 | | A | A | A | A | D | A | - | - | - | - | - |
| D0675 | Console, Central, Dual Access, Dental Operator | 2 | | A | A | A | A | - | - | - | - | - | - | - |
| D0680 | Console, Accessory/Side, Dental Operator | 2 | | A | A | A | A | D | A | - | - | - | - | - |
| D0685 | Cabinet, Storage, Dental Operator, Wall MNTD | 2 | | A | A | A | A | - | - | - | - | - | - | - |
| D2520 | Cabinet, Mobile, Storage/Assistant, Dental | 3 | | C | C | C | C | - | - | - | - | - | - | - |
| D3320 | Chair, Operating, Dental | 3 | | C | C | C | C | B | A | H | - | - | - | D |
| D3380 | Stool, Operating, Dental, Doctor | 3 | | C | C | C | C | - | - | - | - | - | - | - |
| D3390 | Stool, Operating, Dental, Assistant | 3 | | C | C | C | C | - | - | - | - | - | - | - |
| D3565 | Resin Curing Unit, Visible Light | 3 | | C | C | C | C | - | A | - | - | - | - | - |
| D6155 | Light, Dental, Operating, Ceiling, Column | 3 | | A | A | A | A | - | F | - | - | - | - | - |
| D7090 | Utility Center, Dental, Wall or Floor Mounted | 3 | | A | A | - | - | B | A | H | - | - | - | - |
| D8250 | Delivery System, Dental Operating | 3 | | C | C | C | C | B | B | H | - | - | - | - |
| D8850 | Amalgamator, Dental | 3 | | C | C | C | C | - | A | - | - | - | - | - |
| D9060 | Prophylaxis Unit, Ultrasonic | 3 | | C | C | C | C | J | A | D | - | - | - | - |
| F2010 | Basket, Wastepaper, Step-On | 5 | | C | C | C | C | - | - | - | - | - | - | - |
| F3200 | Clock, Battery, 12" Diameter | 3 | | C | C | C | C | - | - | - | - | - | - | - |
| M1801 | Computer, Microprocessing, w/Flat Panel Monitor | 3 | | C | C | C | C | - | A | - | - | - | - | - |
| M4116 | Monitor, Vital Signs | 3 | | C | C | C | C | - | A | - | - | - | - | - |
| X6600 | Radiographic Unit, Dental, Wall Mounted, 7 mA | 2 | | C | C | - | - | - | A | - | - | - | - | B |
| X6610 | Sensor, Dental Imaging System | 6 | | C | C | C | C | - | - | - | - | - | - | - |

| | | | |
|---|-----------------|-------------------|----------------|
| Room Description: Dental Treatment Room, Multi-Chair (DNTG4) | NSF: 380 | DNTG4 | |
| Sheet Description: Equipment Schedule | Scale: | Sheet 5 | of 5 |