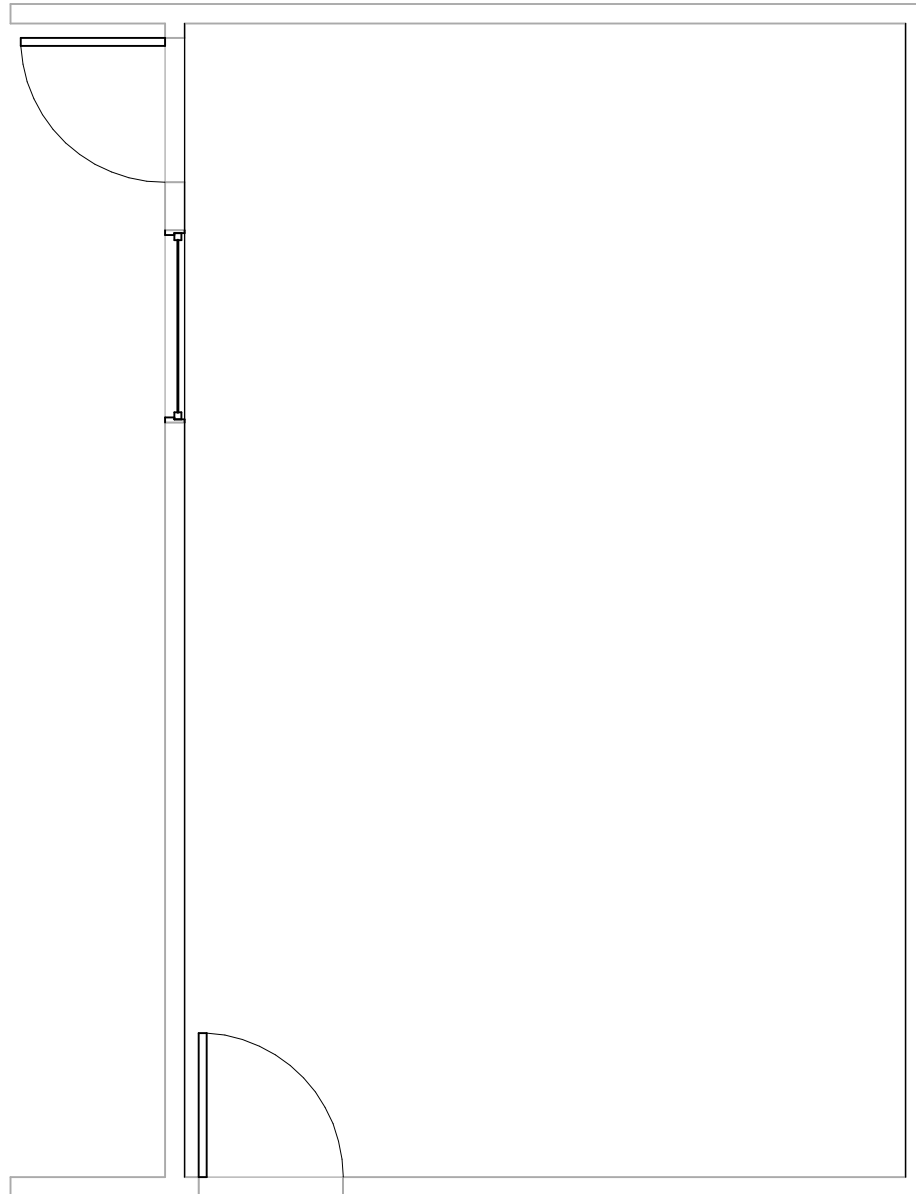
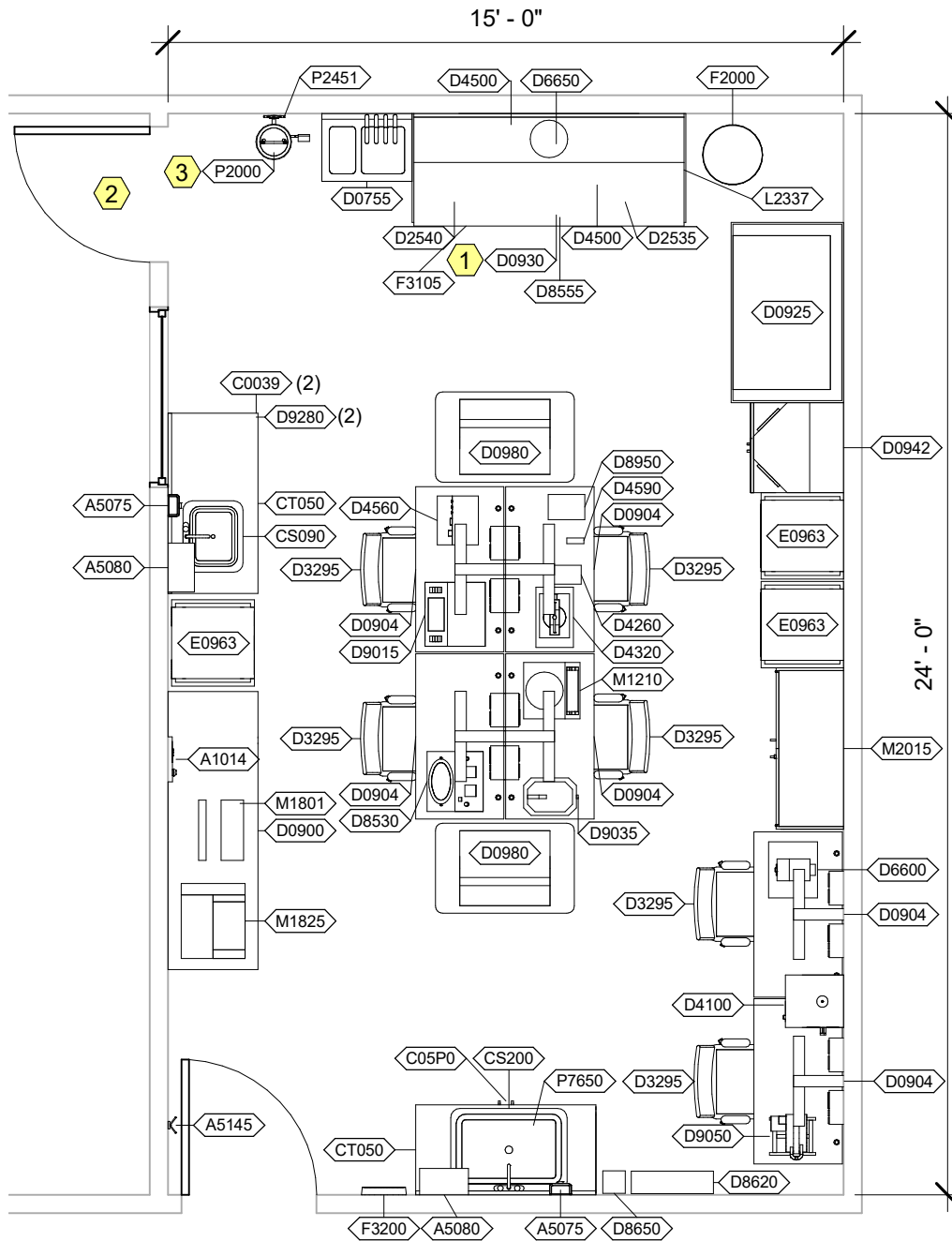


Room Description: Dental Laboratory, Prosthodontic, Full Service (DNPL3)	NSF: 360	DNPL3	
Sheet Description: Room/Equipment Isometric	Scale:	Sheet 1	of 7



DNPL3 - CEILING MOUNTED EQUIPMENT PLAN

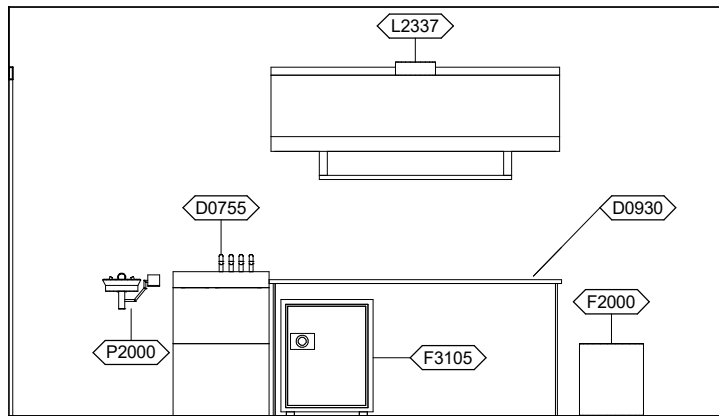
Room Description: Dental Laboratory, Prosthodontic, Full Service (DNPL3)	NSF: 360	DNPL3	
Sheet Description: Ceiling Mounted Equipment Plan	Scale: 1/4" = 1'-0"	Sheet 2	of 7



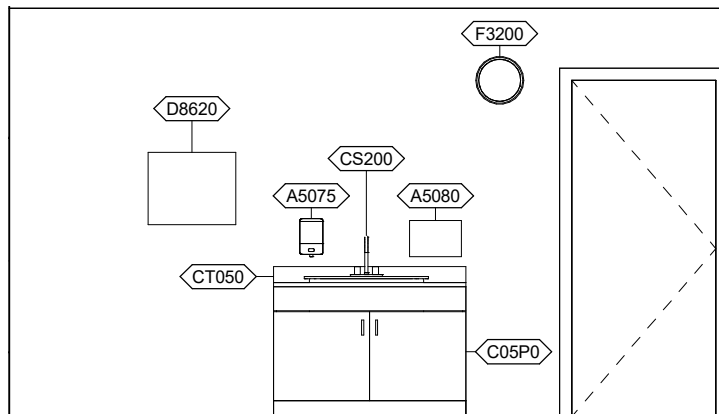
DNPL3 - NOTES

- 1 Provide casting ring cool-down with steel grid for JSN D0930, Workstation.
- 2 If DNPL3, Dental Laboratory, Prosthodontic, Full Service, is located adjacent to DNPC1, Dental, Porcelain/Ceramic Room, Medium, then coordinate the door and window locations.
- 3 JSN P1960, Eyewash, Counter Top, may be used instead of JSN P2000, Eyewash, Wall Mounted, Hands Free.

<p>Room Description: Dental Laboratory, Prosthodontic, Full Service (DNPL3)</p>	<p>NSF: 360</p>	<p>DNPL3</p>	
<p>Sheet Description: Equipment Plan</p>	<p>Scale: 1/4" = 1'-0"</p>	<p>Sheet 3</p>	<p>of 7</p>

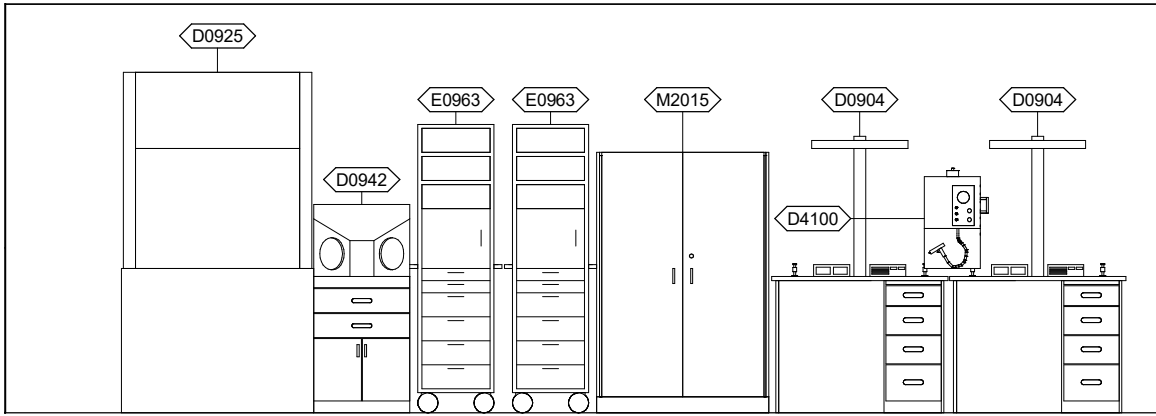


DNPL3 - NORTH ELEVATION

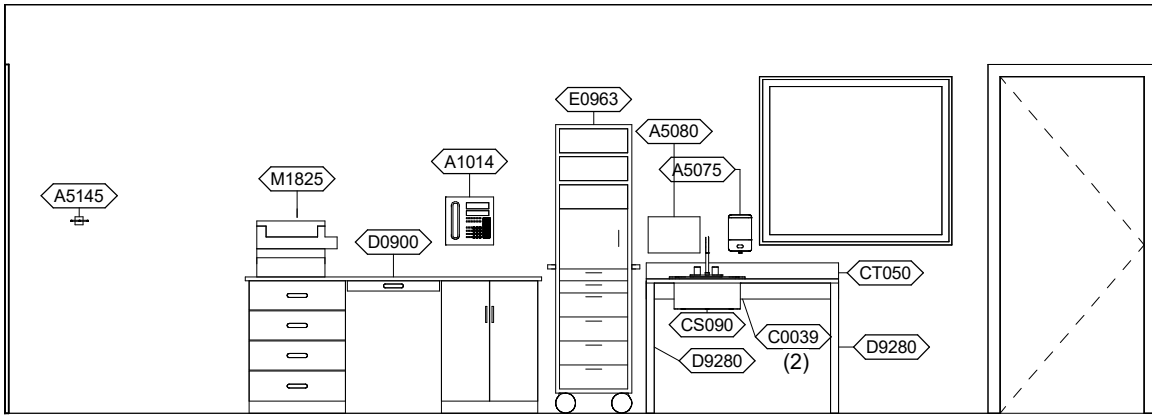


DNPL3 - SOUTH ELEVATION

Room Description: Dental Laboratory, Prosthodontic, Full Service (DNPL3)	NSF: 360	DNPL3	
Sheet Description: Interior Room Elevations	Scale: 1/4" = 1'-0"	Sheet 4	of 7



DNPL3 - EAST ELEVATION



DNPL3 - WEST ELEVATION

<p>Room Description: Dental Laboratory, Prosthodontic, Full Service (DNPL3)</p>	<p>NSF: 360</p>	<p>DNPL3</p>	
<p>Sheet Description: Interior Room Elevations</p>	<p>Scale: 1/4" = 1'-0"</p>	<p>Sheet 5</p>	<p>of 7</p>

DNPL3 - EQUIPMENT SCHEDULE

JSN	Nomenclature	Qty	LF	Funding Category	LOGCAT
A1014	Telephone, Wall Mounted, 1 Line, With Speaker 12x12	1		PP	C
A5075	Dispenser, Soap, Disposable	2		PP	C
A5080	Dispenser, Paper Towel, SS, Surface Mounted	2		PP	C
A5145	Hook, Garment, Double, SS, Surface Mounted	1		RPIE	A
C05P0	Cabinet, Sink, U/C/B, 2 Door, 36x48x22	1		RPIE	A
C0039	Rail, Apron, 4x48x1	2		RPIE	A
CS090	Sink, SS, Single Compartment, 7.5x19x16 ID	1		RPIE	A
CS200	Sink, SS, Single Compartment, 12x28x16 ID	1		RPIE	A
CT050	Countertop, Stainless Steel	2	4'-0"	RPIE	A
D0755	Tank Assembly, Boilout/Curing, Double	1		RPIE	A
D0900	Workstation, Dental Lab, Receiving	1		RPIE	A
D0904	Workstation, Tech, Dental, Lab, Single Station	6		RPIE	A
D0925	Hood, Fume, Dental Acrylic, Floor Standing	1		RPIE	A
D0930	Workstation, Dental Lab, Casting	1		RPIE	A
D0942	Workstation, Dental Lab, Microblasting	1		RPIE	A
D0980	Workstation, Dental Lab, Polishing, Single	2		RPIE	A
D2535	Welder, Tack, Orthodontic	1		PP	C
D2540	Casting Machine, Manual, Broken Arm	1		PP	C
D3295	Chair, Rotary, Laboratory, Dental	6		PP	C
D4100	Cleaner, Steam, Dental	1		PP	C
D4260	Handpiece, Laboratory, Dental, Electric	1		PP	C
D4320	Press, Flask, Hydraulic, Single Flask	1		PP	C
D4500	Furnace, Laboratory, Dental, Burnout	2		PP	C
D4560	Engine, Dental, Bench, Electric	1		PP	C
D4590	Chisel, Dental, Pneumatic	1		PP	C
D6600	Mixer / Investor, With Vacuum	1		PP	C
D6650	Former, Vacuum, With Motor, Vacuum Pump, Heater	1		PP	C
D8530	Polisher, Electrochemical	1		PP	C
D8555	Torch, Casting/Soldering, Dental	1		PP	C
D8620	Bin, Plaster, 3 Compartment	1		PP	C
D8650	Chute, Waste, Plaster, Counter Mounted	1		PP	C
D8950	Vibrator, Dental, Heavy Duty	1		PP	C
D9015	Microfinisher, Dental, Counter Mounted	1		PP	C
D9035	Driver, Model Indexing Pins	1		PP	C
D9050	Trimmer, Model, Dental, 1/4 HP	1		PP	C
D9280	Legs, Rail, Apron	2		RPIE	A
E0963	Cart, General Storage, Mobile	3		PP	C
F2000	Basket, Wastepaper, Fire Resistant	8		PP	C
F3105	Safe, F/S , Class 5	1		PP	C
F3200	Clock, Battery, 12" Diameter	1		PP	C
L2337	Canopy, Hood, Fume	1		RPIE	A

Room Description: Dental Laboratory, Prosthodontic, Full Service (DNPL3)	NSF: 360	DNPL3	
Sheet Description: Equipment Schedule	Scale:	Sheet 6	of 7

DNPL3 - EQUIPMENT SCHEDULE Part 2

JSN	Nomenclature	Qty	LF	Funding Category	LOGCAT
M1210	Balance, Electronic, Laboratory/Pharmacy	1		PP	C
M1801	Computer, Microprocessing, w/Flat Panel Monitor	1		PP	C
M1825	Printer, Computer	1		PP	C
M2015	Cabinet, Storage, Flammable, Freestanding	1		PP	C
P2000	Eyewash, Wall Mounted, Hands-Free	1		RPIE	A
P2451	Valve, Mixing, Thermostatic, Eyewash	1		RPIE	A
P7650	Trap, Plaster, Small	1		RPIE	A

Room Description: Dental Laboratory, Prosthodontic, Full Service (DNPL3)	NSF:	DNPL3	
Sheet Description:	Scale:	Sheet 7	of 7