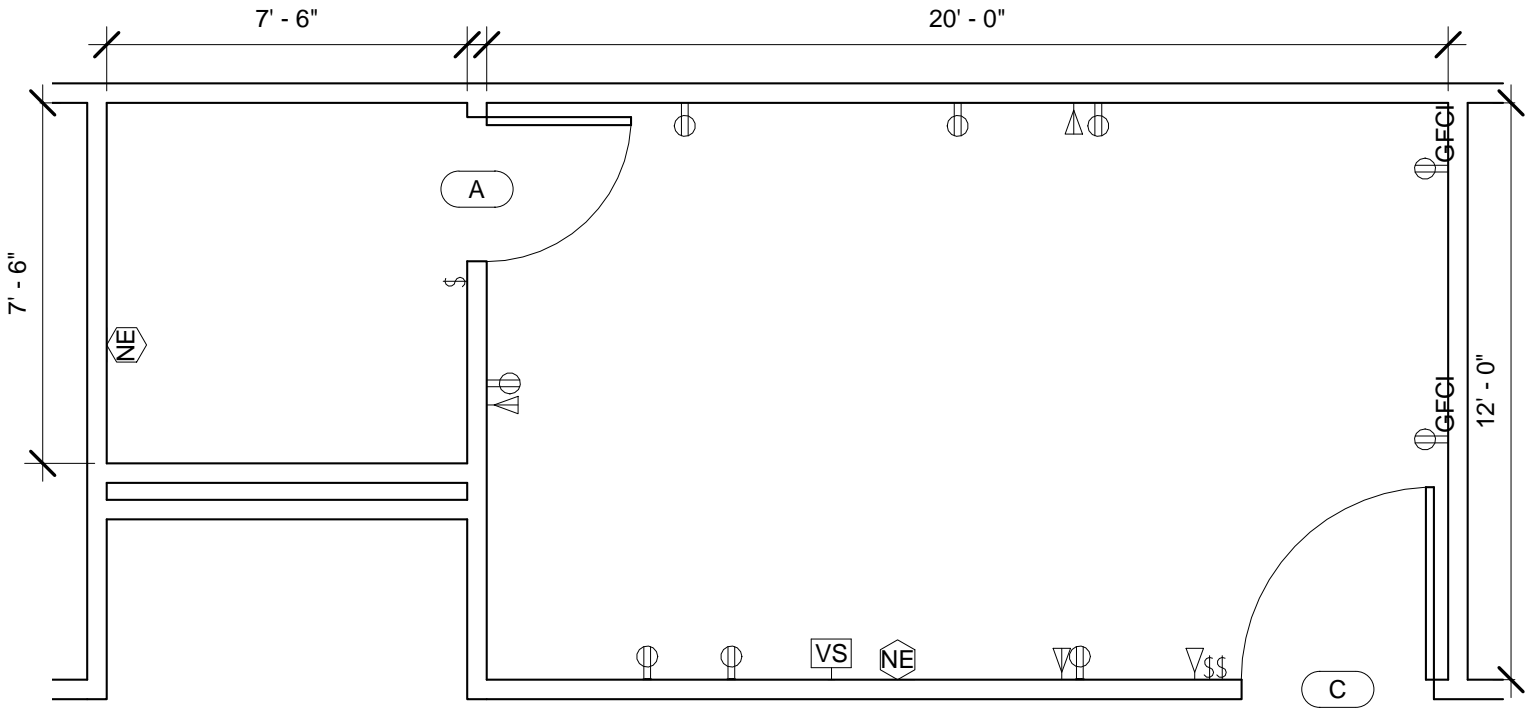


TRPE1 - INTERIOR DESIGN										
Floor Finish		Wall Finish		Ceiling Finish		Room Height	Room Noise			
Preferred	Alternate	Preferred	Alternate	Preferred	Alternate	ft - in	Min NC	Max NC	SC	
SV	VT	GLG		GLG		9' - 0"	30	35	45	

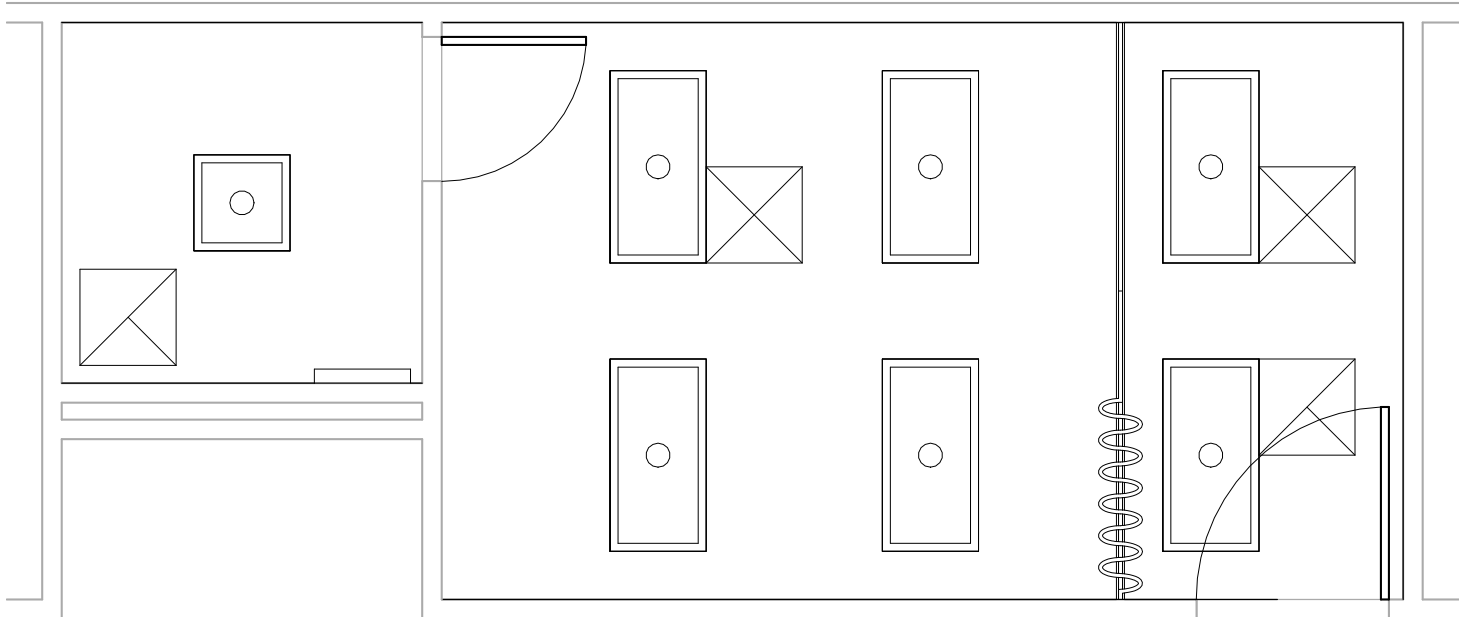
TLTU1 - INTERIOR DESIGN										
Floor Finish		Wall Finish		Ceiling Finish		Room Height	Room Noise			
Preferred	Alternate	Preferred	Alternate	Preferred	Alternate	ft - in	Min NC	Max NC	SC	
CT	VT	GPT	CT	GPT	AT1	8' - 0"	35	40	40	

TRPE1/TLTU1 - DOOR SCHEDULE					
Mark	Type	Count	Height	Width	Notes
			ft - in	ft - in	
A	Single-Flush	1	7' - 0"	3' - 0"	
C	Single-Flush	1	7' - 0"	4' - 0"	

Room Description: Treatment Room, Proctoscopy (LGI) (TRPE1/TLTU1)	NSF: 240 60	TRPE1/TLTU1	
	Scale:		
Plate Description: Room/Equipment Isometric			

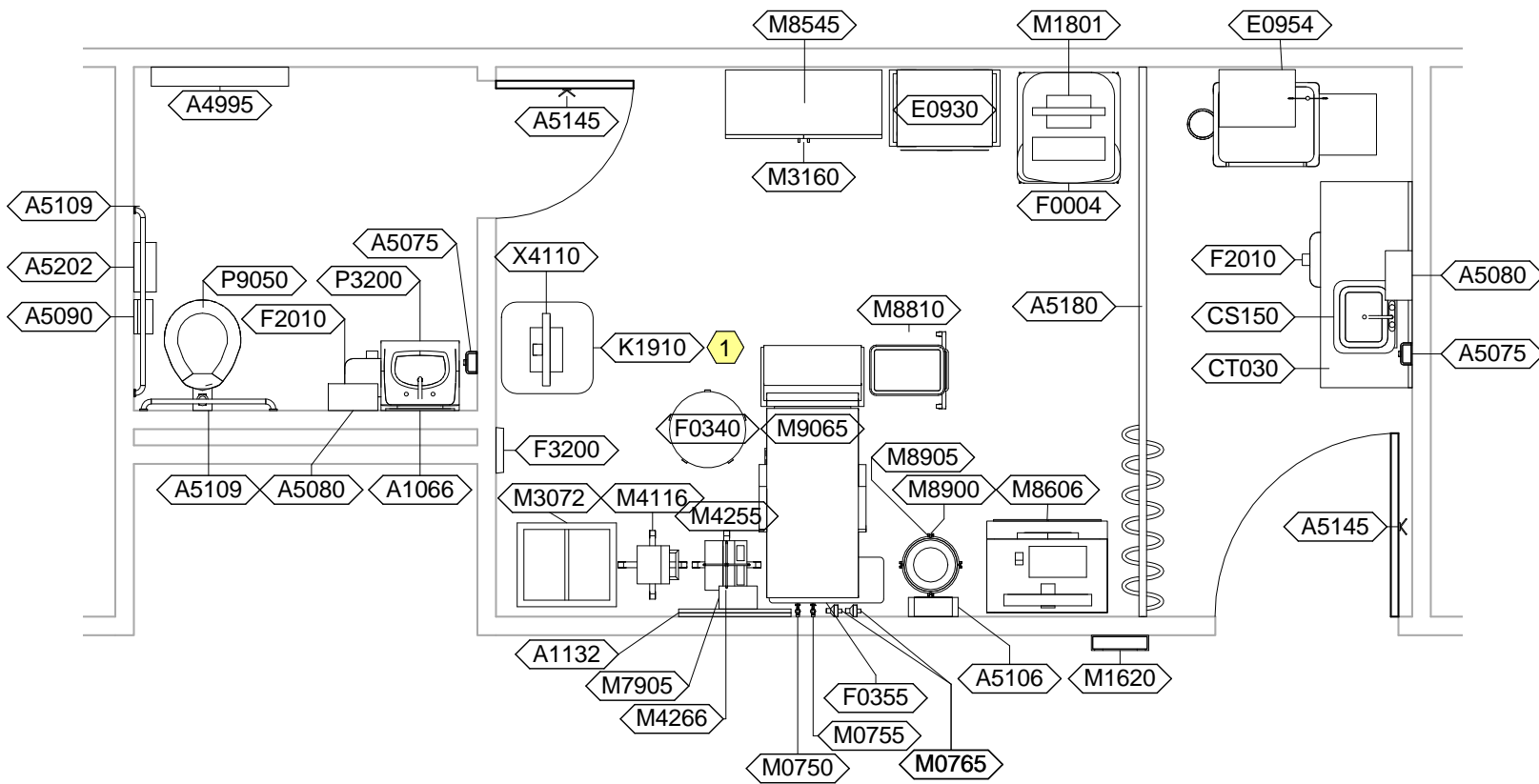


TRPE1/TLTU1 - FLOOR PLAN



TRPE1/TLTU1 - CEILING PLAN

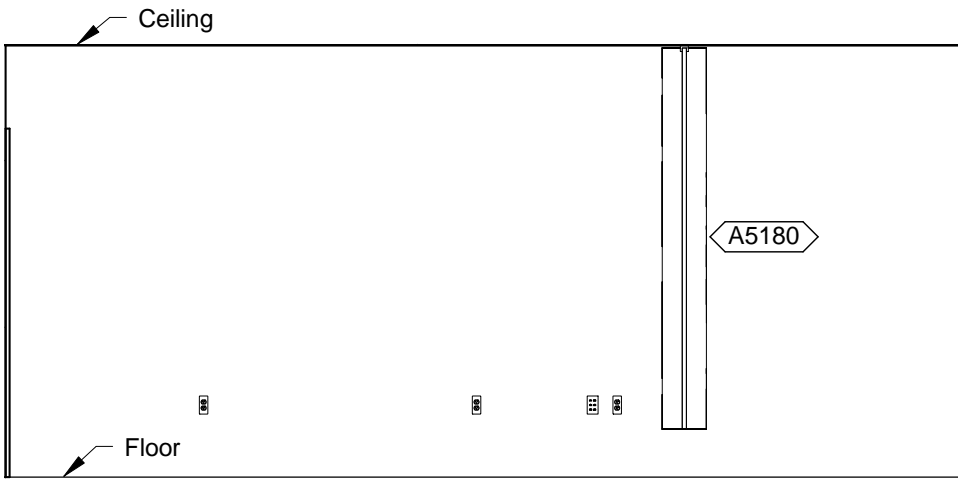
Room Description: Treatment Room, Proctoscopy (LGI) (TRPE1/TLTU1)	NSF: 240 60	TRPE1/TLTU1	
Plate Description: Floor & Ceiling Plans	Scale: 1/4" = 1'-0"	Sheet 2	of 7



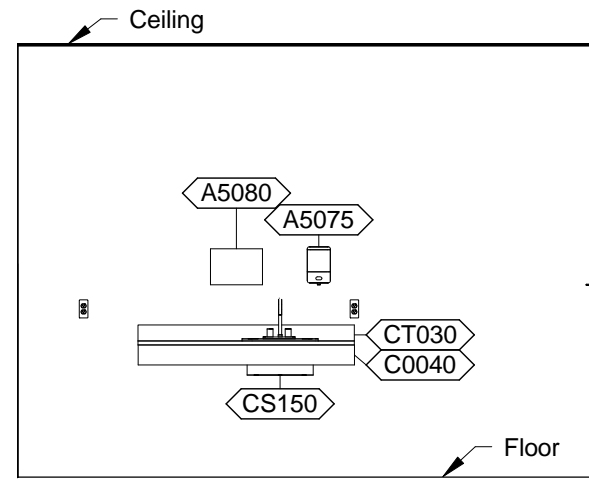
TRPE1/TLTU1 - NOTES

- 1 JSN K1910, Table, shall be 24" wide and 24" deep with casters.

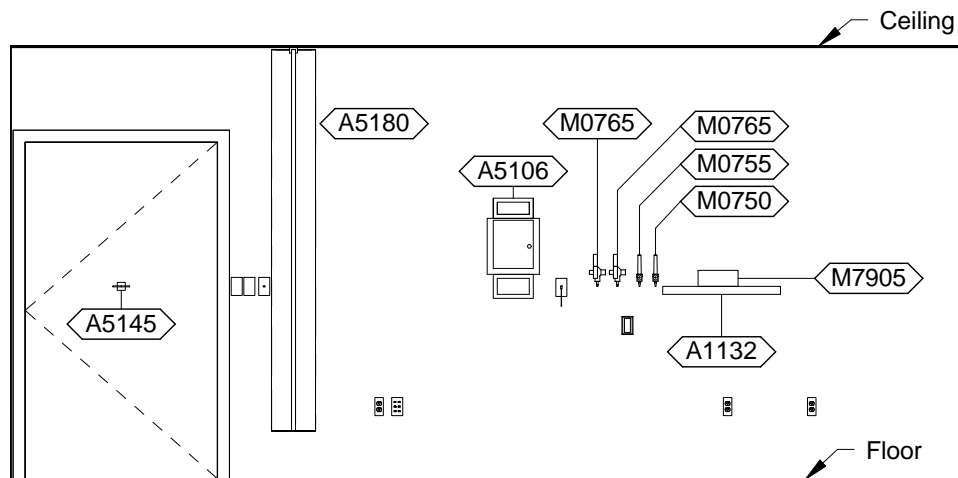
Room Description: Treatment Room, Proctoscopy (LGI) (TRPE1/TLTU1)	NSF: 240 60	TRPE1/TLTU1	
Plate Description: Equipment Plan	Scale: 1/4" = 1'-0"	Sheet 3	of 7



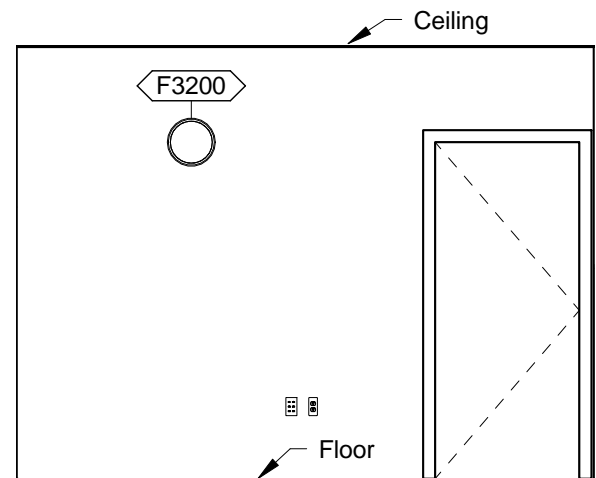
TRPE1 - PLAN NORTH



TRPE1 - PLAN EAST

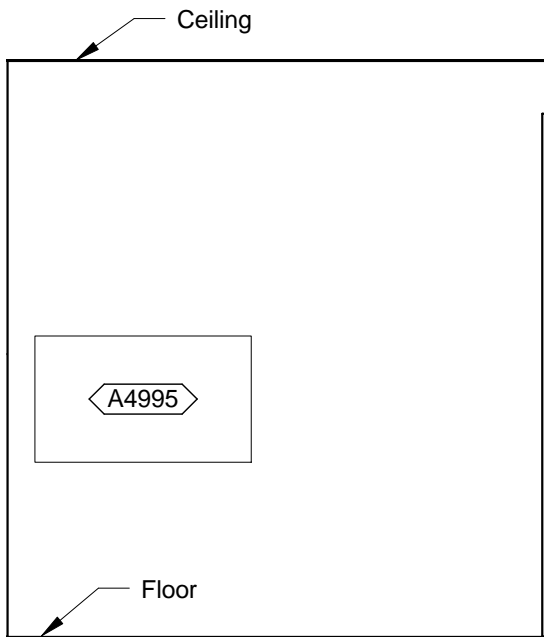


TRPE1 - PLAN SOUTH

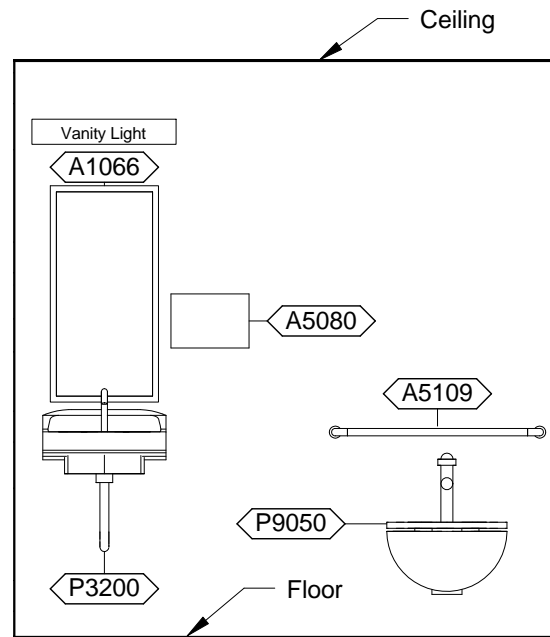


TRPE1 - PLAN WEST

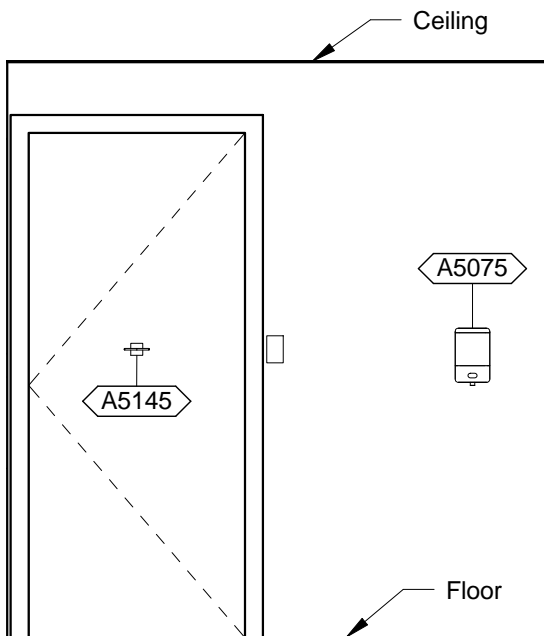
Room Description: Treatment Room, Proctoscopy (LGI) (TRPE1/TLTU1)	NSF: 240 60	TRPE1/TLTU1	
Plate Description: Interior Room Elevations	Scale: 1/4" = 1'-0"	Sheet 4	of 7



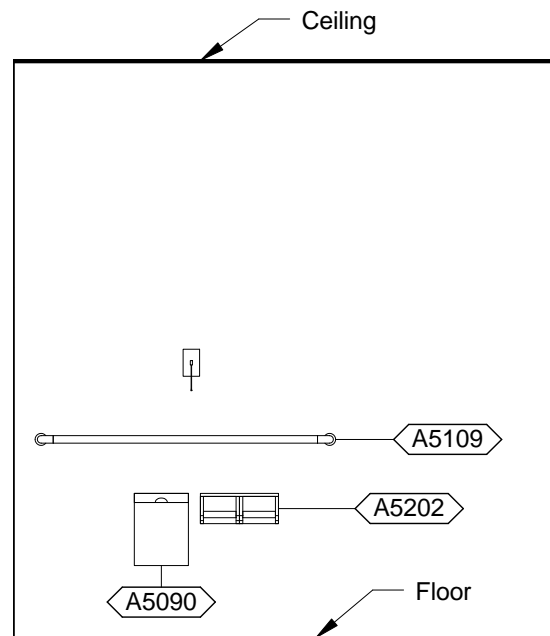
TLTU1 - PLAN NORTH



TLTU1 - PLAN SOUTH



TLTU1 - PLAN EAST



TLTU1 - PLAN WEST

Room Description: Treatment Room, Proctoscopy (LGI) (TRPE1/TLTU1)	NSF: 240 60	TRPE1/TLTU1	
Plate Description: Interior Room Elevations	Scale: 3/8" = 1'-0"	Sheet 5	of 7

TRPE1 - EQUIPMENT SCHEDULE

JSN	Nomenclature	Qty	AR	Logistics				Utilities					
				NA	AF	VA	1	2	3	4	5	6	
A1132	Rail, Accessory Mounting, Length As Required	1	C	C	C	C	-	-	-	-	-	-	
A5075	Dispenser, Soap, Disposable	1	C	C	C	C	-	-	-	-	-	-	
A5080	Dispenser, Paper Towel, SS, Surface Mounted	1	A	A	A	A	-	-	-	-	-	-	
A5106	Waste Disposal Unit, Sharps w/Glove Dispenser	1	C	A	C	C	-	-	-	-	-	-	
A5180	Track, Cubicle, Surface Mounted, With Curtain	1	A	A	A	A	-	-	-	-	-	-	
C0040	Rail, Apron, 4x54x1	2	A	A	A	A	-	-	-	-	-	-	
CS150	Sink, SS, Single Compartment, 10x19x16 ID	1	A	A	A	A	D	-	-	-	-	-	
CT030	Countertop, High Pressure Laminate	1	A	A	A	A	-	-	-	-	-	-	
E0930	Locker, Supply, 6 Drawers, Mobile, 29"W x 20"D	1	C	C	C	C	-	-	-	-	-	-	
E0954	Cart, Emergency, Mobile, 66"H x 52"W x 22"D	1	C	C	C	C	-	-	-	-	-	-	
F0004	Mobile, Workstation	1	C	C	C	C	-	-	-	-	-	-	
F0340	Stool, Self Adjusting	1	C	C	C	C	-	-	-	-	-	-	
F0355	Footstool, Straight	1	C	C	C	C	-	-	-	-	-	-	
F2010	Basket, Wastepaper, Step-On	1	C	C	C	C	-	-	-	-	-	-	
F3200	Clock, Battery, 12" Diameter	1	C	C	C	C	-	-	-	-	-	-	
K1910	Table, Work, Stainless Steel	1	A	A	A	A	-	-	-	-	-	-	
M0750	Flowmeter, Air, Connect w/50 PSI Supply	1	C	C	C	C	-	-	K	-	-	-	
M0755	Flowmeter, Oxygen, Low Flow	1	C	C	C	C	-	-	A	-	-	-	
M0765	Regulator, Vacuum	2	C	C	C	C	-	-	B	-	-	-	
M1620	Holder, Chart, Patient, Wall or Door Mounted	1	A	A	A	A	-	-	-	-	-	-	
M1801	Computer, Microprocessing, w/Flat Panel Monitor	1	C	C	C	C	-	A	-	-	-	-	
M3072	Frame, Infectious Waste Bag w/Lid	1	C	C	C	C	-	-	-	-	-	-	
M3160	Cabinet, Storage, Hanging Scopes	1	C	C	C	C	-	-	-	-	-	-	
M4116	Monitor, Vital Signs	1	C	C	C	C	-	A	-	-	-	-	
M4255	Stand, IV, Adjustable	1	C	C	C	C	-	-	-	-	-	-	
M4266	Pump, Volumetric, Infusion, Multiple Line	1	C	C	C	C	-	A	-	-	-	-	
M7905	Oximeter, Pulse	1	C	C	C	C	-	A	-	-	-	-	
M8545	Sigmoidoscope, Fiberoptic, Therapeutic	1	C	C	C	C	-	-	-	-	-	-	
M8606	Endoscopy Cart, Fiberoptic, w/Video Accessories	1	C	C	C	C	-	A	-	E	-	-	
M8810	Stand, Mayo	1	C	C	C	C	-	-	-	-	-	-	
M8900	Carriage, Pail, CRS, Without Pail	1	C	C	C	C	-	-	-	-	-	-	
M8905	Pail, Utility, CRS, Without Carriage	1	C	C	C	C	-	-	-	-	-	-	
M9065	Table, Examination, Proctology, Electro/Hydraulic	1	C	C	C	C	-	A	-	-	-	-	
X4110	Console, PACS, Remote View, 512 X 512, 1 Monitor	1	F	F	F	F	-	B	-	-	-	-	

Room Description: Treatment Room, Proctoscopy (LGI) (TRPE1/TLTU1)	NSF: 240 60	TRPE1/TLTU1	
Plate Description: Equipment Schedule	Scale:	Sheet 6	of 7

TLTU1 - EQUIPMENT SCHEDULE

JSN	Nomenclature	Qty	AR	Logistics			Utilities					
				NA	AF	VA	1	2	3	4	5	6
A1066	Mirror, Float Glass, With SS Frame	1	A	A	A	A	-	-	-	-	-	-
A4995	Table, Diaper Changing, Wall Mounted	1	A	A	A	A	-	-	-	-	-	-
A5075	Dispenser, Soap, Disposable	1	C	C	C	C	-	-	-	-	-	-
A5080	Dispenser, Paper Towel, SS, Surface Mounted	1	A	A	A	A	-	-	-	-	-	-
A5090	Disposal, Sanitary Napkin, SS, Surface Mounted	1	A	A	A	A	-	-	-	-	-	-
A5109	Grab Bar, 1-1/4" Dia., SS, 2 Wall, W/C Accessible	2	A	A	A	A	-	-	-	-	-	-
A5145	Hook, Garment, Double, SS, Surface Mounted	1	A	A	A	A	-	-	-	-	-	-
A5202	Dispenser, Toilet Paper w/Utility Shelf, SS, 2-Roll	1	A	A	A	A	-	-	-	-	-	-
F2010	Basket, Wastepaper, Step-On	1	C	C	C	C	-	-	-	-	-	-
P3200	Lavatory, Vitreous China, Slab Type w/Sens Op Fauc	1	A	A	A	A	D	-	-	-	-	-
P9050	Toilet, Wall Hung, Siphon Jet	1	A	A	A	A	B	-	-	-	-	-

TRPE1 - DATA/TELEPHONE EQUIPMENT

JSN	Nomenclature	Qty	AR	Logistics		
				NA	AF	VA
A1010	Telecommunication Outlet	3	A	A	A	A
A1014	Telephone, Wall Mounted, 1 Line, with Speaker	1	A	A	A	A

Room Description: Treatment Room, Proctoscopy (LGI) (TRPE1/TLTU1)	NSF: 240 60	TRPE1/TLTU1	
Plate Description: Equipment Schedule	Scale:	Sheet 7	of 7