

KEY NOTES

1. PROVIDE A1165, IV TRACKS, FOR NAVY PROJECTS ONLY.

TREATMENT ROOM,
ENDOSCOPY EXAM (UGI) (TREE1)

SPECIALTY MEDICAL CLINICS

CEILING PLAN

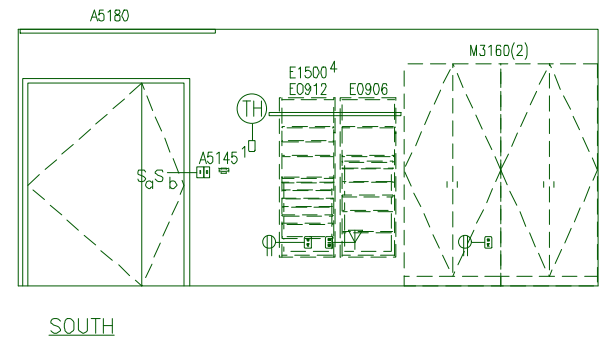
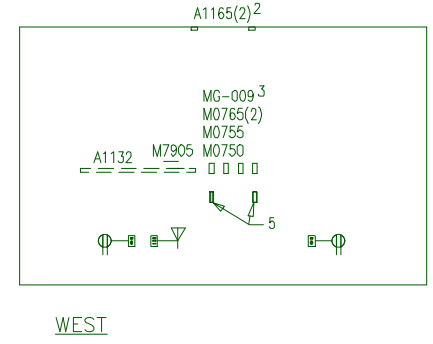
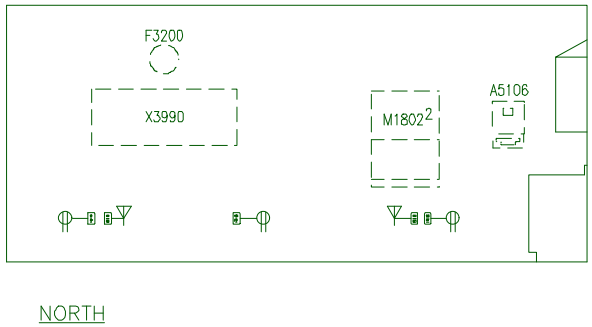
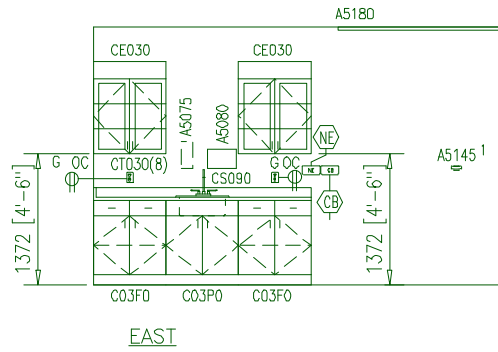
26.01 NSM (280 NSF)

0 1000 2000



DATE: 01/28/2002

1:50 SCALE (MILLIMETERS)



- KEY NOTES**
1. MOUNT A5145, HOOK, AT 1372 [4'-6"] AFF. PROVIDE 2-A5145'S FOR NAVY PROJECTS ONLY. MOUNT 1-A5145 AT 1372 [4'-6"] AFF AND 1-A5145 AT 1524 [5'-0"] AFF.
 2. COORDINATE LOCATIONS OF ELECTRICAL AND DATA OUTLETS WITH M1802, WALL MOUNTED, FOLD DOWN COMPUTER.

- KEY NOTES**
1. MOUNT A5145, HOOK, AT 1219 [4'-0"] AFF.
 2. PROVIDE A1165, IV TRACKS, FOR NAVY PROJECTS ONLY.
 3. PROVIDE BOTTLED GAS IF BUILDING PIPED MCA AND OX ARE NOT AVAILABLE.
 4. LENGTH OF E1500, WALL MOUNTED RAIL, TO BE DETERMINED BY MANUFACTURER/INSTALLER.
 5. VACUUM SLIDE.

- General Notes:**
1. For typical equipment mounting heights see "TYPICAL EQUIPMENT MOUNTING HEIGHTS" drawing.
 2. MIL-STD-1691 data can only be accessed from the Equipment Plan.

**TREATMENT ROOM,
ENDOSCOPY EXAM (UGI) (TREE1)**

SPECIALTY MEDICAL CLINICS	0 1000 2000
ELEVATIONS	26.01 NSM (280 NSF)

DATE: 01/28/2002 1:50 SCALE (MILLIMETERS)

Project Rooms (User Contents Only)

As of 10/04/2005

Page 1

Room Code: TREE1 Room Qty: 1 Room Area: 279.97 Room Description: TX ROOM ENDOSCOPIC EXAM (UGI)

JSN	NOMENCLATURE	Qty	UNIT	LOG	Ut1	Ut1	Ut1	Ut1	Ut1	Ut1
			ISSUE	CAT	1	2	3	4	5	6

Equipment per Room:

A1132	Rail, Accessory Mounting, Length As Required	1	LF	C
A1165	Track, IV, Ceiling Mounted, 7 Foot	2	EA	A
A5075	Dispenser, Soap, Disposable	1	EA	C
A5080	Dispenser, Paper Towel, SS, Surface Mounted	1	EA	A
A5106	Waste Disposal Unit, Sharps w/Glove Dispenser	1	EA	C
A5145	Hook, Garment, Double, SS, Surface Mounted	2	EA	A
A5180	Track, Cubicle, Surface Mounted, With Curtain	1	FT	A
C03F0	Cabinet, U/C/B, 1 Shelf, 2 Half DR, 2 DO, 36x30x	2	EA	A
C03P0	Cabinet, Sink, U/C/B, 2 Door, 36x30x22	1	EA	A
CE030	Cabinet, W/H, 2 SH, 2 GDO, Sloping Top, 38x30x13	2	EA	A
CS150	Sink, SS, Single Compartment, 10x19x16 ID	1	EA	A	D
CT030	Countertop, High Pressure Laminate	8	LF	A
E0906	Locker, Supply, General, Wall Mtd, 23"W x 20"D	1	EA	C
E0912	Locker, Supply, Med Surg, Wall Mtd	1	EA	C
E0948	Cart, General Storage, Mobile, 42"H x 32"W x 22"	1	EA	C
E0954	Cart, Emergency, Mobile, 66"H x 52"W x 22"D	1	EA	C
E1500	Rail, MOD, W/MNTD, HX144XD	1	EA	C
F0205	Chair, Side With Arms	1	EA	C
F0340	Stool, Self Adjusting	1	EA	C
F0355	Footstool, Straight	1	EA	C
F2000	Basket, Wastepaper, Round, Metal, 18 H x 16 Dia.	1	EA	C
F3200	Clock, Battery, 12" Diameter	1	EA	C
M0750	Flowmeter, Air, Connect w/50 PSI Supply	1	EA	C	.	.	K	.	.	.
M0755	Flowmeter, Oxygen, Low Flow	1	EA	C	.	.	A	.	.	.
M0765	Regulator, Vacuum	2	EA	C	.	.	B	.	.	.
M1620	Holder, Chart, Patient, Wall or Door Mounted	1	EA	A
M1802	Work Station, Computer, Retractable, Wall Mount	1	EA	C	.	G	.	.	.	D
M3070	Hamper, Linen, Mobile, w/Lid	1	EA	C
M3072	Frame, Infectious Waste Bag w/Lid	1	EA	C
M3160	Cabinet, Storage, Hanging Scopes	2	EA	C
M3175	Electrosurgical Unit, Dual Output	1	EA	C	.	A
M4116	Monitor, Vital Signs	1	EA	C	.	A
M4255	Stand, IV, Adjustable	1	EA	C

M4266	Pump, Volumetric, Infusion, Multiple Line	1	EA	C	.	A
M4665	Stretcher, Recovery, Surgical	1	EA	C
M7470	Light, Surgical, Ceiling, Single, Small	1	EA	E	.	F
M7660	Defibrillator/Monitor/Recorder, Portable	1	EA	C	.	A
M7905	Oximeter, Pulse	1	EA	C	.	A
M8510	Colonoscope, Fiberoptic, Therapeutic	1	EA	C
M8513	Duodenoscope, Fiberoptic, Therapeutic	1	EA	C
M8515	Gastroscope, Fiberoptic, Therapeutic	1	EA	C
M8517	Enteroscope, Fiberoptic, Therapeutic	1	EA	C
M8545	Sigmoidoscope, Fiberoptic, Therapeutic	1	EA	C
M8607	Endoscopy Cart, Fiberoptic, w/Video, Info. Mgmt.	1	EA	C	.	A	.	E	.	.
M8810	Stand, Mayo	1	EA	C
M8830	Table, Instrument/Dressing, Mobile, 34x20x16	1	EA	C
M8900	Carriage, Pail, CRS, Without Pail	1	EA	C
M8905	Pail, Utility, CRS, Without Carriage	1	EA	C
X3990	Illuminator, Film, 4 Panels, Wall Mounted	1	EA	C	.	A

=====

GRAND TOTAL

62