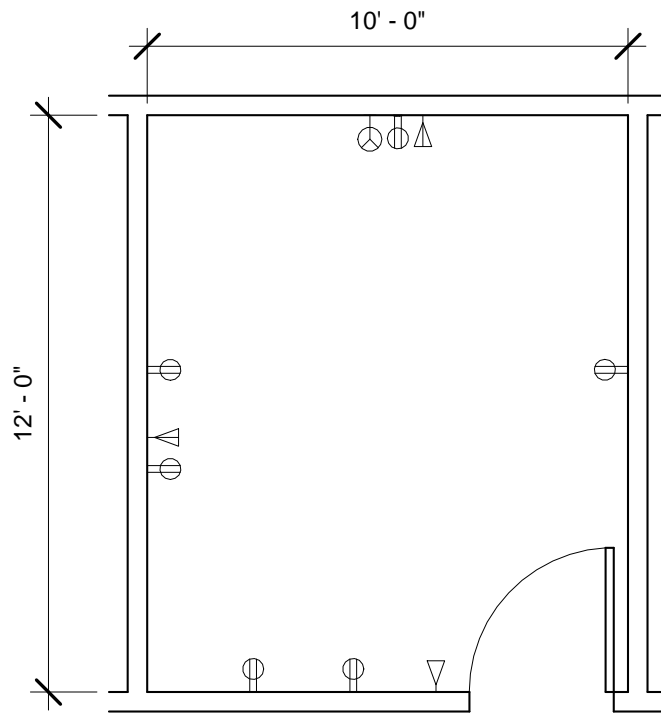
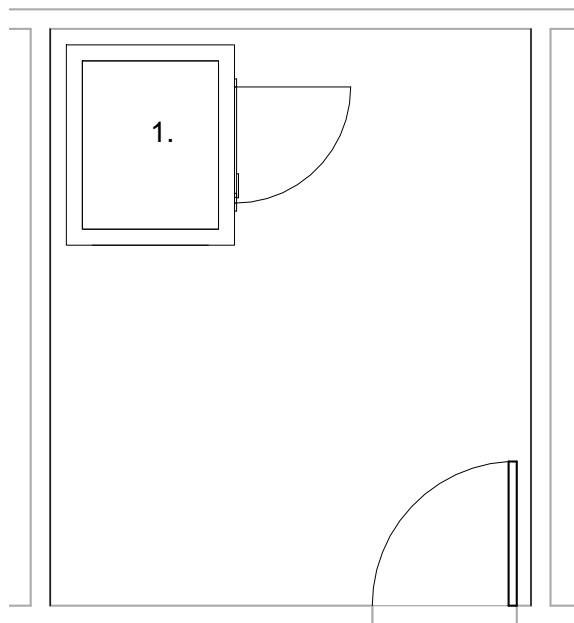


Room Description: Hearing/Screening Booth, 1 Person (PEHS1)	NSF: 120	PEHS1	
Sheet Description: Room/Equipment Isometric	Scale:	Sheet 1	of 5



PEHS1 - FLOOR PLAN

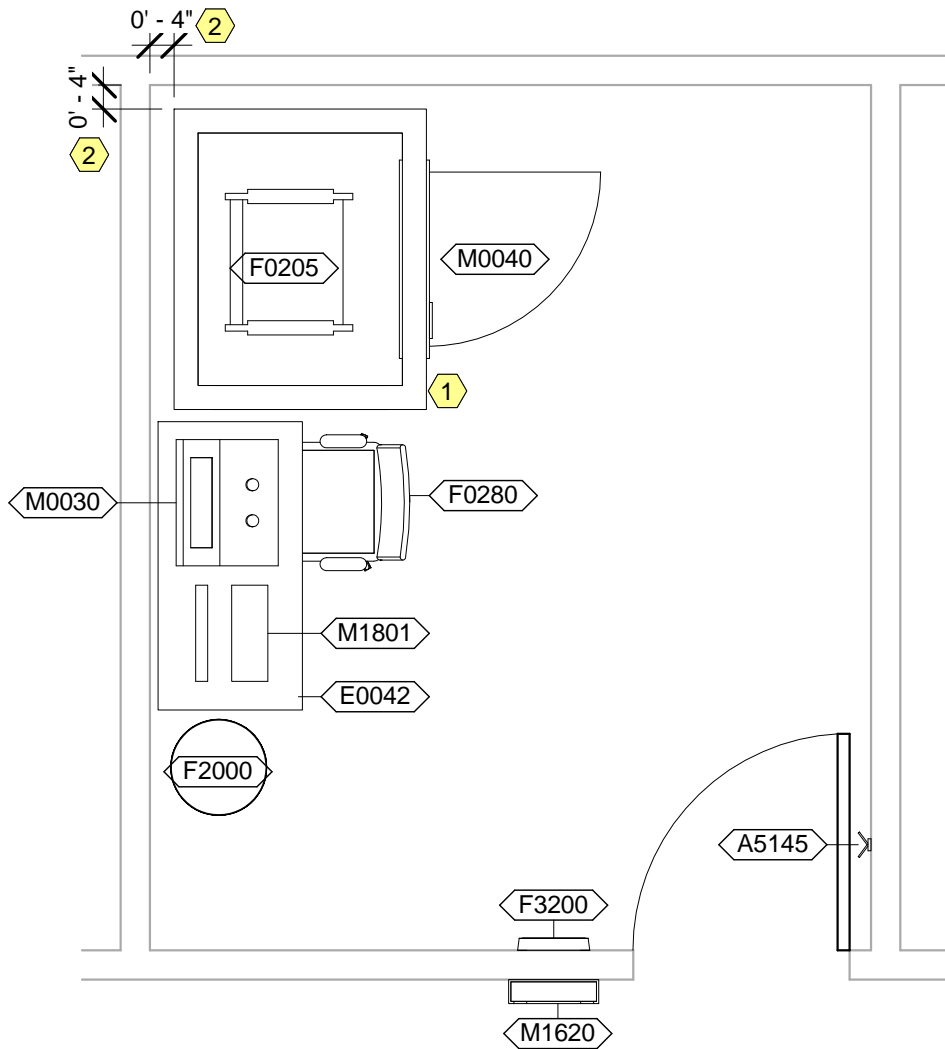


PEHS1 - CEILING MOUNTED EQUIPMENT PLAN

NOTE:

1. Room will require a junction box (20 amp 110V) in the ceiling for audio booth hookups.

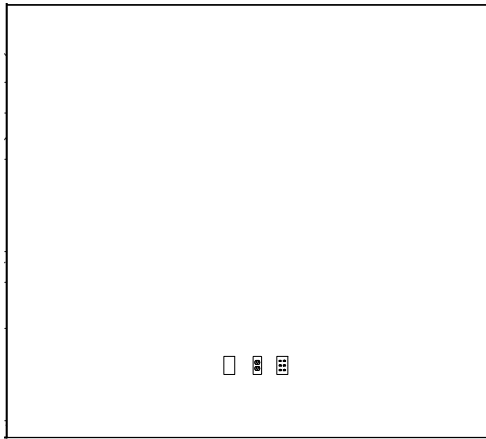
Room Description: Hearing/Screening Booth, 1 Person (PEHS1)	NSF: 120	PEHS1	
Sheet Description: Floor & Ceiling Mounted Equipment Plan	Scale: 1/4" = 1'-0"	Sheet 2	of 5



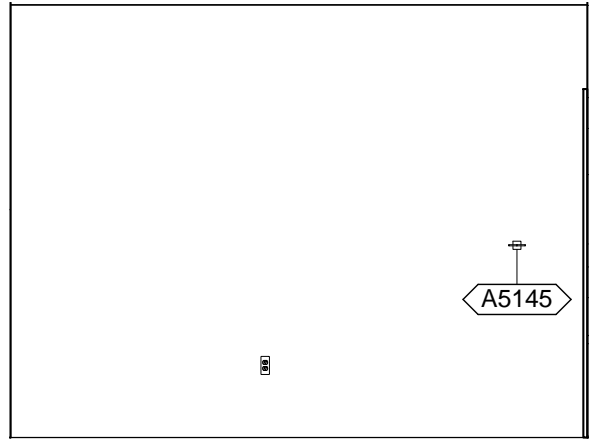
PEHS1 - NOTES

- 1 Slab shall be recessed at the audio booth location in order to comply with ABA. Provide ABA compliant approach to testing booth where slab cannot be recessed.
- 2 Coordinate with manufacturer's venting and ceiling requirements for the M0040, Audio Booth.

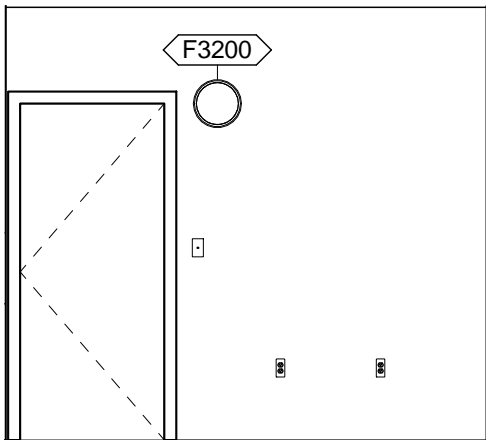
Room Description: Hearing/Screening Booth, 1 Person (PEHS1)	NSF: 120	PEHS1	
Sheet Description: Equipment Plan	Scale: 3/8" = 1'-0"	Sheet 3	of 5



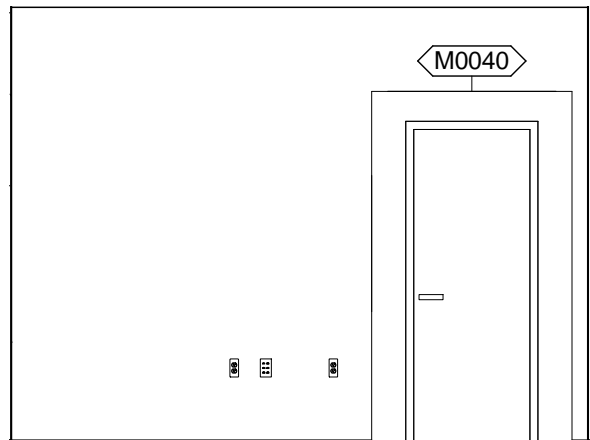
PEHS1 - NORTH ELEVATION



PEHS1 - EAST ELEVATION



PEHS1 - SOUTH ELEVATION



PEHS1 - WEST ELEVATION

Room Description: Hearing/Screening Booth, 1 Person (PEHS1)	NSF: 120	PEHS1	
Sheet Description: Interior Room Elevations	Scale: 1/4" = 1'-0"	Sheet 4	of 5

PEHS1 - EQUIPMENT SCHEDULE

JSN	Nomenclature	Qty	LF	AR	Logistics			Utilities					
					NA	AF	VA	1	2	3	4	5	6
E0042	Workcenter, Computer, Free Standing, 48" W	1		C	C	C	C	-	-	-	-	-	-
F0205	Chair, Side With Arms	1		C	C	C	C	-	-	-	-	-	-
F0280	Chair, Swivel, Low Back	1		C	C	C	C	-	-	-	-	-	-
F2000	Basket, Wastepaper, Round, Metal	1		C	C	C	C	-	-	-	-	-	-
F3200	Clock, Battery, 12" Diameter	1		C	C	C	C	-	-	-	-	-	-
M0030	Audiometer, Diagnostic	1		C	C	C	C	-	A	-	-	-	-
M0040	Booth, Audio, Single Wall, 1 Person	1		A	A	A	A	-	F	-	-	-	F
M1620	Holder, Chart, Patient, Wall or Door Mounted	1		A	A	A	A	-	-	-	-	-	-
M1801	Computer, Microprocessing, w/Flat Panel Monitor	1		C	C	C	C	-	A	-	-	-	-

PEHS1 - DATA/TELEPHONE EQUIPMENT

JSN	Nomenclature	Qty	AR	Logistics		
				NV	AF	VA
A1010	Telecommunication Outlet	2	A	A	A	A
A1014	Telephone, Wall Mounted, 1 Line, with Speaker	1	A	A	A	A

Room Description: Hearing/Screening Booth, 1 Person (PEHS1)	NSF: 120	PEHS1	
Sheet Description: Equipment Schedule	Scale:	Sheet 5	of 5