

OFD02 - INTERIOR DESIGN

Floor Finish		Wall Finish		Ceiling Finish		Room Height	Room Noise		
Preferred	Alternate	Preferred	Alternate	Preferred	Alternate	ft - in	Min NC	Max NC	SC
VT		GPT		AT1		8' - 0"	30	35	40

OFD02 - DOOR SCHEDULE

Mark	Type	Count	Height	Width	Notes
			ft - in	ft - in	
A	Single-Flush	1	7' - 0"	3' - 0"	

**Room Description:** Office, Provider, Shared

**NSF:** 120

**OFD02**

**Plate Description:** Room/Equipment Isometric

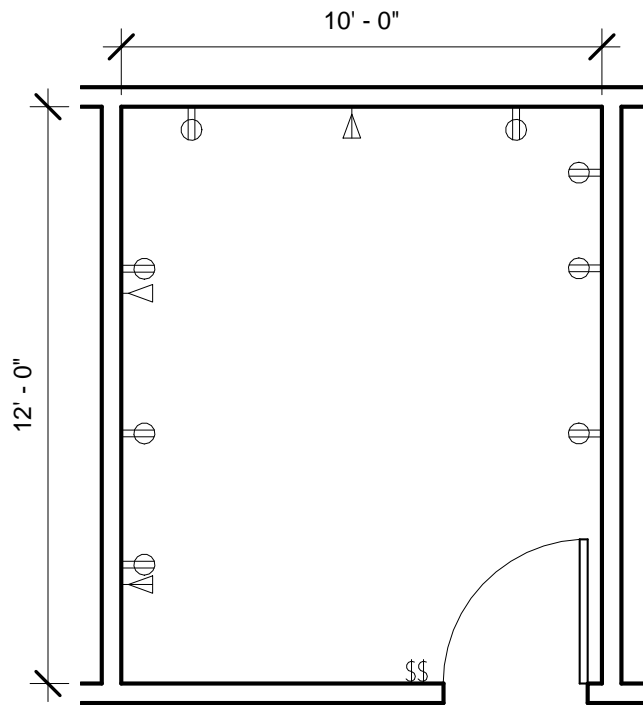
**Scale:**

Sheet

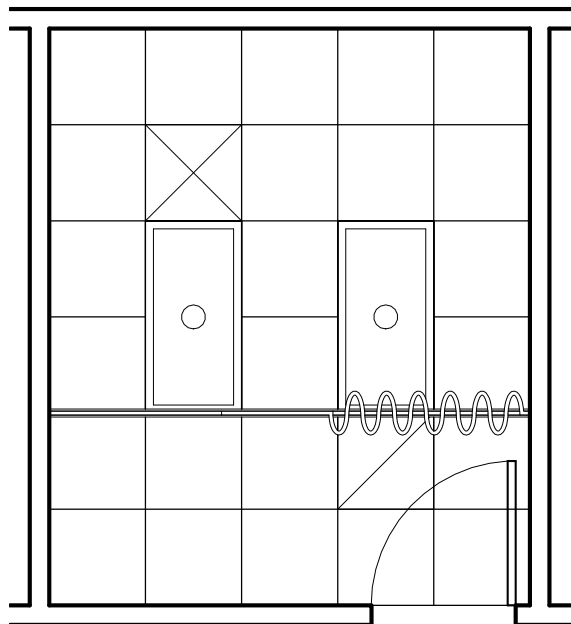
1

of

5

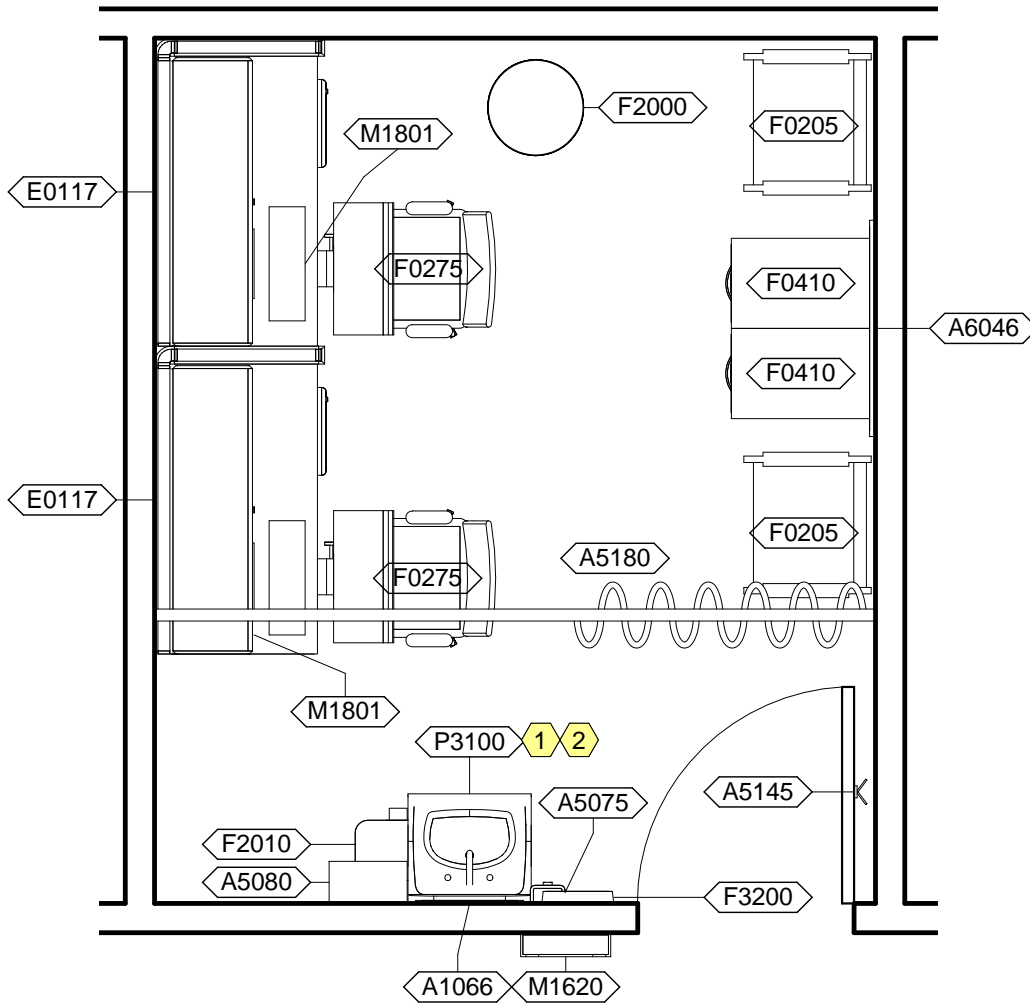


OFD02 - FLOOR PLAN



OFD02 - CEILING PLAN

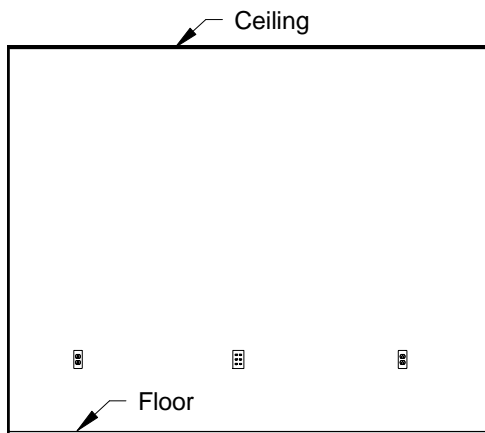
<b>Room Description:</b> Office, Provider, Shared	<b>NSF:</b> 120	<b>OFD02</b>	
<b>Plate Description:</b> Floor & Ceiling Plans	<b>Scale:</b> 1/4" = 1'-0"	Sheet <b>2</b>	of <b>5</b>



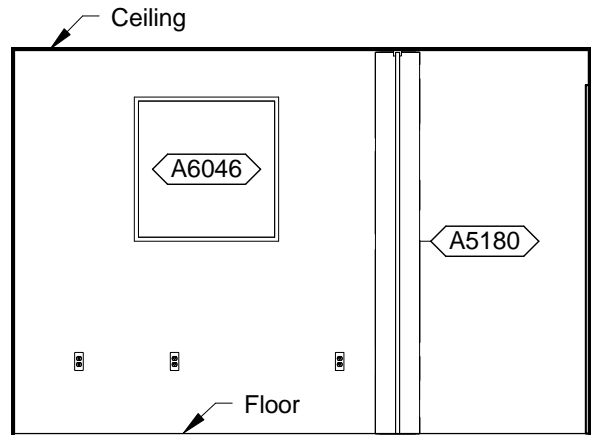
OFD02 - NOTES

- 1 JSN P3200, Lavatory Electronic, may be used instead of JSN P3100, Lavatory. For the JSN P3200, Lavatory Electronic, provide either battery power or hard wired connection.
- 2 JSN P8710, Utility Center, shall be included in Navy projects only.

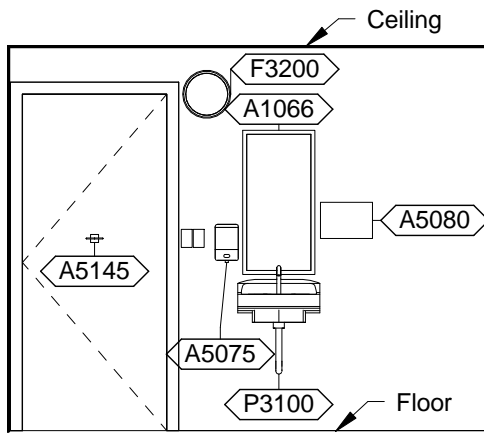
<b>Room Description:</b> Office, Provider, Shared	<b>NSF:</b> 120	<b>OFD02</b>	
<b>Plate Description:</b> Equipment Plan	<b>Scale:</b> 3/8" = 1'-0"	Sheet <b>3</b>	of <b>5</b>



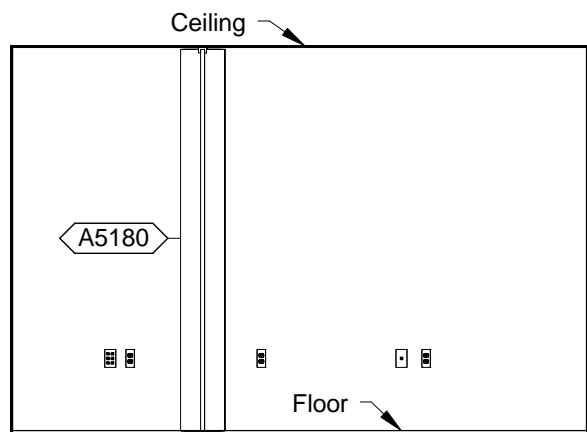
OFD02 - PLAN NORTH



OFD02 - PLAN EAST



OFD02 - PLAN SOUTH



OFD02 - PLAN WEST

<b>Room Description:</b> Office, Provider, Shared	<b>NSF:</b> 120	<b>OFD02</b>	
<b>Plate Description:</b> Interior Room Elevations	<b>Scale:</b> 1/4" = 1'-0"	Sheet <b>4</b>	of <b>5</b>

OFD02 - EQUIPMENT SCHEDULE

JSN	Nomenclature	Qty	Logistics				Utilities					
			AR	NA	AF	VA	1	2	3	4	5	6
A1066	Mirror, Float Glass, With SS Frame	1	A	A	A	A	-	-	-	-	-	-
A5075	Dispenser, Soap, Disposable	1	C	C	C	C	-	-	-	-	-	-
A5080	Dispenser, Paper Towel, SS, Surface Mounted	1	A	A	A	A	-	-	-	-	-	-
A5145	Hook, Garment, Double, SS, Surface Mounted	1	A	A	A	A	-	-	-	-	-	-
A5180	Track, Cubicle, Surface Mounted, With Curtain	1	A	A	A	A	-	-	-	-	-	-
A6046	Artwork, Decorative, With Frame	1	C	C	C	C	-	-	-	-	-	-
E0117	Workstation, Straight, Free Standing, 48" W	2	C	C	C	C	-	A	-	-	-	-
F0205	Chair, Side With Arms	2	C	C	C	C	-	-	-	-	-	-
F0275	Chair, Swivel, High Back	2	C	C	C	C	-	-	-	-	-	-
F0410	Cabinet, Filing, Half Height, 2 Drawer	2	C	C	C	C	-	-	-	-	-	-
F2000	Basket, Wastepaper, Round, Metal	1	C	C	C	C	-	-	-	-	-	-
F2010	Basket, Wastepaper, Step-On	1	C	C	C	C	-	-	-	-	-	-
F3200	Clock, Battery, 12" Diameter	1	C	C	C	C	-	-	-	-	-	-
M1620	Holder, Chart, Patient, Wall or Door Mounted	1	A	A	A	A	-	-	-	-	-	-
M1801	Computer, Microprocessing, w/Flat Panel Monitor	2	C	C	C	C	-	A	-	-	-	-
P3100	Lavatory, Vitreous China, Slab Type	1	A	A	A	A	D	-	-	-	-	-

OFD02 - DATA/TELEPHONE EQUIPMENT

JSN	Nomenclature	Qty	Logistics			
			AR	NA	AF	VA
A1010	Telecommunication Outlet	2	A	A	A	A
A1015	Telephone, Desk, Multiple Line	1	A	A	A	A

<b>Room Description:</b> Office, Provider, Shared	<b>NSF:</b> 120	<b>OFD02</b>	
<b>Plate Description:</b> Equipment Schedule	<b>Scale:</b>	Sheet <b>5</b>	of <b>5</b>