

**KEY NOTES**

1. M7400, TABLE MOUNTED SPOTLIGHT, MAY BE USED IN PLACE OF M7401, STAND MOUNTED MOBILE SPOTLIGHT.
2. INCREASE THIS DIMENSION AS NEEDED TO COMPLY WITH ADA IF THE DOOR HAS A CLOSER OR IF 610 [2'-0"] CLEARANCE IS NOT AVAILABLE AT THE STRIKE SIDE OF THE DOOR.
3. COORDINATE LOCATION OF M1620, PATIENT CHART HOLDER, AND ROOM SIGNAGE.
4. MOUNT A5145, HOOK, AT 1372 [4'-6"] AFF.
5. MOUNT A5145, HOOK, AT 1219 [4'-0"] AFF.
6. P3200, ELECTRONIC LAVATORY, MAY BE USED INSTEAD OF P3100, LAVATORY. FOR THE P3200 PROVIDE EITHER BATTERY POWER OR HARD WIRED CONNECTION.
7. PROVIDE THIS ADDITIONAL A1132, RAIL, FOR ARMY PROJECTS ONLY.

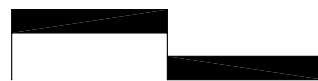
EXAM/PROVIDER OFFICE —  
 ARMY (EXRG1)/(OFDO1)

3.01.01c

PRIMARY CARE/FAMILY PRACTICE

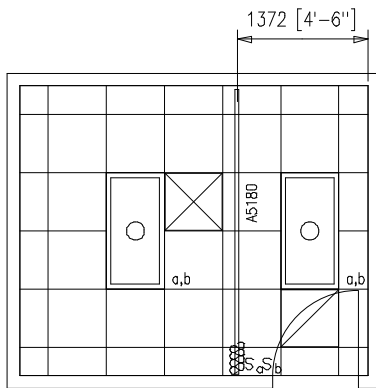
0 1000 2000

FLOOR/EQUIPMENT PLAN 11.15 NSM (120 NSF)



DATE: 05/11/2003

1:50 SCALE (MILLIMETERS)



PROVIDER OFFICE ARMY/AIR FORCE (OFDO1)

PRIMARY CARE/FAMILY PRACTICE

CEILING PLAN

11.15 NSM (120 NSF)

0 1000 2000



DATE: 07/12/2001

1:50 SCALE (MILLIMETERS)

Project Rooms (User Contents Only)

As of 08/12/2005

Page 1

Room Code: OFD01 Room Qty: 1 Room Area: 120.01 Room Description: OFFICE, MEDICAL PROVIDER (ARMY/AF)

JSN	NOMENCLATURE	Qty	UNIT	LOG	Utl	Utl	Utl	Utl	Utl	Utl
			ISSUE	CAT	1	2	3	4	5	6

Equipment per Room:

A1066	Mirror, Float Glass, With SS Frame, 36X18	1	EA	A	.	.	.	.	.	.
A5075	Dispenser, Soap, Disposable	1	EA	C	.	.	.	.	.	.
A5080	Dispenser, Paper Towel, SS, Surface Mounted	1	EA	A	.	.	.	.	.	.
A5145	Hook, Garment, Double, SS, Surface Mounted	2	EA	A	.	.	.	.	.	.
A5180	Track, Cubicle, Surface Mounted, With Curtain	1	FT	A	.	.	.	.	.	.
E0072	Workstation, Corner Work Surface, Wall Mtd, 72x9	1	EA	C	.	A	.	.	.	.
F0205	Chair, Side With Arms	2	EA	C	.	.	.	.	.	.
F0280	Chair, Swivel, Low Back	1	EA	C	.	.	.	.	.	.
F2000	Basket, Wastepaper, Round, Metal, 18 H x 16 Dia.	2	EA	C	.	.	.	.	.	.
F3200	Clock, Battery, 12" Diameter	1	EA	C	.	.	.	.	.	.
M1620	Holder, Chart, Patient, Wall or Door Mounted	1	EA	A	.	.	.	.	.	.
M1800	Computer, Microprocessing, w/CRT Monitor	1	EA	C	.	A	.	.	.	.
P3100	Lavatory, Vitreous China, Slab Type	1	EA	A	D	.	.	.	.	.
X3930	Illuminator, Film, Double, Wall Mounted, 20x29x6	1	EA	C	.	A	.	.	.	.
		=====								
***GRAND TOTAL***		17								