

NOTES

1. VERIFY LEAD SHIELDING REQUIREMENTS.

KEY NOTES

1. MOUNT A5145, HOOK, AT 1372 [4'-6"] AFF.
2. LENGTH OF E1500, WALL MOUNTED RAIL, TO BE DETERMINED BY MANUFACTURER/INSTALLER.
3. MOUNT A5145, HOOK, AT 1372 [4'-6"] AFF. PROVIDE 2-A5145'S FOR NAVY PROJECTS ONLY.
MOUNT 1-A5145 AT 1372 [4'-6"] AFF AND 1-A5145 AT 1524 [5'-0"] AFF.
4. LOCATE GAS OUTLETS NEAR THE HEAD OF THE X9830, NUCLEAR SCANNER.
5. COLIMATOR SERVER/STORER FOR X9830, NUCLEAR SCANNER.
6. PRINTER FOR X9830, NUCLEAR SCANNER.
7. OPERATOR CONSOLE AND TABLE FOR X9830, NUCLEAR SCANNER.

NUCLEAR MEDICINE, GENERAL SCANNING (NMGS1)

RADIOLOGY/NUCLEAR MEDICINE

FLOOR/EQUIPMENT PLAN

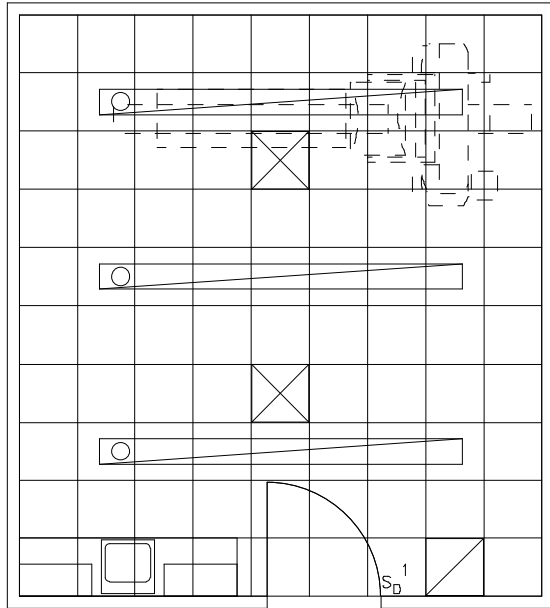
33.45 NSM (360 NSF)

DATE: 01/28/2002

0 1000 2000



1:50 SCALE (MILLIMETERS)



KEY NOTES

1. PROVIDE FULL RANGE DIMMING CAPABILITY OF ALL FIXTURES IN THIS ROOM.

NUCLEAR MEDICINE,
GENERAL SCANNING (NMGS1)

RADIOLOGY/NUCLEAR MEDICINE

CEILING PLAN

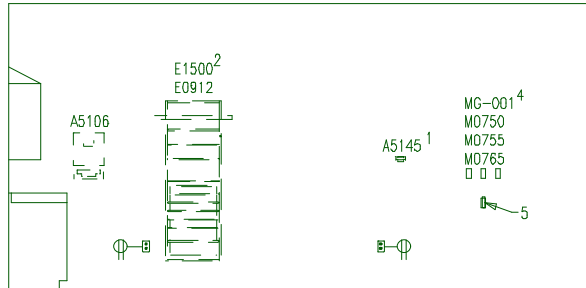
DATE: 01/28/2002

33.45 NSM (360 NSF)

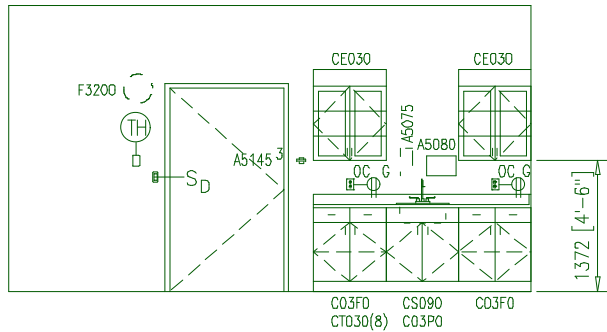
0 1000 2000



1:50 SCALE (MILLIMETERS)



WEST



SOUTH

KEY NOTES

1. MOUNT A5145, HOOK, AT 1372 [4'-6"] AFF.
2. LENGTH OF E1500, WALL MOUNTED RAIL, TO BE DETERMINED BY MANUFACTURER/INSTALLER.
3. MOUNT A5145, HOOK, AT 1372 [4'-6"] AFF. PROVIDE 2-A5145'S FOR NAVY PROJECTS ONLY.
MOUNT 1-A5145 AT 1372 [4'-6"] AFF AND 1-A5145 AT 1524 [5'-0"] AFF.
4. LOCATE GAS OUTLETS NEAR THE HEAD OF THE X9830, NUCLEAR SCANNER.
5. VACUUM SLIDE.

General Notes:

1. For typical equipment mounting heights see "TYPICAL EQUIPMENT MOUNTING HEIGHTS" drawing.
2. MIL-STD-1691 data can only be accessed from the Equipment Plan.

NUCLEAR MEDICINE,
GENERAL SCANNING (NMGS1)

RADIOLOGY/NUCLEAR MEDICINE

ELEVATIONS

DATE: 01/28/2002

33.45 NSM (360 NSF)

0 1000 2000



1:50 SCALE (MILLIMETERS)

Room Code: NMGS1 Room Qty: 1 Room Area: 359.96 Room Description: NUCLEAR MEDICINE, GENERAL SCANNING

JSN	NOMENCLATURE	Qty	UNIT	LOG	Utl	Utl	Utl	Utl	Utl	Utl
			ISSUE	CAT	1	2	3	4	5	6

Equipment per Room:

A5075	Dispenser, Soap, Disposable	1	EA	C
A5080	Dispenser, Paper Towel, SS, Surface Mounted	1	EA	A
A5106	Waste Disposal Unit, Sharps w/Glove Dispenser	1	EA	C
A5145	Hook, Garment, Double, SS, Surface Mounted	2	EA	A
A6210	Uninterruptible Power Supply, Single Phase	2	EA	C	.	A
C03F0	Cabinet, U/C/B, 1 Shelf, 2 Half DR, 2 DO, 36x30x	2	EA	A
C03P0	Cabinet, Sink, U/C/B, 2 Door, 36x30x22	1	EA	A
CE030	Cabinet, W/H, 2 SH, 2 GDO, Sloping Top, 38x30x13	2	EA	A
CS090	Sink, SS, Single Compartment, 7.5x19x16 ID	1	EA	A	D
CT030	Countertop, High Pressure Laminate	8	LF	A
E0210	Worksurface, w/Overhead Cab, Wall Mtd, 48" W	1	EA	C	.	A
E0912	Locker, Supply, Med Surg, Wall Mtd	1	EA	C
E0915	Locker, Supply, Medication, Wall Mtd, 23"W x 20"	1	EA	C
E1500	Rail, MOD, W/MNTD, HX144XD	1	EA	C
F0280	Chair, Swivel, Low Back	1	EA	C
F0340	Stool, Self Adjusting	1	EA	C
F0355	Footstool, Straight	1	EA	C
F2000	Basket, Wastepaper, Round, Metal, 18 H x 16 Dia.	1	EA	C
F3200	Clock, Battery, 12" Diameter	1	EA	C
M0750	Flowmeter, Air, Connect w/50 PSI Supply	1	EA	C	.	.	K	.	.	.
M0755	Flowmeter, Oxygen, Low Flow	1	EA	C	.	.	A	.	.	.
M0765	Regulator, Vacuum	1	EA	C	.	.	B	.	.	.
M1800	Computer, Microprocessing, w/CRT Monitor	1	EA	C	.	A
M2055	Shelving, Storage, Wire, CRS, w/Adjustable Shelv	1	EA	C
M3070	Hamper, Linen, Mobile, w/Lid	1	EA	C
M3072	Frame, Infectious Waste Bag w/Lid	1	EA	C
M4250	Pump, Syringe, Infusion	1	EA	C	.	A
M4255	Stand, IV, Adjustable	1	EA	C
X3155	Rack, Apron/Gloves, Mobile	1	EA	C
X9805	Stand, Injection, Nuclear Medicine	1	EA	C
X9830	Scanner, Nuclear, SPECT, Dual Head	1	EA	C	.	F

=====
42

GRAND TOTAL