



Room Labor & Delivery, Exam & Preparation (LDEP1)
Description: Toilet, Unisex (TLTU1)

NSF: 180
60

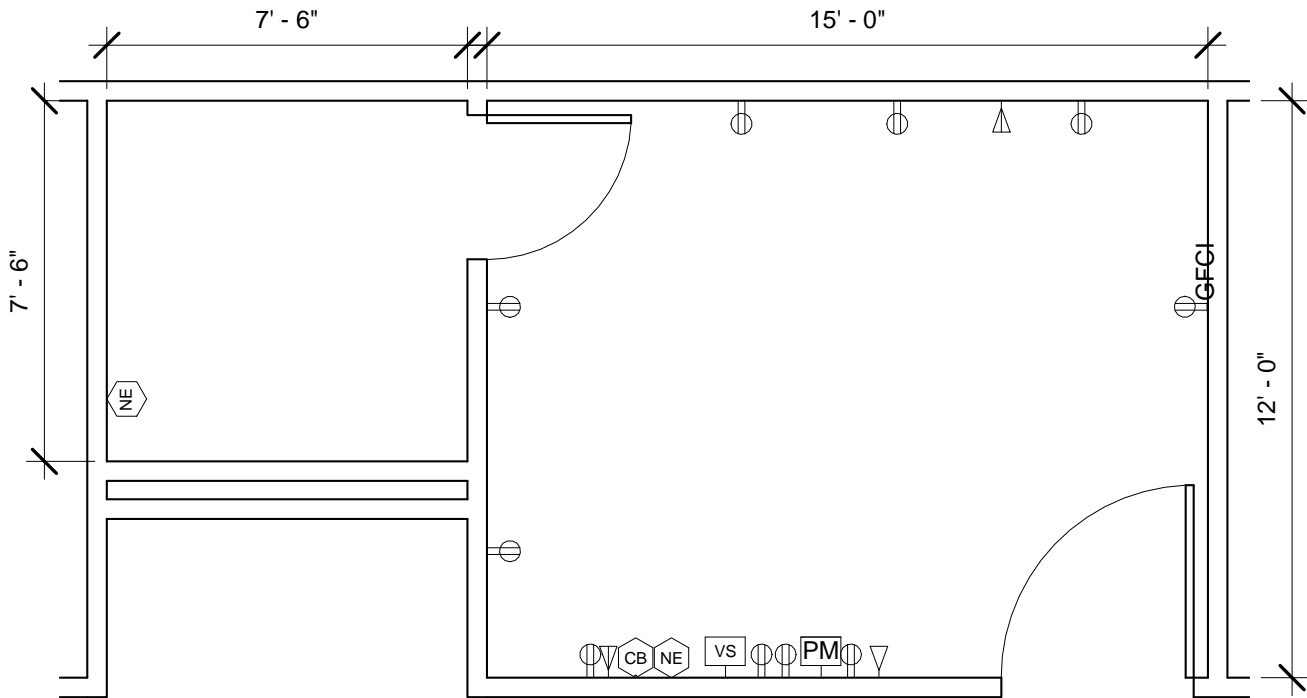
LDEP1/TLTU1

Sheet
Description: Room/Equipment Isometric

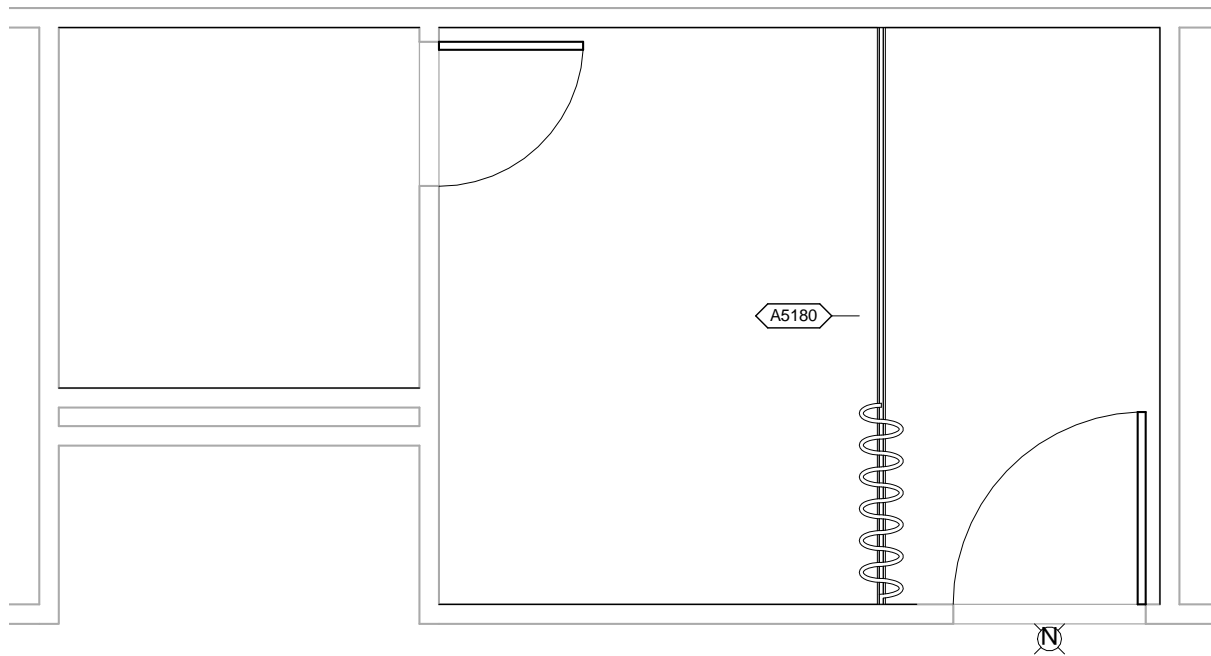
Scale:

Sheet
1

of
6

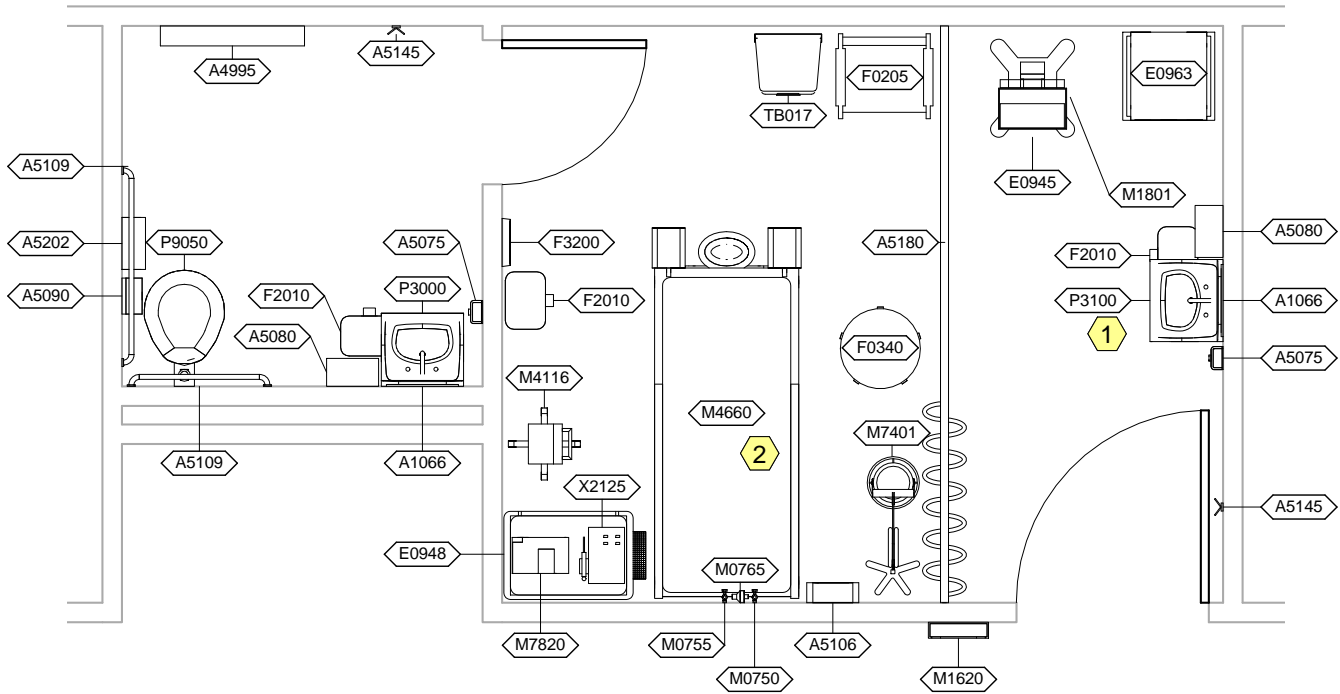


LDEP1/TLTU1 - FLOOR PLAN



LDEP1/TLTU1 - CEILING MOUNTED EQUIPMENT PLAN

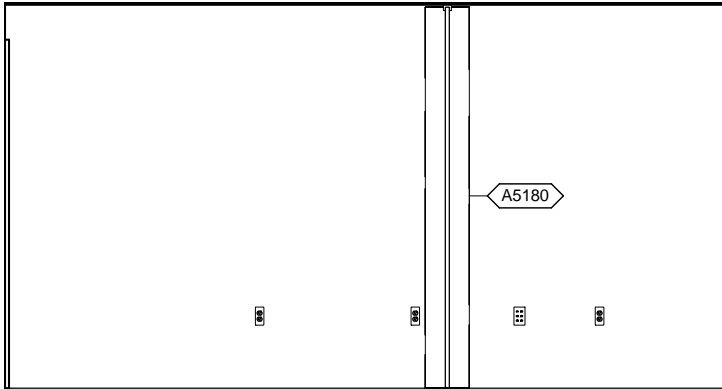
Room Labor & Delivery, Exam & Preparation (LDEP1) Description: Toilet, Unisex (TLTU1)	NSF: 180 60	LDEP1/TLTU1	
Sheet Description: Floor & Ceiling Mounted Equipment Plans	Scale: 1/4" = 1'-0"	Sheet 2	of 6



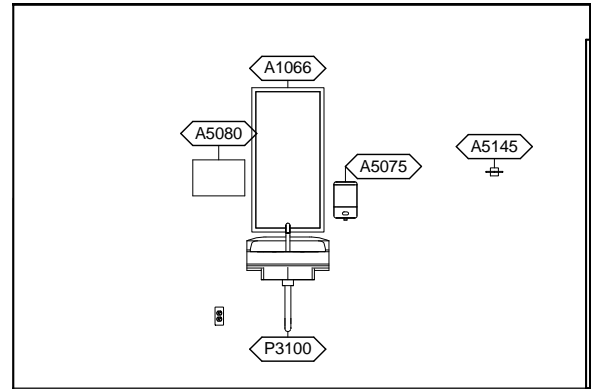
LDEP1/TLTU1 - NOTES

- 1 JSN P8710, Utility Center, shall be included in Navy projects only.
- 2 Provide JSN M4660, Stretcher, that has stirrups.

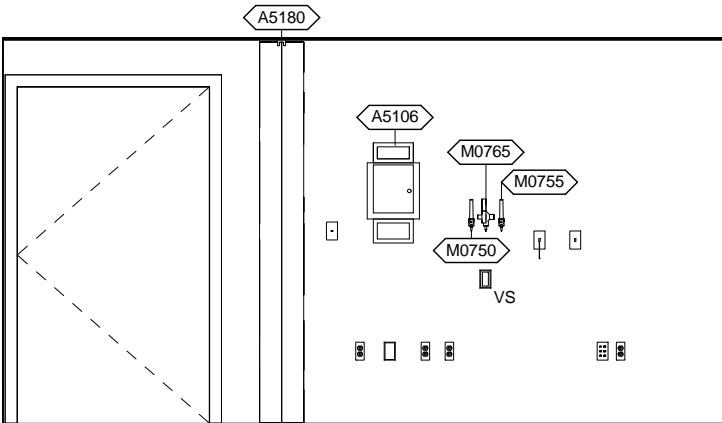
Room Labor & Delivery, Exam & Preparation (LDEP1) Description: Toilet, Unisex (TLTU1)	NSF: 180 60	LDEP1/TLTU1	
Sheet Description: Equipment Plan	Scale: 1/4" = 1'-0"	Sheet 3	of 6



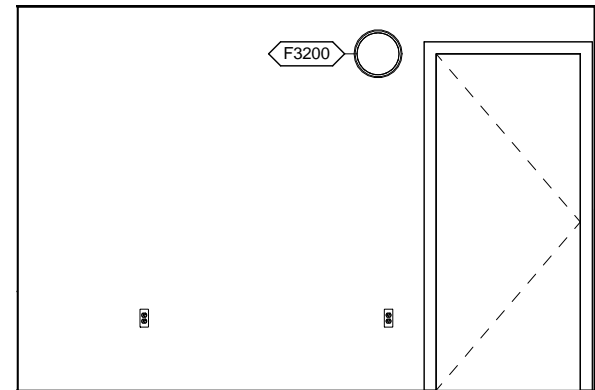
LDEP1 - NORTH ELEVATION



LDEP1 - EAST ELEVATION

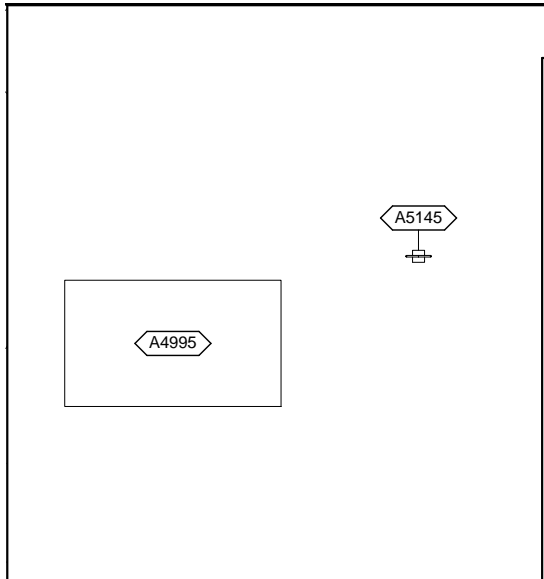


LDEP1 - SOUTH ELEVATION

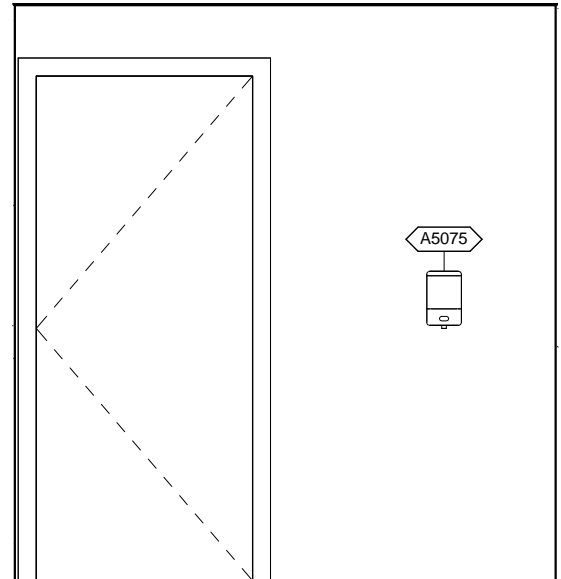


LDEP1 - WEST ELEVATION

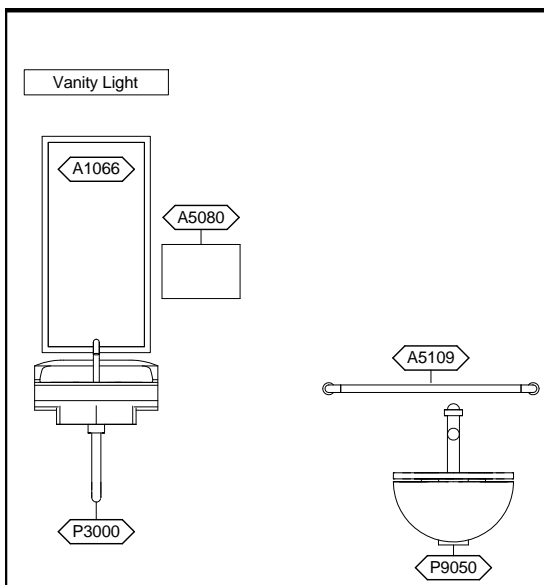
<p>Room Labor & Delivery, Exam & Preparation (LDEP1) Description: Toilet, Unisex (TLTU1)</p>	<p>NSF: 180 60</p>	<p>LDEP1/TLTU1</p>	
<p>Sheet Description: Interior Room Elevations</p>	<p>Scale: 1/4" = 1'-0"</p>	<p>Sheet 4</p>	<p>of 6</p>



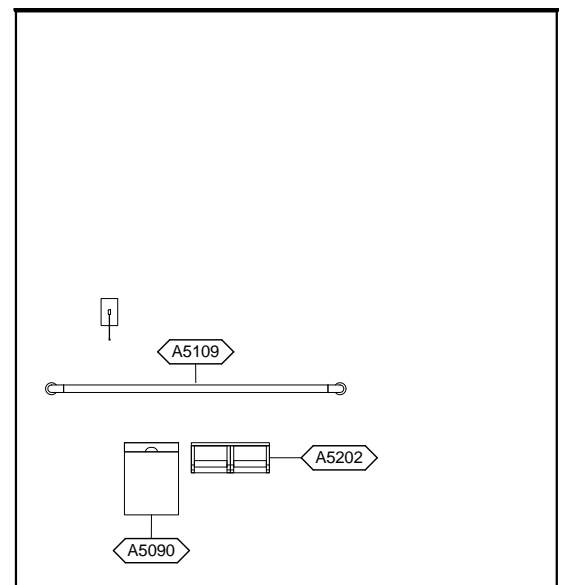
TLTU1 - NORTH ELEVATION



TLTU1 - EAST ELEVATION



TLTU1 - SOUTH ELEVATION



TLTU1 - WEST ELEVATION

Room Labor & Delivery, Exam & Preparation (LDEP1) Description: Toilet, Unisex (TLTU1)	NSF: 180 60	LDEP1/TLTU1	
Sheet Description: Interior Room Elevations	Scale: 3/8" = 1'-0"	Sheet 5	of 6

Medical Military Facilities Templates

Pub Date: 1-Apr-13

LDEP1 - EQUIPMENT SCHEDULE

JSN	Nomenclature	Qty	LF	AR	Logistics			Utilities					
					NA	AF	VA	1	2	3	4	5	6
A1066	Mirror, Float Glass, With SS Frame	1		A	A	A	A	-	-	-	-	-	-
A5075	Dispenser, Soap, Disposable	1		C	C	C	C	-	-	-	-	-	-
A5080	Dispenser, Paper Towel, SS, Surface Mounted	1		A	A	A	A	-	-	-	-	-	-
A5106	Waste Disposal Unit, Sharps w/Glove Dispenser	1		C	A	C	C	-	-	-	-	-	-
A5145	Hook, Garment, Double, SS, Surface Mounted	1		A	A	A	A	-	-	-	-	-	-
A5180	Track, Cubicle, Surface Mounted, With Curtain	1	12'-0"	A	A	A	A	-	-	-	-	-	-
E0945	Mobile, Workstation	1		-	-	-	-	-	-	-	-	-	-
E0948	Cart, General Storage, Mobile, 42"H x 32"W x 22"D	1		C	C	C	C	-	-	-	-	-	-
E0963	Cart, General Storage, Mobile	1		C	C	C	C	-	-	-	-	-	-
F0205	Chair, Side With Arms	1		C	C	C	C	-	-	-	-	-	-
F0340	Stool, Self Adjusting	1		C	C	C	C	-	-	-	-	-	-
F2010	Basket, Wastepaper, Step-On	2		C	C	C	C	-	-	-	-	-	-
F3200	Clock, Battery, 12" Diameter	1		C	C	C	C	-	-	-	-	-	-
M0750	Flowmeter, Air, Connect w/50 PSI Supply	1		C	C	C	C	-	-	K	-	-	-
M0755	Flowmeter, Oxygen, Low Flow	1		C	C	C	C	-	-	A	-	-	-
M0765	Regulator, Vacuum	1		C	C	C	C	-	-	B	-	-	-
M1620	Holder, Chart, Patient, Wall or Door Mounted	1		A	A	A	A	-	-	-	-	-	-
M1801	Computer, Microprocessing, w/Flat Panel Monitor	1		C	C	C	C	-	A	-	-	-	-
M4116	Monitor, Vital Signs	1		C	C	C	C	-	A	-	-	-	-
M4660	Stretcher, Recovery, Labor	1		C	C	C	C	-	-	-	-	-	-
M7401	Light, Exam, Mobile, Spotlight, Mobile Stand	1		C	C	C	-	-	A	-	-	-	-
M7820	Monitor, Fetal, Bedside/Stand Alone	1		C	C	C	C	-	A	-	-	-	D
P3100	Lavatory, Vitreous China, Slab Type	1		A	A	A	A	D	-	-	-	-	-
TB017	Basket, Infectious Wast, Step-On	1		C	C	C	C	-	-	-	-	-	-
X2125	Edge Ultrasound Machine	1		-	-	-	-	-	-	-	-	-	-

TLTU1 - EQUIPMENT SCHEDULE

JSN	Nomenclature	Qty	LF	AR	Logistics			Utilities					
					NA	AF	VA	1	2	3	4	5	6
A1066	Mirror, Float Glass, With SS Frame	1		A	A	A	A	-	-	-	-	-	-
A4995	Table, Diaper Changing, Wall Mounted	1		A	A	A	A	-	-	-	-	-	-
A5075	Dispenser, Soap, Disposable	1		C	C	C	C	-	-	-	-	-	-
A5080	Dispenser, Paper Towel, SS, Surface Mounted	1		A	A	A	A	-	-	-	-	-	-
A5090	Disposal, Sanitary Napkin, SS, Surface Mounted	1		A	A	A	A	-	-	-	-	-	-
A5109	Grab Bar, 1-1/4" Dia., SS, 2 Wall, W/C Accessible	2		A	A	A	A	-	-	-	-	-	-
A5145	Hook, Garment, Double, SS, Surface Mounted	1		A	A	A	A	-	-	-	-	-	-
A5202	Dispenser, Toilet Paper w/Utility Shelf, SS, 2-Roll	1		A	A	A	A	-	-	-	-	-	-
F2010	Basket, Wastepaper, Step-On	1		C	C	C	C	-	-	-	-	-	-
P3000	Lavatory, Vitreous China, Straight Back	1		A	A	A	A	D	-	-	-	-	-
P9050	Toilet, Wall Hung, Siphon Jet	1		A	A	A	A	B	-	-	-	-	-

LDEP1 - DATA/TELEPHONE EQUIPMENT

JSN	Nomenclature	Qty	AR	Logistics		
				NV	AF	VA
A1010	Telecommunication Outlet	2	A	A	A	A
A1012	Telephone, Wall Mounted, 1 Line	1	A	A	A	A

Room Labor & Delivery, Exam & Preparation (LDEP1) Description: Toilet, Unisex (TLTU1)	NSF: 180 60	LDEP1/TLTU1	
Sheet Description: Equipment Schedule	Scale:	Sheet 6	of 6