



LDAT2 - INTERIOR DESIGN

Floor Finish		Wall Finish		Ceiling Finish		Room Height	Room Noise		
Preferred	Alternate	Preferred	Alternate	Preferred	Alternate	ft - in	Min NC	Max NC	SC
VT		GPT		AT1	-	9' - 0"	35	40	50

TLTU1 - INTERIOR DESIGN

Floor Finish		Wall Finish		Ceiling Finish		Room Height	Room Noise		
Preferred	Alternate	Preferred	Alternate	Preferred	Alternate	ft - in	Min NC	Max NC	SC
CT	VT	GPT	CT	GPT	AT1	8' - 0"	35	40	40

LDAT2/TLTU1 - DOOR SCHEDULE

Mark	Type	Count	Height	Width	Notes
			ft - in	ft - in	
A	Single-Flush	1	7' - 0"	3' - 0"	
C	Single-Flush	1	7' - 0"	4' - 0"	

Room Description: Antepartum Testing, Multiple Station (TLTU1)

NSF: 540
56

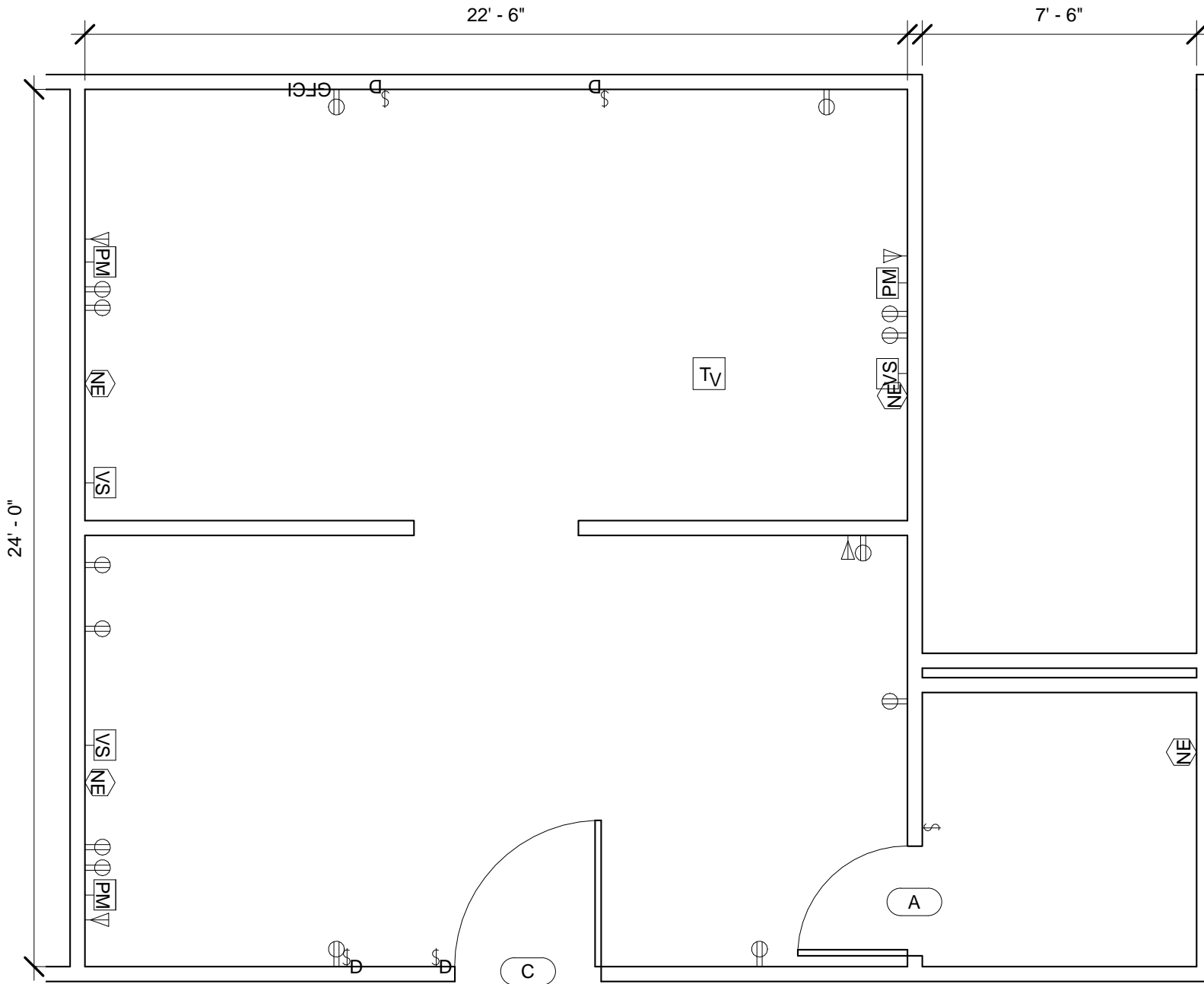
LDAT2/TLTU1

Plate Description: Room/Equipment Isometric

Scale:

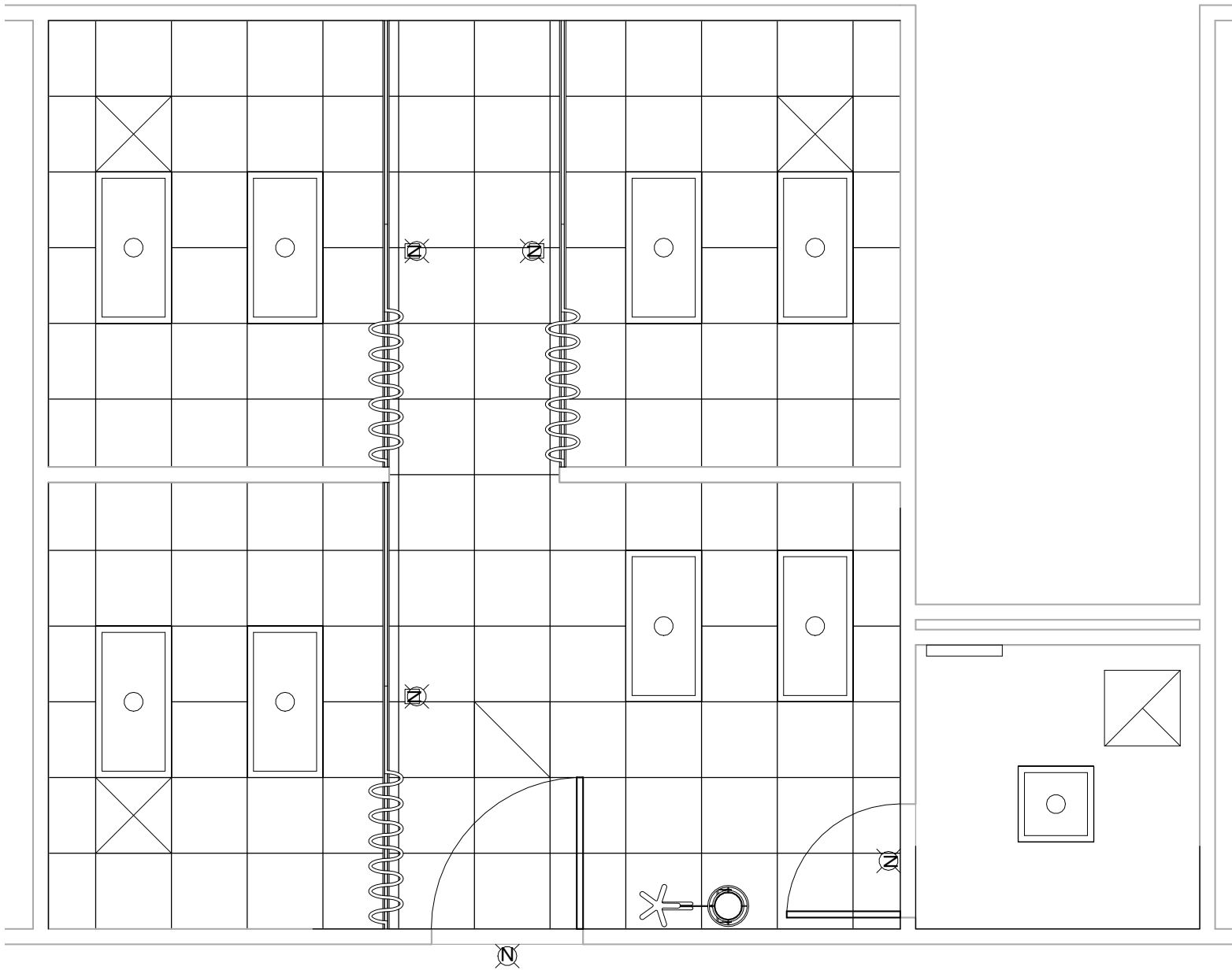
Sheet
1

of
9



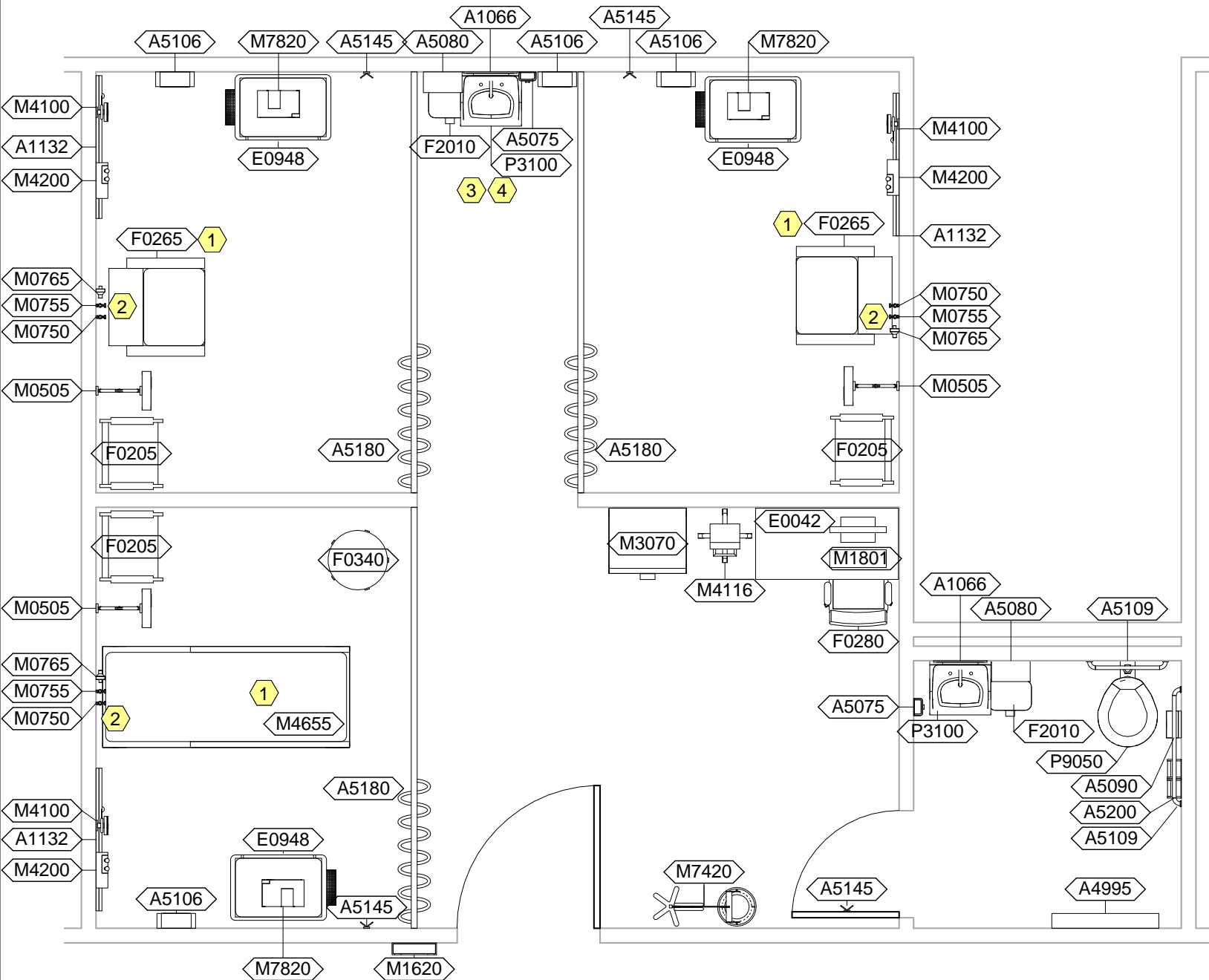
LDAT2/TLTU1 - FLOOR PLAN

Room Description: Antepartum Testing, Multiple Station (TLTU1)	NSF: 540 56	LDAT2/TLTU1	
Plate Description: Floor Plan	Scale: 1/4" = 1'-0"	Sheet 2	of 9



LDAT2/TLTU1 - CEILING PLAN

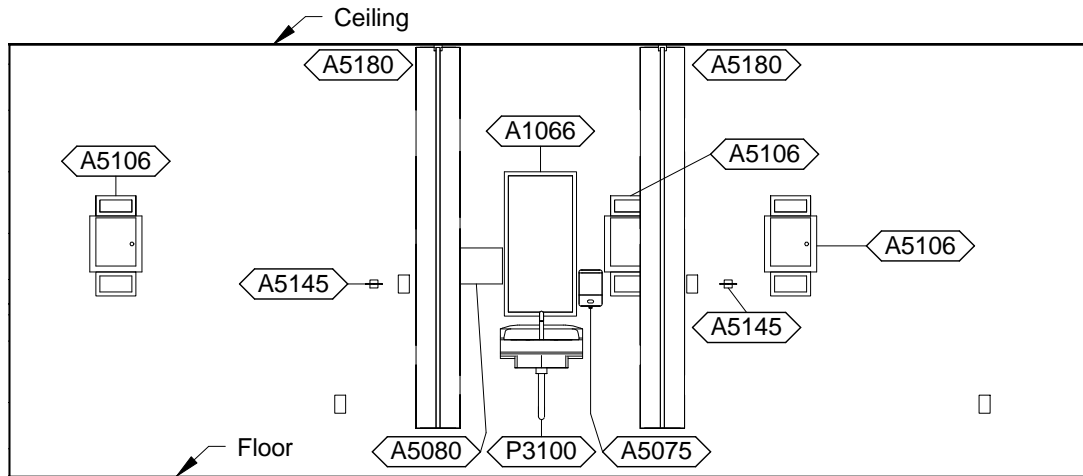
Room Description: Antepartum Testing, Multiple Station (TLTU1)	NSF: 540 56	LDAT2/TLTU1	
Plate Description: Reflected Ceiling Plan	Scale: 1/4" = 1'-0"	Sheet 3	of 9



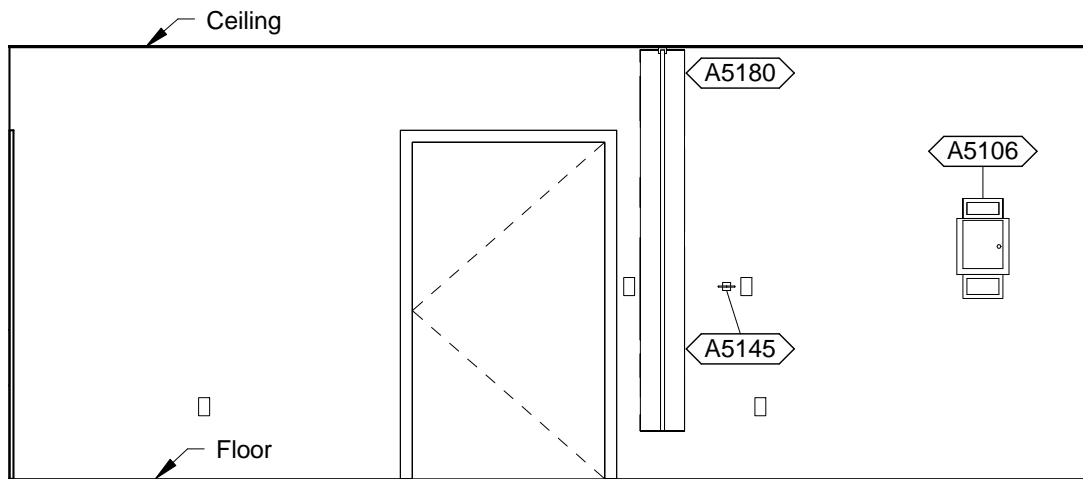
LDAT2/TLTU1 - NOTES

- 1 Coordinate use of JSN M4655, Stretcher, versus JSN F0265, Chair, with project room contents report.
- 2 Provide bottled gas if building piped MCA and OX are not available.
- 3 JSN P3200, Lavatory Electronic, may be used instead of JSN P3100, Lavatory. For the JSN P3200, Lavatory Electronic, provide either battery power or hard wired connection.
- 4 JSN P8710, Utility Center, shall be included in Navy projects only.

Room Description: Antepartum Testing, Multiple Station (TLTU1)	NSF: 540 56	LDAT2/TLTU1	
Plate Description: Equipment Plan	Scale: 1/4" = 1'-0"	Sheet 4	of 9

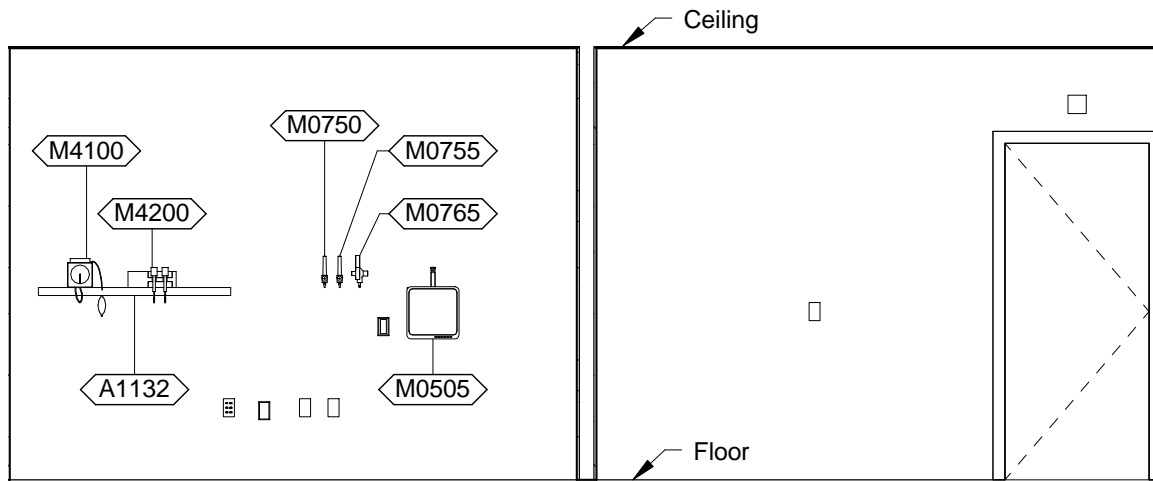


LDAT2 - PLAN NORTH

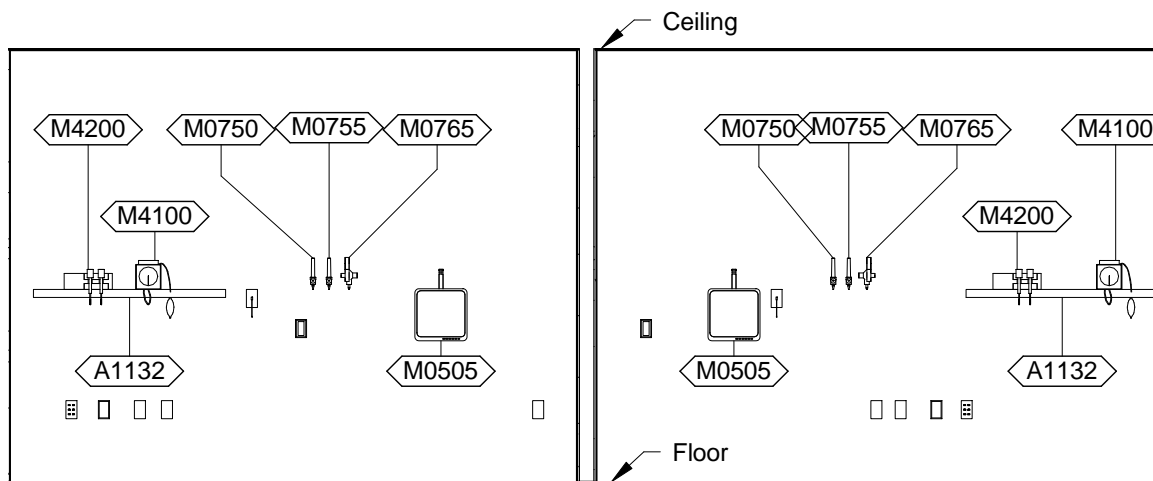


LDAT2 - PLAN SOUTH

Room Description: Antepartum Testing, Multiple Station (TLTU1)	NSF: 540 56	LDAT2/TLTU1	
Plate Description: Interior Room Elevations	Scale: 1/4" = 1'-0"	Sheet 5	of 9

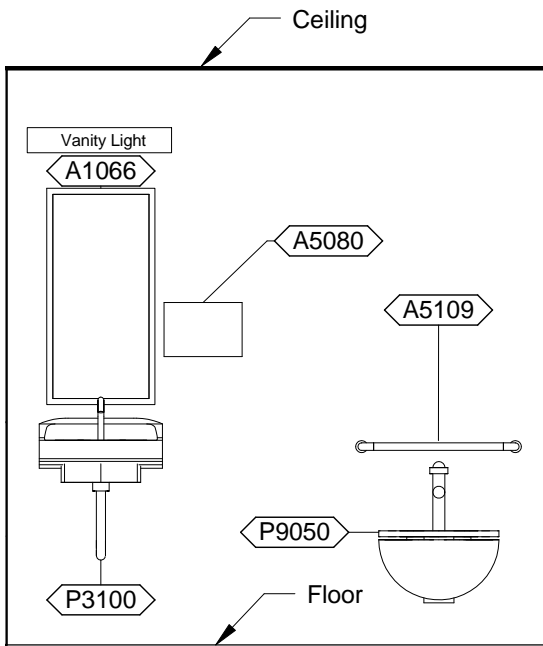


LDAT2 - PLAN EAST

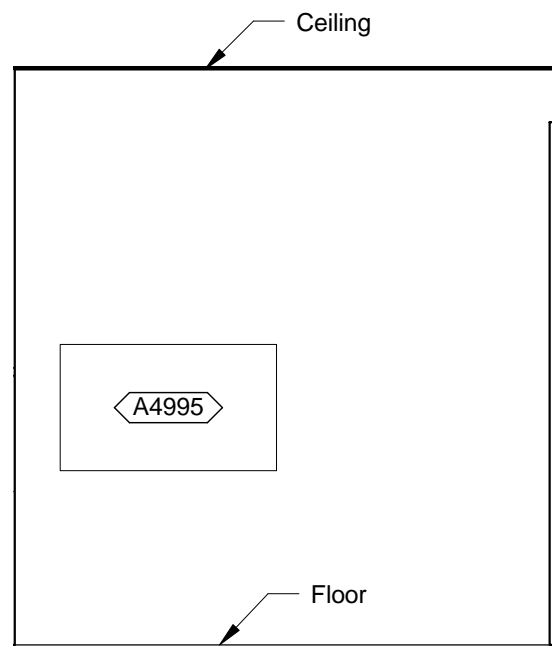


LDAT2 - PLAN WEST

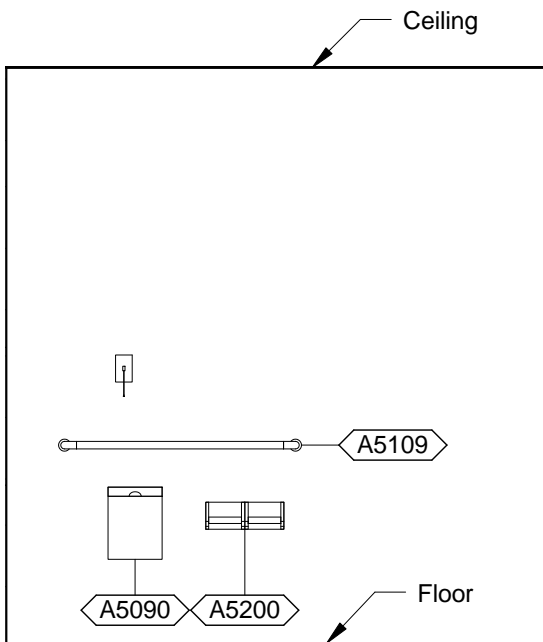
Room Description: Antepartum Testing, Multiple Station (TLTU1)	NSF: 540 56	LDAT2/TLTU1	
Plate Description: Interior Room Elevations	Scale: 1/4" = 1'-0"	Sheet 6	of 9



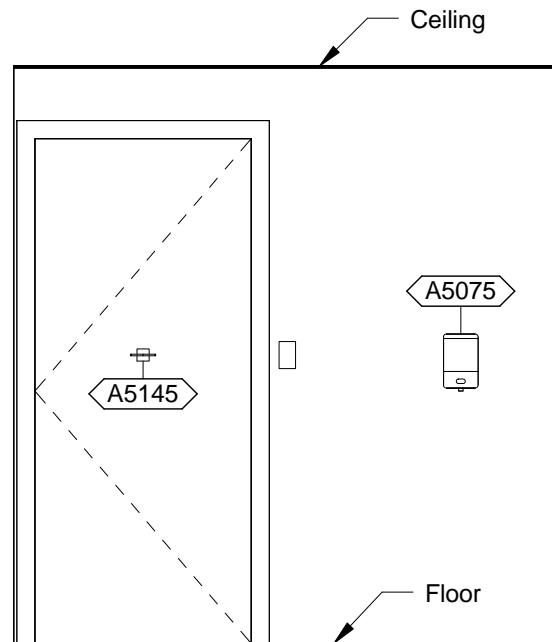
TLTU1 - PLAN NORTH



TLTU1 - PLAN SOUTH



TLTU1 - PLAN EAST



TLTU1 - PLAN WEST

Room Description: Antepartum Testing, Multiple Station (TLTU1)	NSF: 540 56	LDAT2/TLTU1	
Plate Description: Interior Room Elevations	Scale: 3/8" = 1'-0"	Sheet 7	of 9

LDAT2 - EQUIPMENT SCHEDULE

JSN	Nomenclature	Qty	Logistics				Utilities					
			AR	NA	AF	VA	1	2	3	4	5	6
A1066	Mirror, Float Glass, With SS Frame	1	A	A	A	A	-	-	-	-	-	-
A1132	Rail, Accessory Mounting, 48"	3	A	A	A	A	-	-	-	-	-	-
A5075	Dispenser, Soap, Disposable	1	C	C	C	C	-	-	-	-	-	-
A5080	Dispenser, Paper Towel, SS, Surface Mounted	1	A	A	A	A	-	-	-	-	-	-
A5106	Waste Disposal Unit, Sharps w/Glove Dispenser	4	C	A	C	C	-	-	-	-	-	-
A5145	Hook, Garment, Double, SS, Surface Mounted	3	A	A	A	A	-	-	-	-	-	-
A5180	Track, Cubicle, Surface Mounted, With Curtain	3	A	A	A	A	-	-	-	-	-	-
E0042	Workcenter, Computer, Free Standing, 48" W	1	C	C	C	C	-	-	-	-	-	-
E0948	Cart, General Storage, Mobile, 42"H x 32"W x 22"D	3	C	C	C	C	-	-	-	-	-	-
F0205	Chair, Side With Arms	3	C	C	C	C	-	-	-	-	-	-
F0265	Chair, Recliner	2	C	C	C	C	-	-	-	-	-	-
F0280	Chair, Swivel, Low Back	1	C	C	C	C	-	-	-	-	-	-
F0340	Stool, Self Adjusting	1	C	C	C	C	-	-	-	-	-	-
F2010	Basket, Wastepaper, Step-On	1	C	C	C	C	-	-	-	-	-	-
M0505	Television, Color, Bedside	3	C	C	C	C	-	F	-	-	-	-
M0750	Flowmeter, Air, Connect w/50 PSI Supply	3	C	C	C	C	-	-	K	-	-	-
M0755	Flowmeter, Oxygen, Low Flow	3	C	C	C	C	-	-	A	-	-	-
M0765	Regulator, Vacuum	3	C	C	C	C	-	-	B	-	-	-
M1620	Holder, Chart, Patient, Wall or Door Mounted	1	A	A	A	A	-	-	-	-	-	-
M1801	Computer, Microprocessing, w/Flat Panel Monitor	1	C	C	C	C	-	A	-	-	-	-
M3070	Hamper, Linen, Mobile, w/Lid	1	C	C	C	C	-	-	-	-	-	-
M4100	Sphygmomanometer, Aneroid, Wall Mounted	3	C	C	C	C	-	-	-	-	-	-
M4116	Monitor, Vital Signs	1	C	C	C	C	-	A	-	-	-	-
M4200	Otoscope/Ophthalmoscope, Wall Mounted	3	C	C	-	C	-	A	-	-	-	-
M4655	Stretcher, Mobile, CRS, 9 Position	1	C	C	C	C	-	-	-	-	-	-
M7420	Light, Exam, Mobile	1	C	C	C	C	-	A	-	-	-	-
M7820	Monitor, Fetal, Bedside/Stand Alone	3	C	C	C	C	-	A	-	-	-	D
P3100	Lavatory, Vitreous China, Slab Type	1	A	A	A	A	D	-	-	-	-	-

Room Description: Antepartum Testing, Multiple Station (TLTU1)	NSF: 540 56	LDAT2/TLTU1	
Plate Description: Equipment Schedule	Scale:	Sheet 8	of 9

TLTU1 - EQUIPMENT SCHEDULE

JSN	Nomenclature	Qty	AR	Logistics			Utilities					
				NA	AF	VA	1	2	3	4	5	6
A1066	Mirror, Float Glass, With SS Frame	1	A	A	A	A	-	-	-	-	-	-
A4995	Table, Diaper Changing, Wall Mounted	1	A	A	A	A	-	-	-	-	-	-
A5075	Dispenser, Soap, Disposable	1	C	C	C	C	-	-	-	-	-	-
A5080	Dispenser, Paper Towel, SS, Surface Mounted	1	A	A	A	A	-	-	-	-	-	-
A5090	Disposal, Sanitary Napkin, SS, Surface Mounted	1	A	A	A	A	-	-	-	-	-	-
A5109	Grab Bar, 1-1/4" Dia., SS, 2 Wall, W/C Accessible	2	A	A	A	A	-	-	-	-	-	-
A5145	Hook, Garment, Double, SS, Surface Mounted	1	A	A	A	A	-	-	-	-	-	-
A5200	Dispenser, Toilet Tissue, SS, 2-Roll, Surface Mntd	1	A	A	A	A	-	-	-	-	-	-
F2010	Basket, Wastepaper, Step-On	1	C	C	C	C	-	-	-	-	-	-
P3100	Lavatory, Vitreous China, Slab Type	1	A	A	A	A	D	-	-	-	-	-
P9050	Toilet, Wall Hung, Siphon Jet	1	A	A	A	A	B	-	-	-	-	-

LDAT2 - DATA/TELEPHONE EQUIPMENT

JSN	Nomenclature	Qty	AR	Logistics		
				NA	AF	VA
A1010	Telecommunication Outlet	4	A	A	A	A

Room Description: Antepartum Testing, Multiple Station (TLTU1)	NSF: 540 56	LDAT2/TLTU1	
Plate Description: Equipment Schedule	Scale:	Sheet 9	of 9