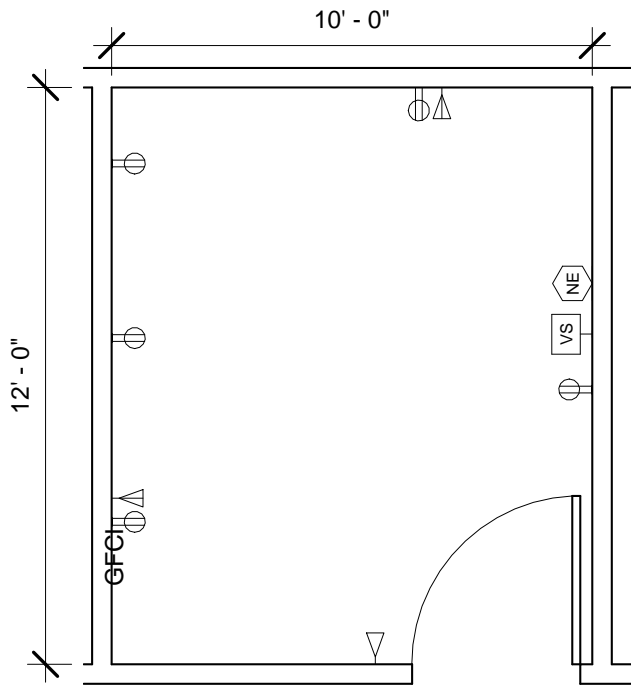
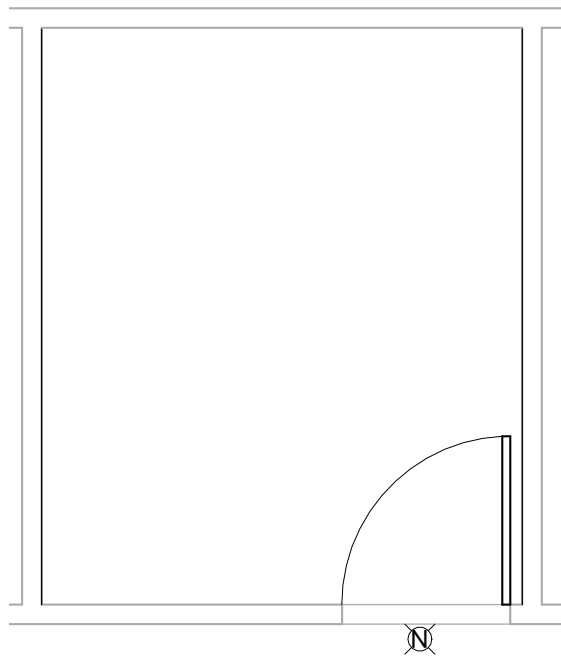


Room Description: Laboratory, Venipuncture (LBVP1)	NSF: 120	LBVP1	
Sheet Description: Room/Equipment Isometric	Scale:	Sheet 1	of 5

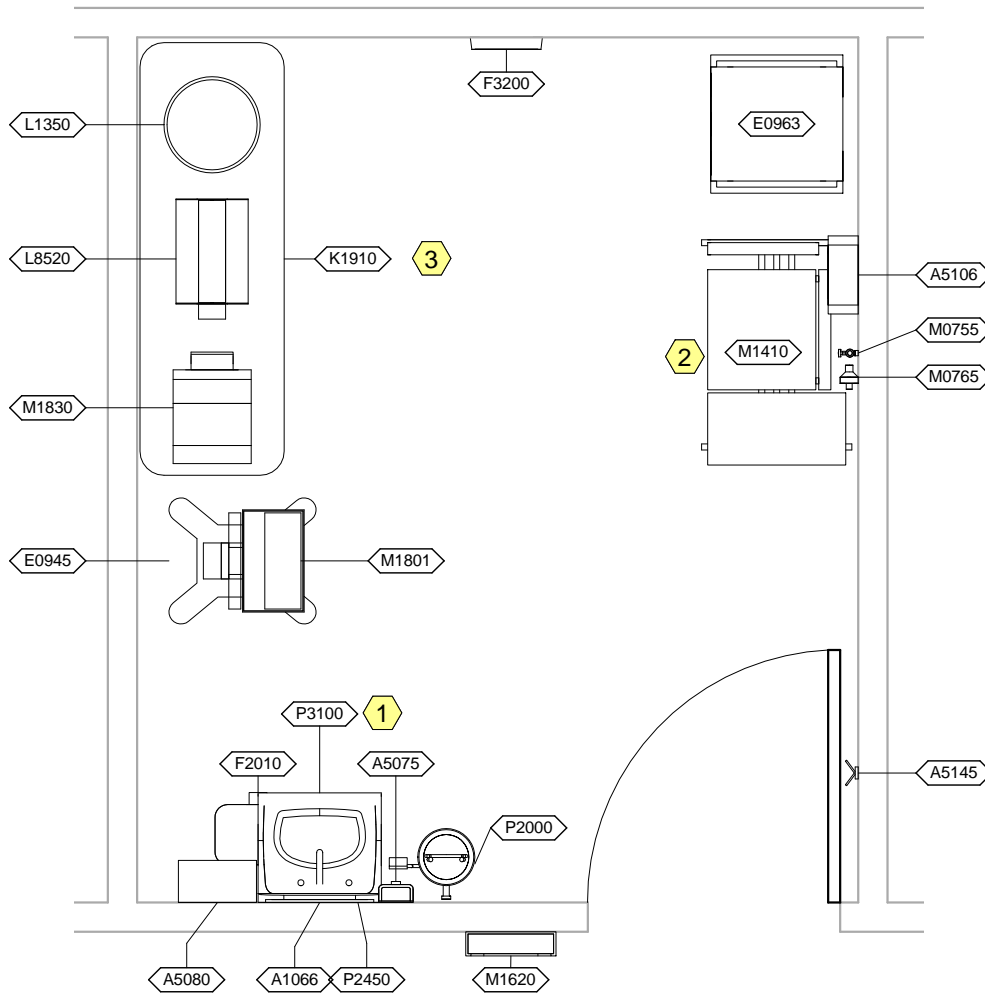


LBVP1 - FLOOR PLAN



LBVP1 - CEILING MOUNTED EQUIPMENT PLAN

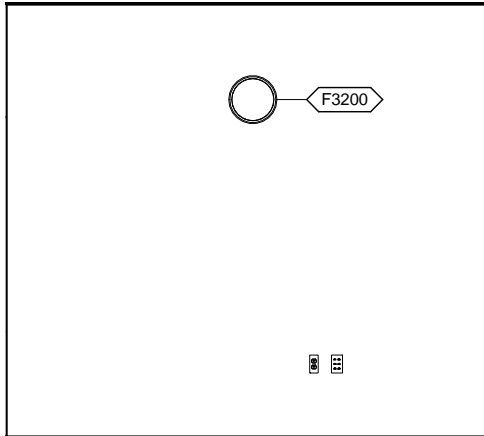
Room Description: Laboratory, Venipuncture (LBVP1)	NSF: 120	LBVP1	
Sheet Description: Floor & Ceiling Mounted Equipment Plans	Scale: 1/4" = 1'-0"	Sheet 2	of 5



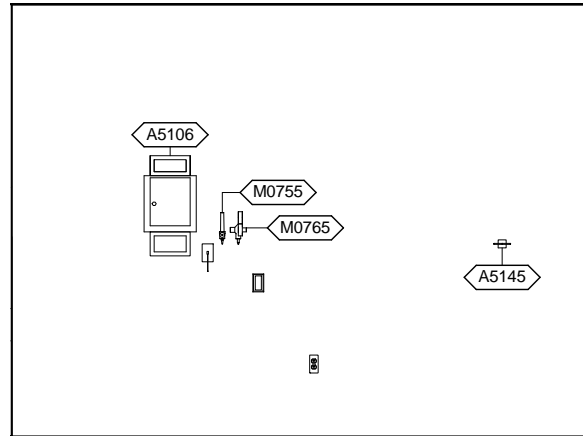
LBVP1 - NOTES

- 1 JSN P8710, Utility Center, shall be included in Navy projects only.
- 2 JSN M1400, Chair, Blood Donor, Recliner, or JSN M1411, Phlebotomy Arm, Wheelchair Accessible, can be used in place of JSN M1410, Chair, Laboratory, Blood Drawing with Storage.
- 3 JSN K1910, Table, shall be 72" wide and 24" deep with casters.

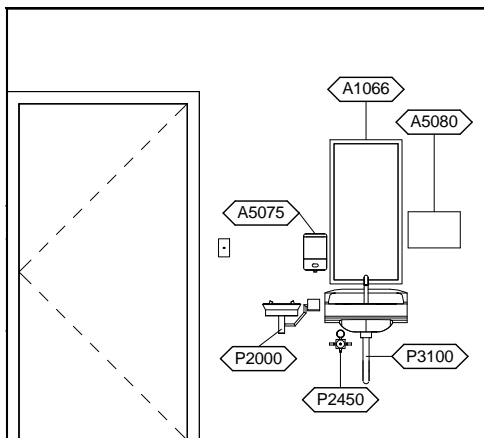
Room Description: Laboratory, Venipuncture (LBVP1)	NSF: 120	LBVP1	
Sheet Description: Equipment Plan	Scale: 3/8" = 1'-0"	Sheet 3	of 5



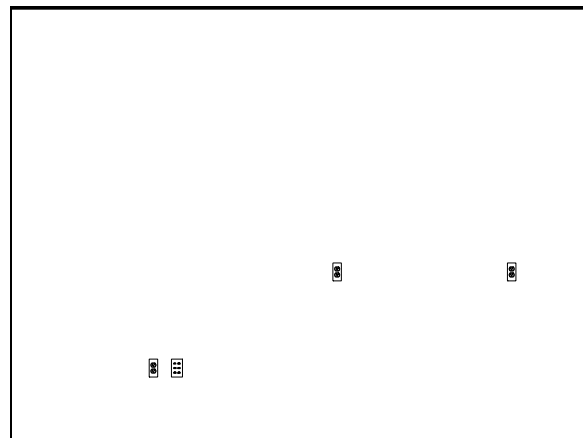
LBVP1 - NORTH ELEVATION



LBVP1 - EAST ELEVATION



LBVP1 - SOUTH ELEVATION



LBVP1 - WEST ELEVATION

Room Description: Laboratory, Venipuncture (LBVP1)	NSF: 120	LBVP1	
Sheet Description: Interior Room Elevations	Scale: 1/4" = 1'-0"	Sheet 4	of 5

LBVP1 - EQUIPMENT SCHEDULE

JSN	Nomenclature	Qty	LF	AR	Logistics			Utilities					
					NA	AF	VA	1	2	3	4	5	6
A1066	Mirror, Float Glass, With SS Frame	1		A	A	A	A	-	-	-	-	-	-
A5075	Dispenser, Soap, Disposable	1		C	C	C	C	-	-	-	-	-	-
A5080	Dispenser, Paper Towel, SS, Surface Mounted	1		A	A	A	A	-	-	-	-	-	-
A5106	Waste Disposal Unit, Sharps w/Glove Dispenser	1		C	A	C	C	-	-	-	-	-	-
A5145	Hook, Garment, Double, SS, Surface Mounted	1		A	A	A	A	-	-	-	-	-	-
E0945	Mobile, Workstation	1		-	-	-	-	-	-	-	-	-	-
E0963	Cart, General Storage, Mobile	1		C	C	C	C	-	-	-	-	-	-
F2010	Basket, Wastepaper, Step-On	1		C	C	C	C	-	-	-	-	-	-
F3200	Clock, Battery, 12" Diameter	1		C	C	C	C	-	-	-	-	-	-
K1910	Table, Work, Stainless Steel	1		A	A	A	A	-	-	-	-	-	-
L1350	Centrifuge, Table, Small, 3200 RPM, 6 Place	1		C	C	C	C	-	A	-	-	-	-
L8520	Shaker, Rotating, 12 Standard Tubes	1		C	C	C	C	-	A	-	-	-	-
M0755	Flowmeter, Oxygen, Low Flow	1		C	C	C	C	-	-	A	-	-	-
M0765	Regulator, Vacuum	1		C	C	C	C	-	-	B	-	-	-
M1410	Chair, Laboratory, Blood Drawing, w/Storage	1		C	C	C	C	-	-	-	-	-	-
M1620	Holder, Chart, Patient, Wall or Door Mounted	1		A	A	A	A	-	-	-	-	-	-
M1801	Computer, Microprocessing, w/Flat Panel Monitor	1		C	C	C	C	-	A	-	-	-	-
M1830	Printer, Label, Pharmacy	1		C	C	C	C	-	A	-	-	-	-
P2000	Eyewash, Wall Mounted, Hands-Free	1		A	A	A	A	B	-	-	-	-	-
P2450	Valve, Mixing, Thermostatic	1		A	A	A	A	A	-	-	-	-	-
P3100	Lavatory, Vitreous China, Slab Type	1		A	A	A	A	D	-	-	-	-	-

LBVP1 - DATA/TELEPHONE EQUIPMENT

JSN	Nomenclature	Qty	AR	Logistics		
				NA	AF	VA
A1010	Telecommunication Outlet	2	A	A	A	A
A1014	Telephone, Wall Mounted, 1 Line, with Speaker	1	A	A	A	A

Room Description: Laboratory, Venipuncture (LBVP1)	NSF: 120	LBVP1	
Sheet Description: Equipment Schedule	Scale:	Sheet 5	of 5