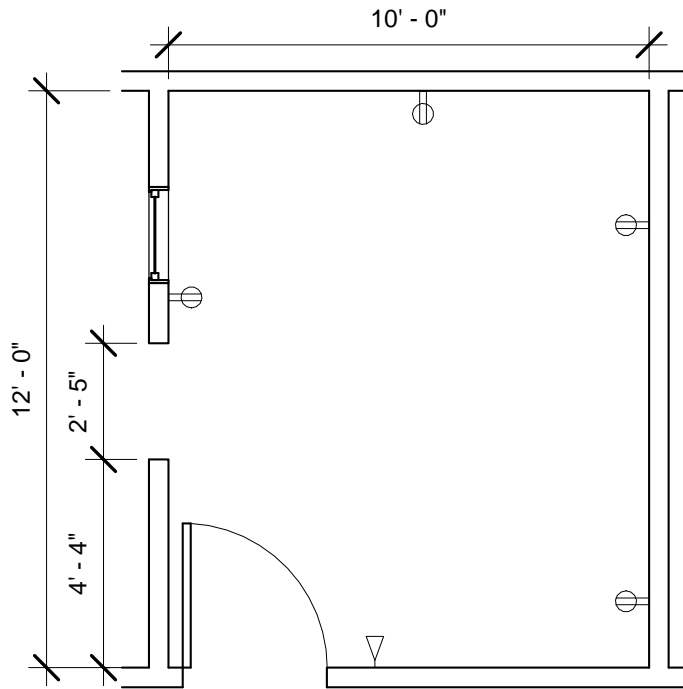
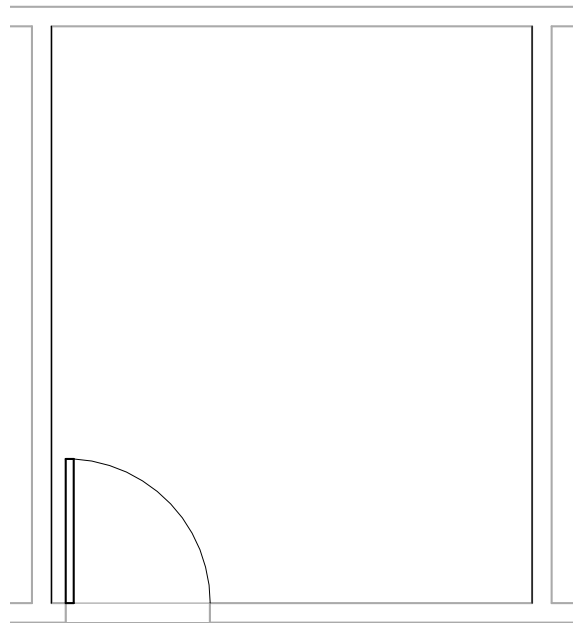


Room Description: Dental Instrument Storage, Sterile, Medium (DN6)	NSF: 120	DN6	
Sheet Description: Room/Equipment Isometric	Scale:	Sheet 1	of 6

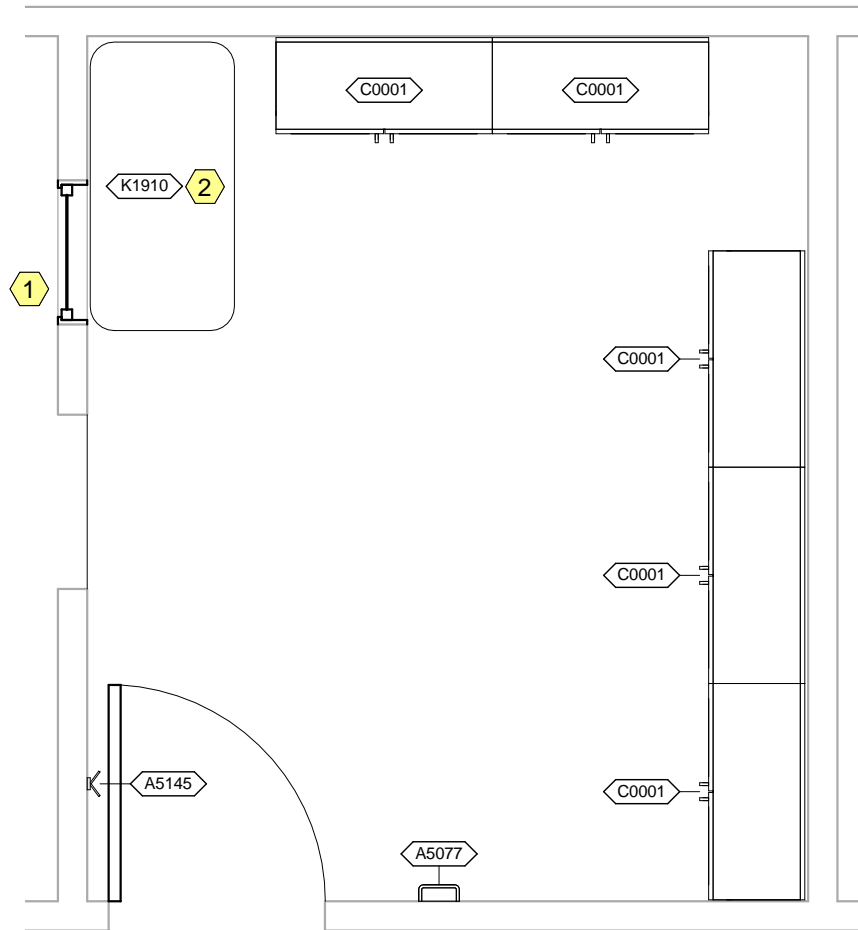


DNSC6 - FLOOR PLAN



DNSC6 - CEILING MOUNTED EQUIPMENT PLAN

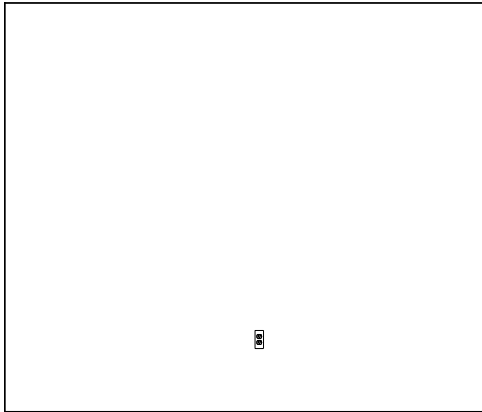
Room Description: Dental Instrument Storage, Sterile, Medium (DNSC6)	NSF: 120	DNSC6	
Sheet Description: Floor & Ceiling Mounted Equipment Plans	Scale: 1/4" = 1'-0"	Sheet 2	of 6



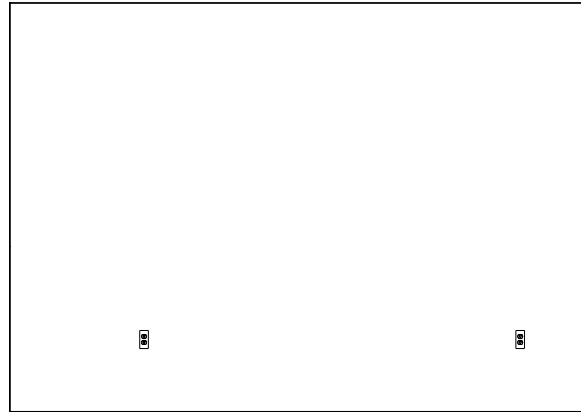
DNSC6 - NOTES

- 1 Pass Window, 24"W x 36"H.
- 2 JSN K1910, Table, Work, Stainless Steel, shown as 48"W x 24"D, shall have casters.

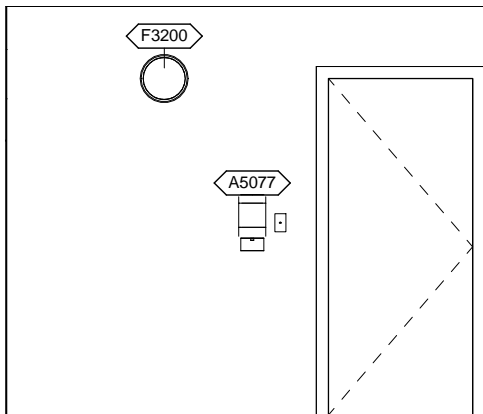
Room Description: Dental Instrument Storage, Sterile, Medium (DNSC6)	NSF: 120	DNSC6	
Sheet Description: Equipment Plan	Scale: 3/8" = 1'-0"	Sheet 3	of 6



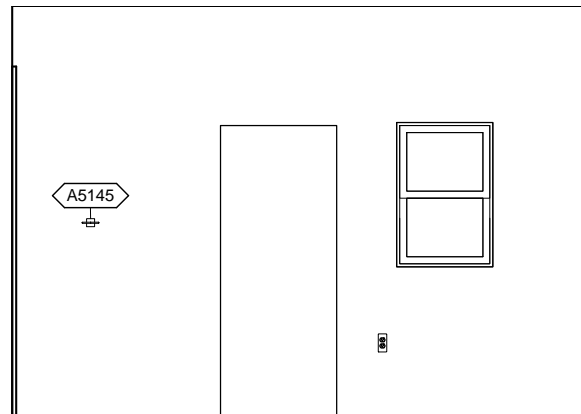
DNSC6 - NORTH ELEVATION



DNSC6 - EAST ELEVATION



DNSC6 - SOUTH ELEVATION



DNSC6 - WEST ELEVATION

Room Description: Dental Instrument Storage, Sterile, Medium (DNSC6)	NSF: 120	DNSC6	
Sheet Description: Interior Room Elevations	Scale: 1/4" = 1'-0"	Sheet 4	of 6

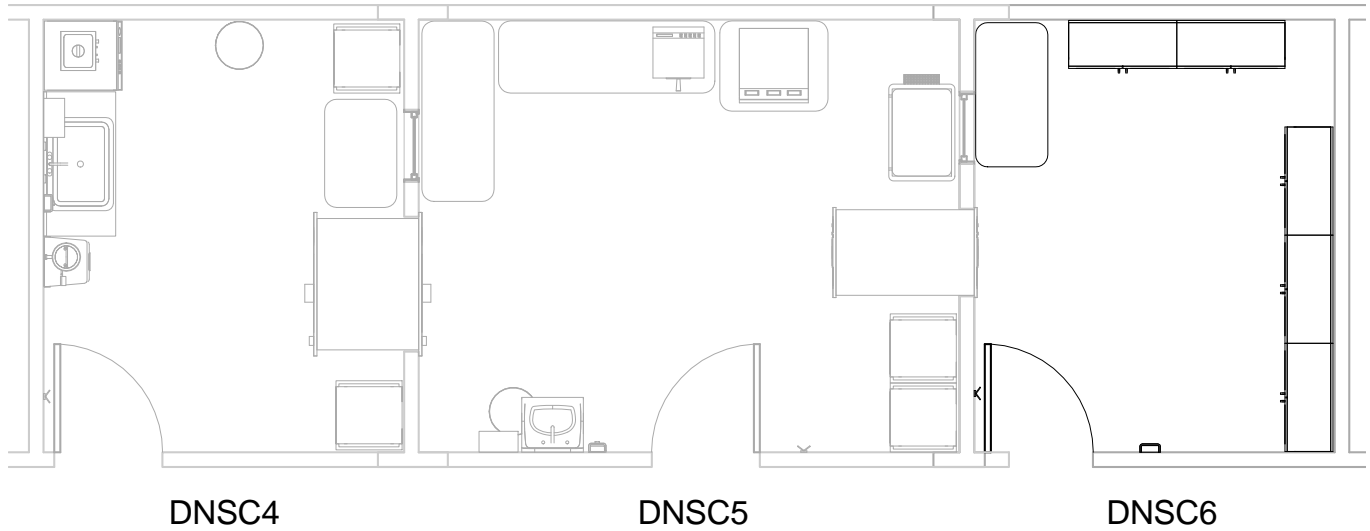
DNOSC6 - EQUIPMENT SCHEDULE

JSN	Nomenclature	Qty	LF	Logistics			Utilities							
				AR	NA	AF	VA	1	2	3	4	5	6	
A5077	Dispenser, Hand Sanitizer, Hands free	1		C	C	C	C	-	-	-	-	-	-	-
A5145	Hook, Garment, Double, SS, Surface Mounted	1		A	A	A	A	-	-	-	-	-	-	-
C0001	Cabinet, Floor Standing, 2 GDO, ST, 60x36x16	5		A	A	A	A	-	-	-	-	-	-	-
K1910	Table, Work, Stainless Steel	1		A	A	A	A	-	-	-	-	-	-	-

DNOSC6 - DATA/TELEPHONE EQUIPMENT

JSN	Nomenclature	Qty	Logistics			
			AR	NA	AF	VA
A1014	Telephone, Wall Mounted, 1 Line, with Speaker	1	A	A	A	A

Room Description: Dental Instrument Storage, Sterile, Medium (DNOSC6)	NSF: 120	DNOSC6	
Sheet Description: Equipment & Data Schedules	Scale:	Sheet 5	of 6



Room Description: Dental Instrument Storage, Sterile, Medium (DNSC6)	NSF: 120	DNSC6	
Sheet Description: Flow Diagram	Scale: 3/16" = 1'-0"	Sheet 6	of 6