

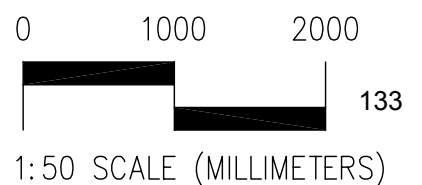
DENTAL PROSTHODONTIC LAB, SMALL (DNPL1)

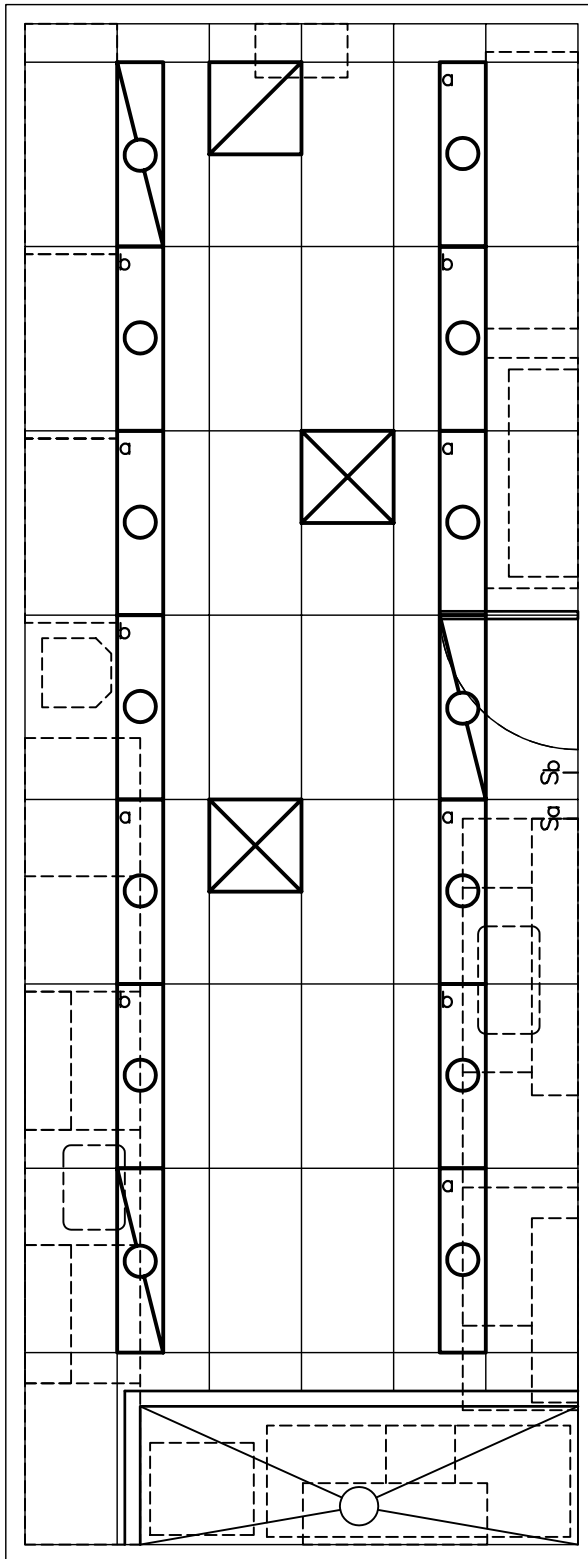
3.20.13

DENTAL CLINIC

FLOOR/EQUIPMENT PLAN 36.79 NSM (396 NSF)

DATE: 04/24/2006





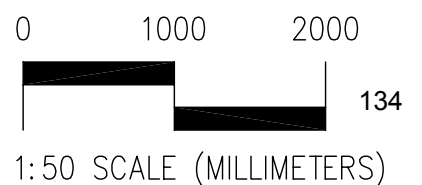
**DENTAL PROSTHODONTIC LAB,
SMALL (DNPL1)**

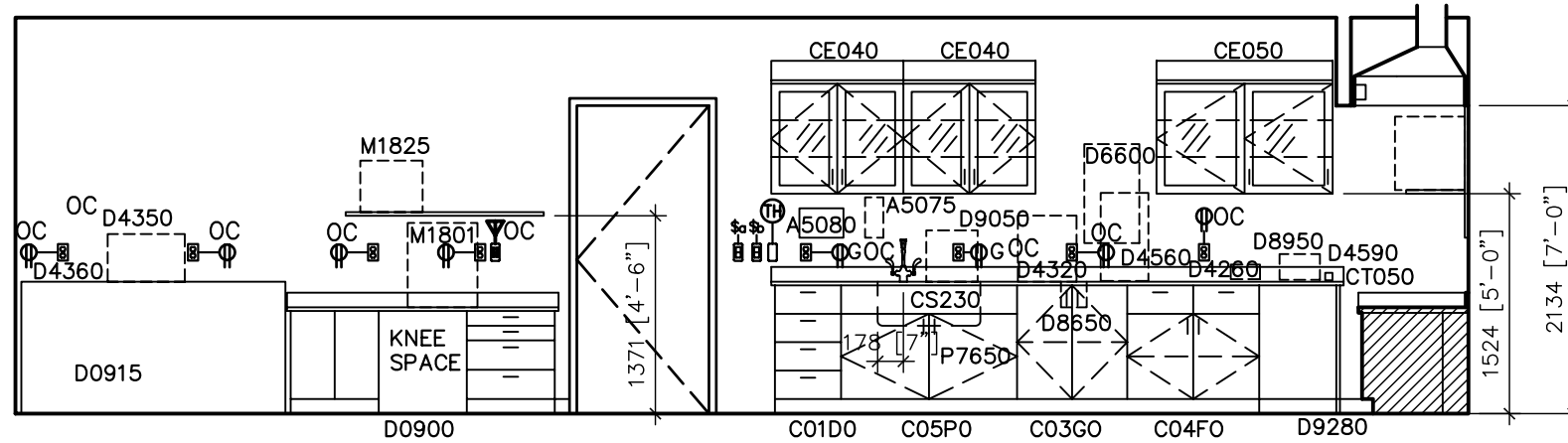
3.20.13

DENTAL CLINIC

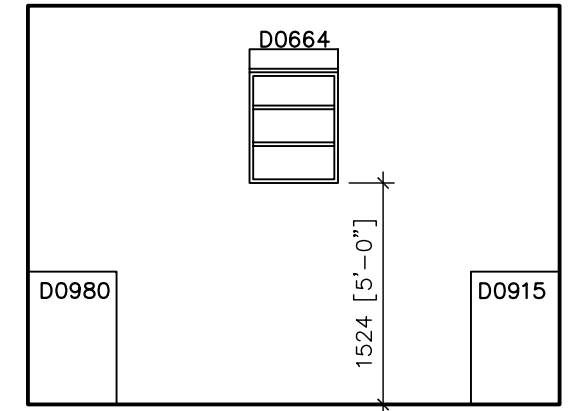
REFLECTED CEILING PLAN

DATE: 04/24/2006

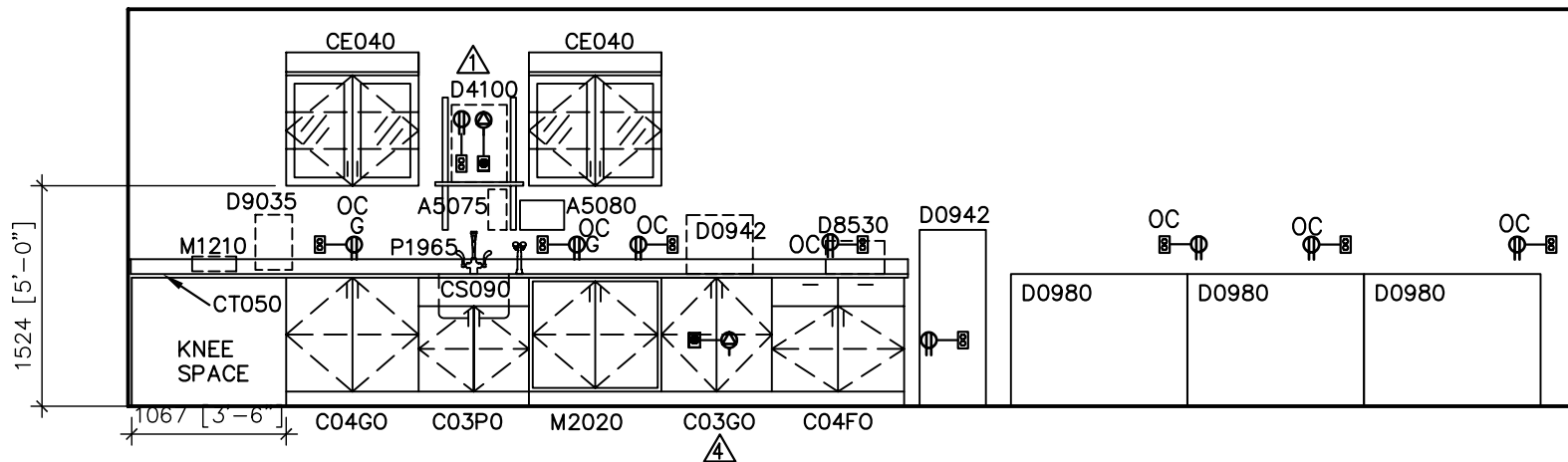




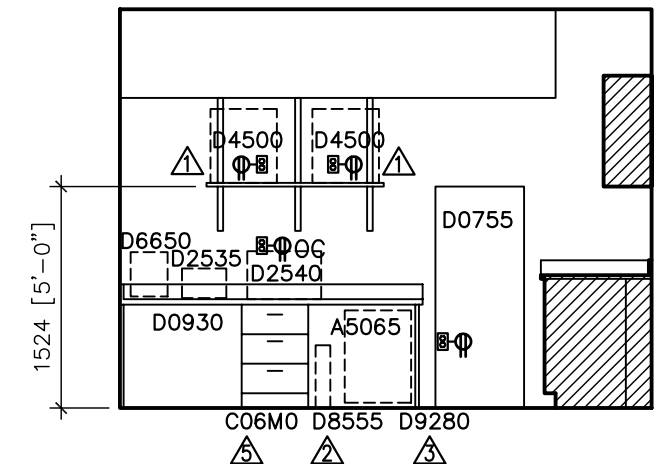
EAST



NORTH



WEST



SOUTH

KEY NOTES:

- ▲ PROVIDE ELEC. OUTLETS AT +1676 MM [5'-6"] A.F.F.
- ▲ PROVIDE OXYGEN TANKS FOR D8555
- ▲ END PANEL IS 29" HEIGHT AT 30" HEIGHT WORKSURFACE.
- ▲ THIS CABINET IS FOR DUST COLLECTOR OF JSN: D0943
- ▲ PROVIDE CASTING RING COOL-DOWN WITH STEEL GRID FOR JSN: D0930

**DENTAL PROSTHODONTIC LAB,
SMALL (DNPL1)**

3.20.13

DENTAL CLINIC

ELEVATIONS

DATE: 04/24/2006

0 1000 2000



1:50 SCALE (MILLIMETERS)

Medical Equipment Room Guide Plates

3.20 Dental Unit

Plate Number 3.20.13

Room Name: Dental Prosthodontic Lab, Small

SEPS# DNPL1

JSN	Nomenclature	Qty	Army Cat	Navy Cat	AF Cat	Utilities					
						1	2	3	4	5	6
A5065	Cabinet, Narcotic, U/C or Ctr, With Safe, 24x24x12	1	C	C	C
A5075	Dispenser, Soap, Disposable	2	C	C	C
A5080	Dispenser, Paper Towel, SS, Surface Mounted	2	A	A	A
CT050	Countertop, Stainless Steel	28	A	A	A
D0664	Cabinet, Wall Hanging, Dental Laboratory, 30x24x12	1	A	A	A
D0755	Assembly, Boilout/Curing, Double		A	A	A	D	A	.	.	A	E
D0900	Workstation, Dental Lab, Receiving	1	A	A	A
D0915	Workstation, Dental Lab, Ceramic, Modular	1	A	A	A	.	A	D	.	A	.
D0930	Workstation, Dental Lab, Casting with hood	1	A	A	A	.	A	.	.	.	E
D0942	Workstation, Dental Lab, Microblasting	1	F	F	F	.	A	D	.	.	.
D0960	Workstation, Dental Lab, Plaster	1	A	A	A	D	A	D	.	.	.
D0980	Workstation, Dental Lab, Polishing, Single	3	A	A	A	.	A
D2535	Welder, Tack, Orthodontic	1	C	C	C	.	A
D2540	Casting Machine, Manual, Broken Arm	1	C	C	C
D3295	Chair, Rotary, Laboratory, Dental	4	C	C	C
D4100	Cleaner, Steam, Dental	1	C	C	C	D	D
D4260	Handpiece, Laboratory, Dental, Electric	varies	C	C	C	.	A
D4320	Press, Flask, Hydraulic, Single Flask	1	C	C	C
D4350	Oven, Curing, Dental	1	C	C	C	.	A
D4360	Pump, Vacuum, Dental Oven	1	C	C	C	.	A
D4500	Furnace, Laboratory, Dental, Burnout	2	C	C	C	.	A
D4560	Engine, Dental, Bench, Electric	1	C	C	C	.	A
D4590	Chisel, Dental, Pneumatic	1	C	C	C	.	.	D	.	.	.
D6600	Mixer / Investor, With Vacuum	1	C	C	C	.	A
D6650	Former, Vacuum, With Motor, Vacuum Pump, Heater	1	C	C	C	.	A
D8530	Polisher, Electrochemical	1	C	C	C	.	A
D8555	Torch, Casting/Soldering, Dental	1	C	C	C	.	.	C	.	A	E
D8650	Chute, Waste, Plaster, Counter Mounted	1	A	A	A
D8950	Vibrator, Dental, Heavy Duty	1	C	C	C	.	A
D9015	Microfinisher, Dental, Counter Mounted	1	A	A	A	.	A	D	.	.	.
D9050	Trimmer, Model, Dental, 1/4 HP	1	B	B	B	.B	A
D9035	Driver, Model Indexing Pins	1	C	C	C	.	A
F0280	Chair, Swivel, Low Back	1	C	C	C
M1210	Balance, Electronic, Laboratory/Pharmacy	1	C	C	C	.	A
M1801	Computer, Microprocessing, w/Flat Panel Monitor	1	C	C	C	.	A
M1825	Printer, Computer	1	C	C	C	.	A
M2020	Cabinet, Storage, Safety, Built-In, Vented	1	A	A	A	E
P7650	Trap, Plaster, Small	1	A	A	A	I
P1965	Eyewash, Eye/Face, Sink Mounted, Hands-free	1	A	A	A	A

April 24, 2006

Medical Equipment Room Guide Plates

3.20 Dental Unit

Plate Number 3.20.13

Room Name: Dental Prosthodontic Lab, Small

SEPS# DNPL1

JSN	Nomenclature	Qty	Army Cat	Navy Cat	AF Cat	Utilities					
						1	2	3	4	5	6
D9280	Legs, Rail, Apron	2	A	A	A
CE040	Cabinet, W/H, 2 SH, 2 GDO, Sloping Top, 38x36x13	4	A	A	A
CE050	Cabinet, W/H, 2 SH, 2 GDO, Sloping Top, 38x48x13	1	A	A	A
C01D0	Cabinet, U/C/B, 4 Drawer, 36x18x22	1	A	A	A
C03G0	Cabinet, U/C/B, 2 Shelf, 2 Door, 36x30x22	2	A	A	A
C03P0	Cabinet, Sink, U/C/B, 2 Door, 30" W	1	A	A	A
C04G0	Cabinet, U/C/B, 2 Shelf, 2 Door, 36x36x22	1	A	A	A
C04F0	Cabinet, U/C/B, 1 Shelf, 2 Half DR, 2 DO, 36x36x22	2	A	A	A
C05P0	Cabinet, Sink, U/C/B, 2 Door, 36x48x22	1	A	A	A
C06M0	Cabinet, U/C/B, 1 PBD, 2 DR, 1 File DR, 30x18x22	1	A	A	A
CS090	Sink, SS, Single Compartment, 7.5x19x16 ID	1	A	A	A	D
CS200	Sink, SS, Single Compartment, 12x28x16 ID	1	A	A	A	D

April 24, 2006