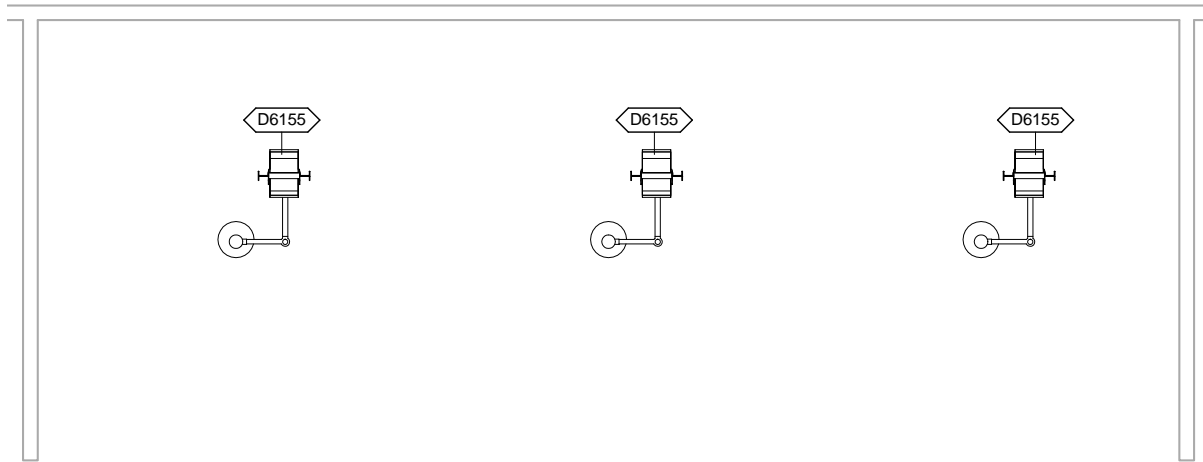
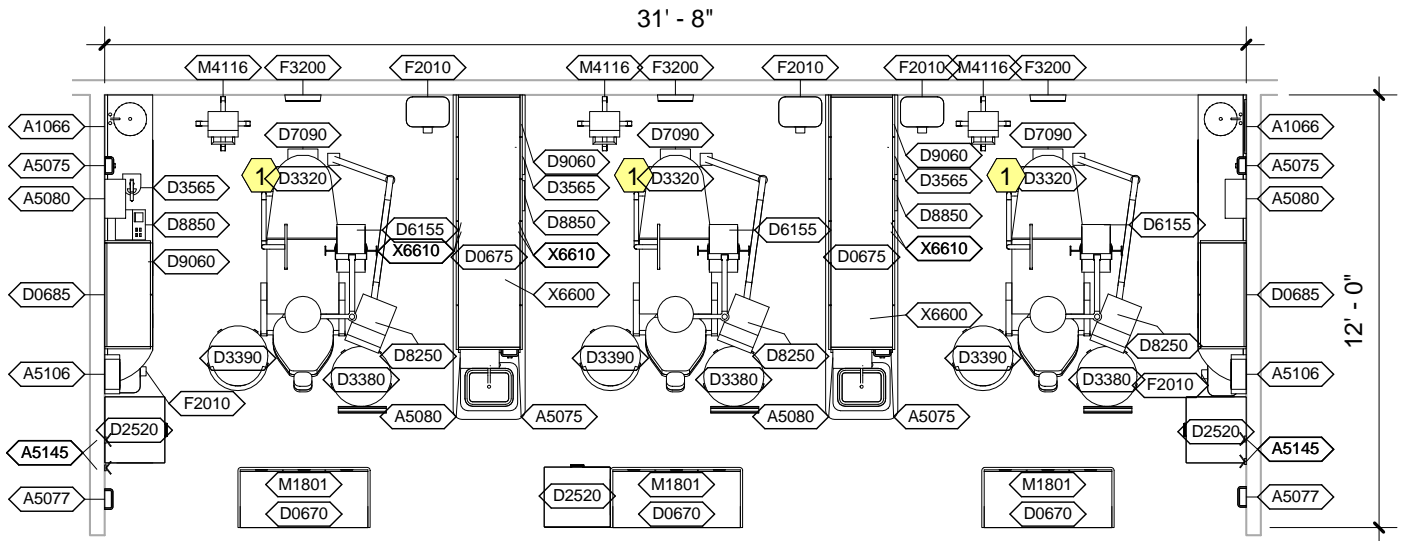


<b>Room Description:</b> Dental Treatment Room, Multi-Chair (DNTG4)	<b>NSF:</b> 380	<b>DNTG4</b>	
<b>Sheet Description:</b> Room/Equipment Isometric	<b>Scale:</b>	Sheet <b>1</b>	of <b>5</b>



DNTG4 - CEILING MOUNTED EQUIPMENT PLAN

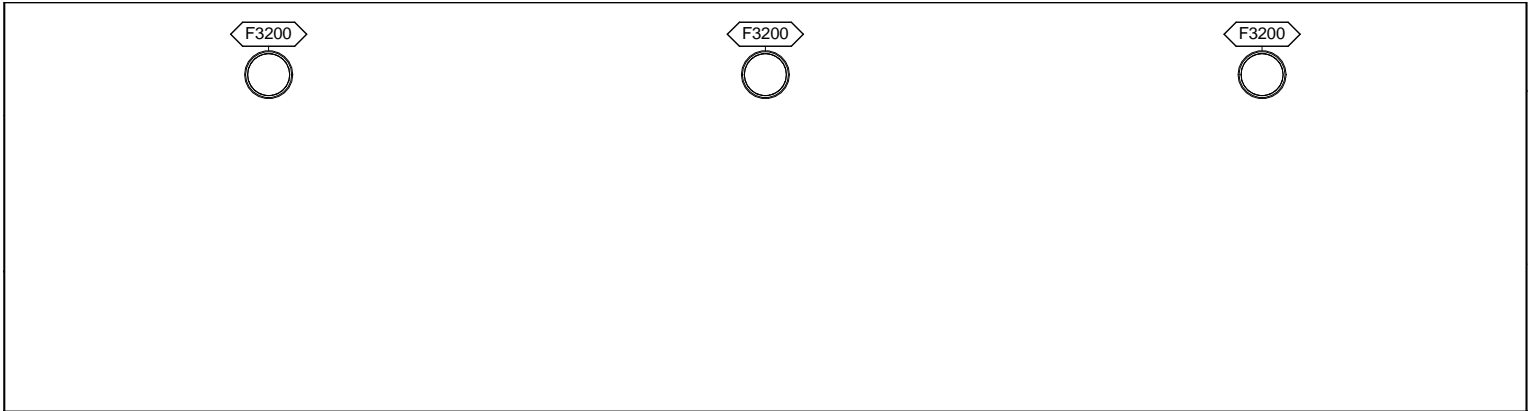
<b>Room Description:</b> Dental Treatment Room, Multi-Chair (DNTG4)	<b>NSF:</b> 380	<b>DNTG4</b>	
<b>Sheet Description:</b> Ceiling Mounted Equipment Plan	<b>Scale:</b> 3/16" = 1'-0"	Sheet <b>2</b>	of <b>5</b>



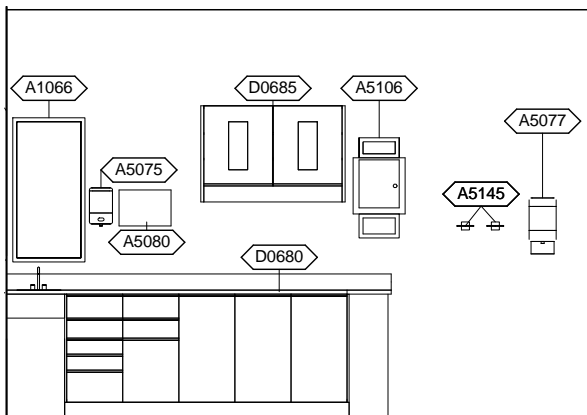
DNTG4 - NOTES

- 1 JSN D3320, Chair, Operating, Dental, should include option for monitor arm.

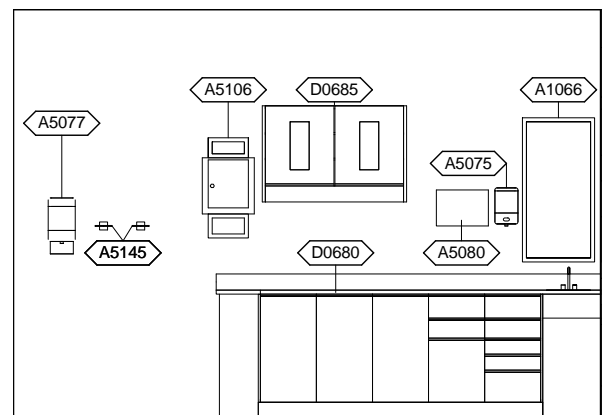
<b>Room Description:</b> Dental Treatment Room, Multi-Chair (DNTG4)	<b>NSF:</b> 380	<b>DNTG4</b>	
<b>Sheet Description:</b> Equipment Plan	<b>Scale:</b> 3/16" = 1'-0"	Sheet <b>3</b>	of <b>5</b>



DNTG4 - NORTH ELEVATION



DNTG4 - EAST ELEVATION



DNTG4 - WEST ELEVATION

<b>Room Description:</b> Dental Treatment Room, Multi-Chair (DNTG4)	<b>NSF:</b> 380	<h1>DNTG4</h1>	
<b>Sheet Description:</b> Interior Room Elevations	<b>Scale:</b> 1/4" = 1'-0"	Sheet <h2>4</h2>	of <h2>5</h2>

DNTG4 - EQUIPMENT SCHEDULE

JSN	Nomenclature	Qty	LF	Logistics				Utilities						
				AR	NA	AF	VA	1	2	3	4	5	6	
A1066	Mirror, Float Glass, With SS Frame	2		A	A	A	A	-	-	-	-	-	-	-
A5075	Dispenser, Soap, Disposable	4		C	C	C	C	-	-	-	-	-	-	-
A5077	Dispenser, Hand Sanitizer, Hands free	2		C	C	C	C	-	-	-	-	-	-	-
A5080	Dispenser, Paper Towel, SS, Surface Mounted	4		A	A	A	A	-	-	-	-	-	-	-
A5106	Waste Disposal Unit, Sharps w/Glove Dispenser	2		C	A	C	C	-	-	-	-	-	-	-
A5145	Hook, Garment, Double, SS, Surface Mounted	4		A	A	A	A	-	-	-	-	-	-	-
D0670	Console, Treatment Unit, Dental Operator	3		A	A	A	A	D	A	-	-	-	-	-
D0675	Console, Central, Dual Access, Dental Operator	2		A	A	A	A	-	-	-	-	-	-	-
D0680	Console, Accessory/Side, Dental Operator	2		A	A	A	A	D	A	-	-	-	-	-
D0685	Cabinet, Storage, Dental Operator, Wall MNTD	2		A	A	A	A	-	-	-	-	-	-	-
D2520	Cabinet, Mobile, Storage/Assistant, Dental	3		C	C	C	C	-	-	-	-	-	-	-
D3320	Chair, Operating, Dental	3		C	C	C	C	B	A	H	-	-	-	D
D3380	Stool, Operating, Dental, Doctor	3		C	C	C	C	-	-	-	-	-	-	-
D3390	Stool, Operating, Dental, Assistant	3		C	C	C	C	-	-	-	-	-	-	-
D3565	Resin Curing Unit, Visible Light	3		C	C	C	C	-	A	-	-	-	-	-
D6155	Light, Dental, Operating, Ceiling, Column	3		A	A	A	A	-	F	-	-	-	-	-
D7090	Utility Center, Dental, Wall or Floor Mounted	3		A	B	B	B	B	A	H	-	-	-	-
D8250	Delivery System, Dental Operating	3		C	C	C	C	B	B	H	-	-	-	-
D8850	Amalgamator, Dental	3		C	C	C	C	-	A	-	-	-	-	-
D9060	Prophylaxis Unit, Ultrasonic	3		C	C	C	C	J	A	D	-	-	-	-
F2010	Basket, Wastepaper, Step-On	5		C	C	C	C	-	-	-	-	-	-	-
F3200	Clock, Battery, 12" Diameter	3		C	C	C	C	-	-	-	-	-	-	-
M1801	Computer, Microprocessing, w/Flat Panel Monitor	3		C	C	C	C	-	A	-	-	-	-	-
M4116	Monitor, Vital Signs	3		C	C	C	C	-	A	-	-	-	-	-
X6600	Radiographic Unit, Dental, Wall Mounted, 7 mA	2		F	F	F	F	-	A	-	-	-	-	B
X6610	Sensor, Dental Imaging System	6		C	C	C	C	-	-	-	-	-	-	-

<b>Room Description:</b> Dental Treatment Room, Multi-Chair (DNTG4)	<b>NSF:</b> 380	<b>DNTG4</b>	
<b>Sheet Description:</b> Equipment Schedule	<b>Scale:</b>	Sheet <b>5</b>	of <b>5</b>