

# DAF STANDARD DESIGN WEAPONS AND RELEASE SYSTEM SHOP (WRSS) CATCODE: 215552

STANDARD  
DESIGNS



PHASE:	PRE-FINAL SUBMITTAL
DATE:	AS INDICATED
SCALE:	AS INDICATED

AIR FORCE  
CIVIL ENGINEER  
CENTER

WRSS

COVER SHEET

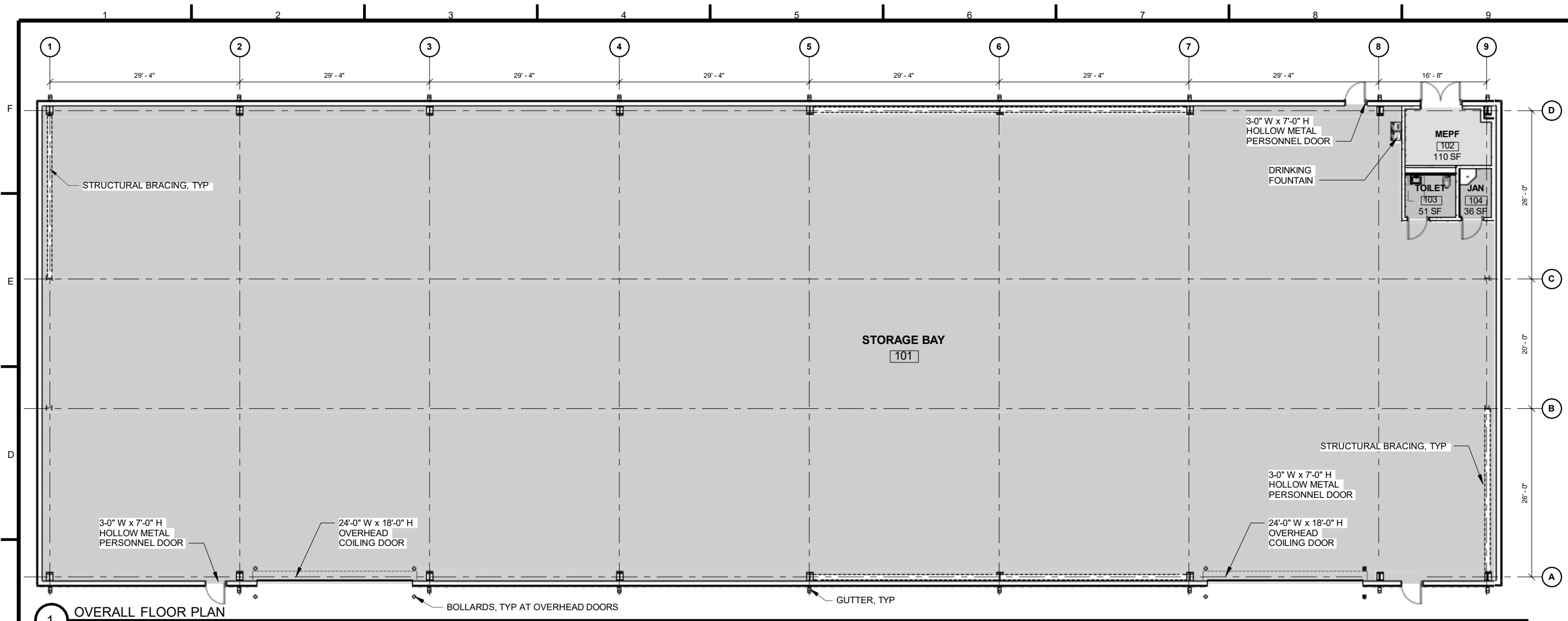
SHEET  
NUMBER  
C-1

GENERAL NOTES:

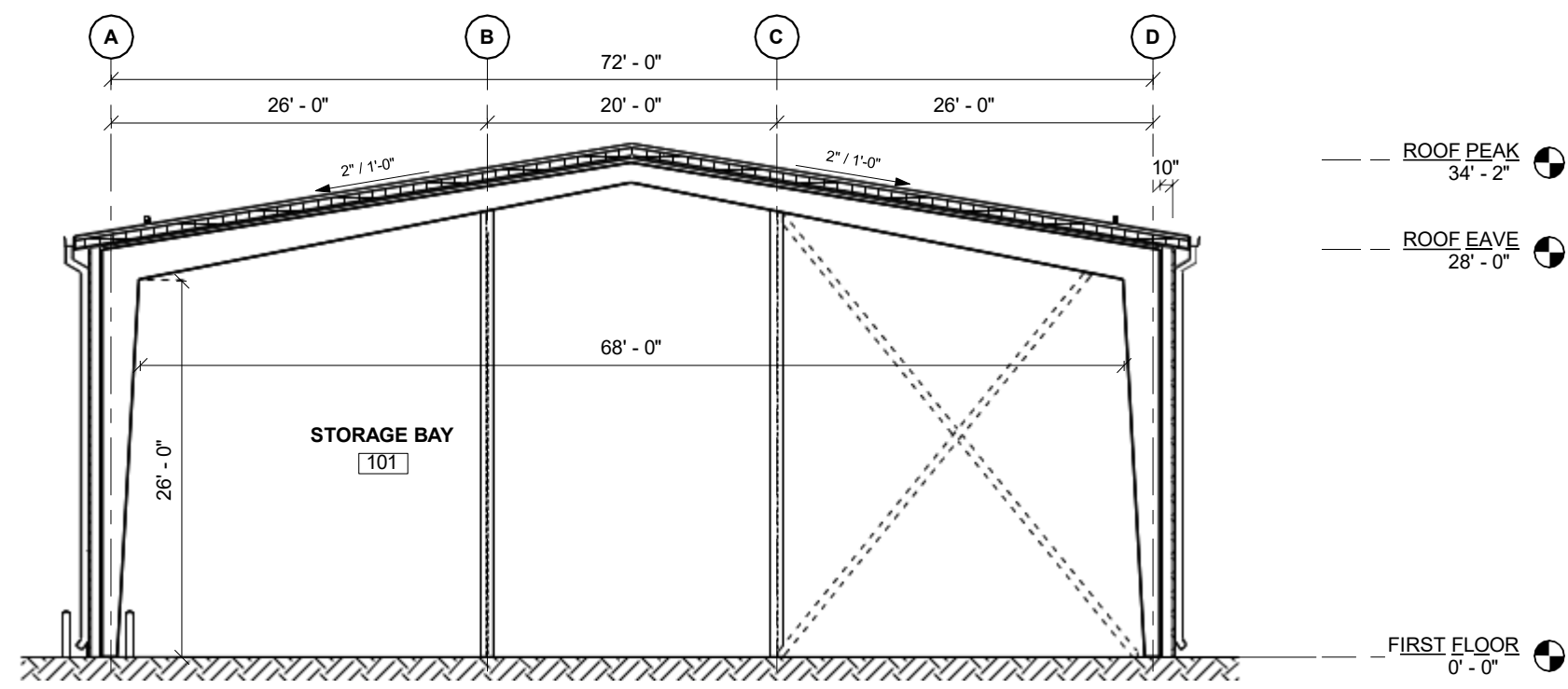
1. THE OVERALL DIMENSIONS ARE APPROXIMATE AS THE BASIS OF DESIGN CONCEPT PLAN DOES NOT INDICATE STRUCTURAL ELEMENTS, ALL PLUMBING CHASES, MISCELLANEOUS UTILITY ROOMS (MECHANICAL, ELECTRICAL, COMMUNICATIONS) OR WALL THICKNESSES, ETC.
2. AFI 32-1023 REQUIRES USE OF STANDARD DESIGNS WHEN AVAILABLE.
3. USE OF THIS STANDARD DESIGN DOES NOT ELIMINATE THE NEED TO COMPLY WITH FEDERAL MANDATES (SUCH AS EO 14057, CATALYZING CLEAN ENERGY INDUSTRIES AND JOBS THROUGH FEDERAL SUSTAINABILITY), UFCS, UFGSS, AND DOD/DAF POLICY.
4. EXCEPTIONS/EXEMPTIONS/WAIVERS ARE REQUIRED FOR PROJECTS NOT IN COMPLIANCE WITH UFC REQUIREMENTS AND DOD/DAF POLICIES. (EX: PROJECTS NOT COMPLYING WITH DOD/DAF, EO 14057, ELECTRIFICATION OF STANDARD BUILDING OPERATIONS POLICIES.)

APR 2023

NOT FOR CONSTRUCTION



1 OVERALL FLOOR PLAN



2 SECTION



PHASE:	PRE-FINAL SUBMITTAL
DATE:	AS INDICATED
SCALE:	AS INDICATED

**AIR FORCE  
CIVIL ENGINEER  
CENTER**

WRSS  
**STANDARD DESIGN  
PLAN AND SECTION**

SHEET NUMBER  
**A-1**