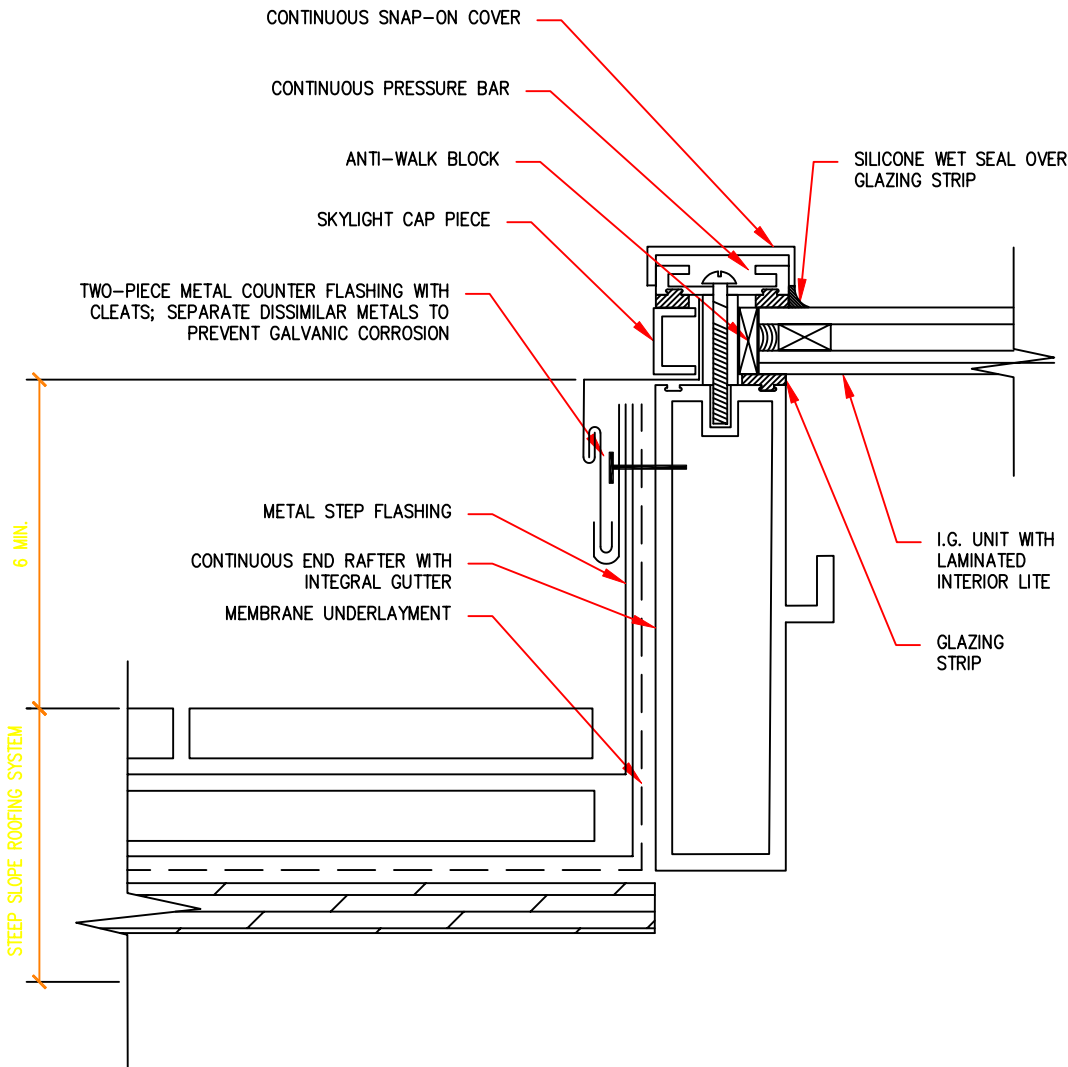


Notes:

1. Follow all manufacturer's instructions for installation
2. Flashing detail between skylight rafter and roofing system may have to be detailed for vertical movement to allow differential deflection between skylight rafter and roof framing



CONCEPTUAL – NOT FOR CONSTRUCTION

3.4-6

**SLOPED GLAZING-
VERTICAL MULLION AT
TRANSITION TO
ROOFING SYSTEM**

The details, graphics and related information shown above are intended to illustrate basic design concepts and principles only and should be considered collectively with the appropriate narrative sections of the Whole Building Design Guide (WBDG). The information contained herein is not intended for actual construction, and is subject to revision based on changes and/or refinements in local, state and national building codes, emerging building envelope technologies, and advancements in the research and understanding of building envelope failure and failure mechanisms. The actual design and configuration of these and similar details will vary based upon applicable local, state and national building code requirements, climatic considerations, and economic constraints unique to each project. Full compliance with the manufacturer's recommendations and recognized industry standards for each building envelope material, component and system specified for this and similar fenestration assemblies is recommended, and should be reflected in the appropriate sections of the project specifications.