

KEY NOTES

1. MOUNT A5145, HOOK, AT 1372 [4'-6"] AFF. PROVIDE 2-A5145'S FOR NAVY PROJECTS ONLY.
MOUNT 1-A5145 AT 1372 [4'-6"] AFF AND 1-A5145 AT 1524 [5'-0"] AFF.
2. PROVIDE A5109, GRAB BAR, THAT COMPLIES WITH ADA.
3. COORDINATE LOCATION OF M1620, PATIENT CHART HOLDER, AND ROOM SIGNAGE.

ULTRASOUND & TOILET, UNISEX (XDUS1/TLTU1)

RADIOLOGY/NUCLEAR MEDICINE

FLOOR/EQUIPMENT PLAN

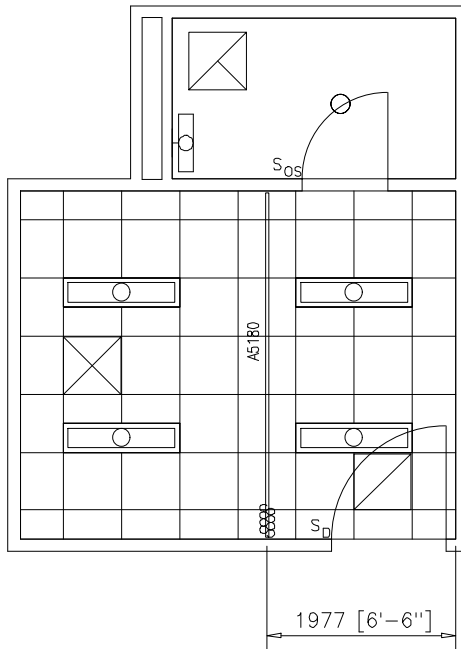
21.70 NSM (234 NSF)

DATE: 07/12/2001

0 1000 2000



1:50 SCALE (MILLIMETERS)



ULTRASOUND & TOILET, UNISEX (XDUS1/TLTU1)

RADIOLOGY/NUCLEAR MEDICINE

CEILING PLAN

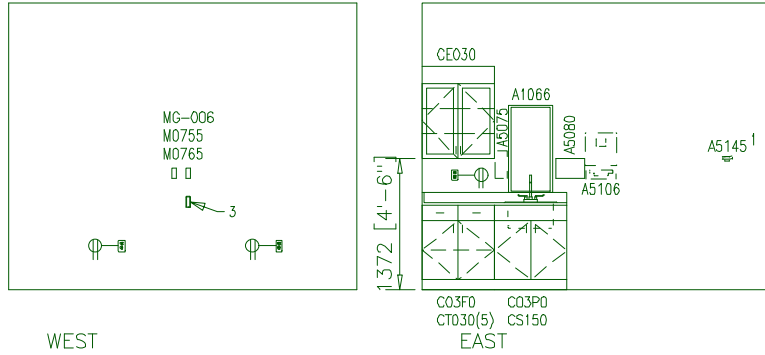
21.70 NSM (234 NSF)

DATE: 07/12/2001

0 1000 2000

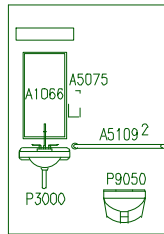


1:50 SCALE (MILLIMETERS)

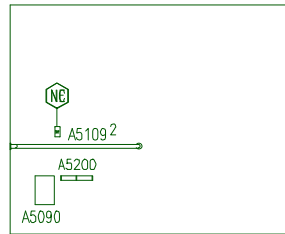


General Notes:

1. For typical equipment mounting heights see "TYPICAL EQUIPMENT MOUNTING HEIGHTS" drawing.
2. MIL-STD-1691 data can only be accessed from the Equipment Plan.



WEST (TOILET)



NORTH (TOILET)

KEY NOTES

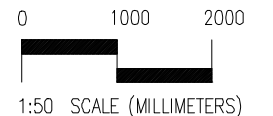
1. MOUNT A5145, HOOK, AT 1372 [4'-6"] AFF. PROVIDE 2-A5145'S FOR NAVY PROJECTS ONLY.
MOUNT 1-A5145 AT 1372 [4'-6"] AFF AND 1-A5145 AT 1524 [5'-0"] AFF.
2. PROVIDE A5109, GRAB BAR, THAT COMPLIES WITH ADA.
3. VACUUM SLIDE.

ULTRASOUND & TOILET, UNISEX (XDUS1/TLTU1)

RADIOLOGY/NUCLEAR MEDICINE

ELEVATIONS 21.70 NSM (234 NSF)

DATE: 07/12/2001



Project Rooms (User Contents Only)

As of 10/04/2005

Page 1

Room Code: TLTU1 Room Qty: 1 Room Area: 53.61 Room Description: TOILET, UNISEX

JSN	NOMENCLATURE	Qty	UNIT	LOG	Utl	Utl	Utl	Utl	Utl	Utl
			ISSUE	CAT	1	2	3	4	5	6

Equipment per Room:

A1066	Mirror, Float Glass, With SS Frame, 36X18	1	EA	A
A5075	Dispenser, Soap, Disposable	1	EA	C
A5080	Dispenser, Paper Towel, SS, Surface Mounted	1	EA	A
A5090	Disposal, Sanitary Napkin, SS, Surface Mounted	1	EA	A
A5109	Grab Bar, 1-1/4" Dia., SS, 2 Wall, W/C Accessibl	1	EA	A
A5145	Hook, Garment, Double, SS, Surface Mounted	1	EA	A
A5202	Dispenser, Toilet Paper w/Utility Shelf, SS, 2-Ro	1	EA	A
F2000	Basket, Wastepaper, Round, Metal, 18 H x 16 Dia.	1	EA	C
P3000	Lavatory, Vitreous China, Straight Back	1	EA	A	D
P9050	Toilet, Wall Hung, Siphon Jet	1	EA	A	B
A1066	Mirror, Float Glass, With SS Frame, 36X18	1	EA	A
A5075	Dispenser, Soap, Disposable	1	EA	C
A5080	Dispenser, Paper Towel, SS, Surface Mounted	1	EA	A
A5106	Waste Disposal Unit, Sharps w/Glove Dispenser	1	EA	C
A5145	Hook, Garment, Double, SS, Surface Mounted	1	EA	A
A5180	Track, Cubicle, Surface Mounted, With Curtain	1	FT	A
C03F0	Cabinet, U/C/B, 1 Shelf, 2 Half DR, 2 DO, 36x30x	1	EA	A
C03P0	Cabinet, Sink, U/C/B, 2 Door, 36x30x22	1	EA	A
CE030	Cabinet, W/H, 2 SH, 2 GDO, Sloping Top, 38x30x13	1	EA	A
CS150	Sink, SS, Single Compartment, 10x19x16 ID	1	EA	A	D
CT030	Countertop, High Pressure Laminate	5	LF	A
E0930	Locker, Supply, 6 Drawers, Mobile, 29"W x 20"D	1	EA	C
E0945	Cart, Computer, Mobile, 48"H x 54"W x 22"D	1	EA	C
F0205	Chair, Side With Arms	1	EA	C
F0340	Stool, Self Adjusting	1	EA	C
F0355	Footstool, Straight	1	EA	C
F2000	Basket, Wastepaper, Round, Metal, 18 H x 16 Dia.	1	EA	C
F3200	Clock, Battery, 12" Diameter	1	EA	C
M0755	Flowmeter, Oxygen, Low Flow	1	EA	C	.	.	A	.	.	.
M0765	Regulator, Vacuum	1	EA	C	.	.	B	.	.	.
M1620	Holder, Chart, Patient, Wall or Door Mounted	1	EA	A
M1800	Computer, Microprocessing, w/CRT Monitor	1	EA	C	.	A

M3072	Frame, Infectious Waste Bag w/Lid	1	EA	C
M4255	Stand, IV, Adjustable	1	EA	C
M4266	Pump, Volumetric, Infusion, Multiple Line	1	EA	C	.	A
M4655	Stretcher, Mobile, CRS, 9 Position	1	EA	C
M8810	Stand, Mayo	1	EA	C
X2100	Scanner, Ultrasound, General Purpose	1	EA	C	.	B
X3930	Illuminator, Film, Double, Wall Mounted, 20x29x6	1	EA	C	.	A
		=====								
GRAND TOTAL		43								