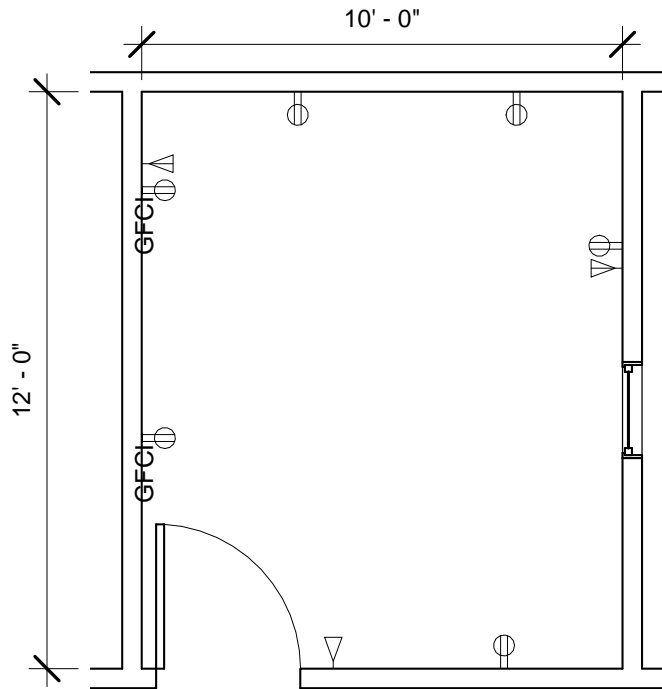
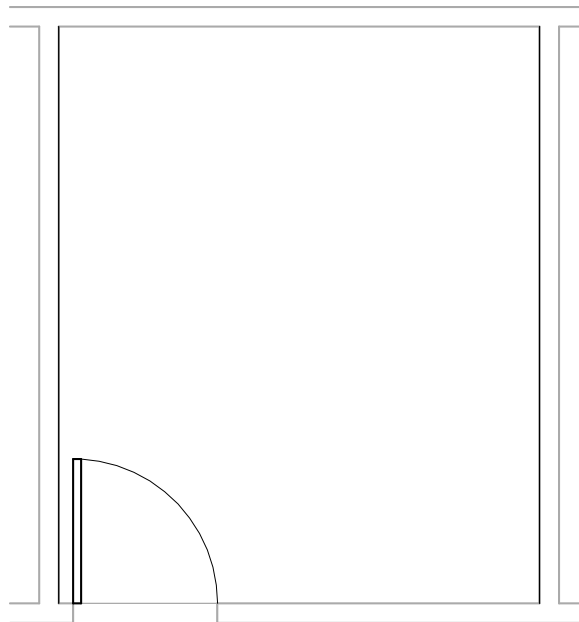




<b>Room Description:</b> Utility, Scope Wash, Soiled (USCL2)	<b>NSF:</b> 120	<b>USCL2</b>	
<b>Sheet Description:</b> Room/Equipment Isometric	<b>Scale:</b>	Sheet <b>1</b>	of <b>6</b>

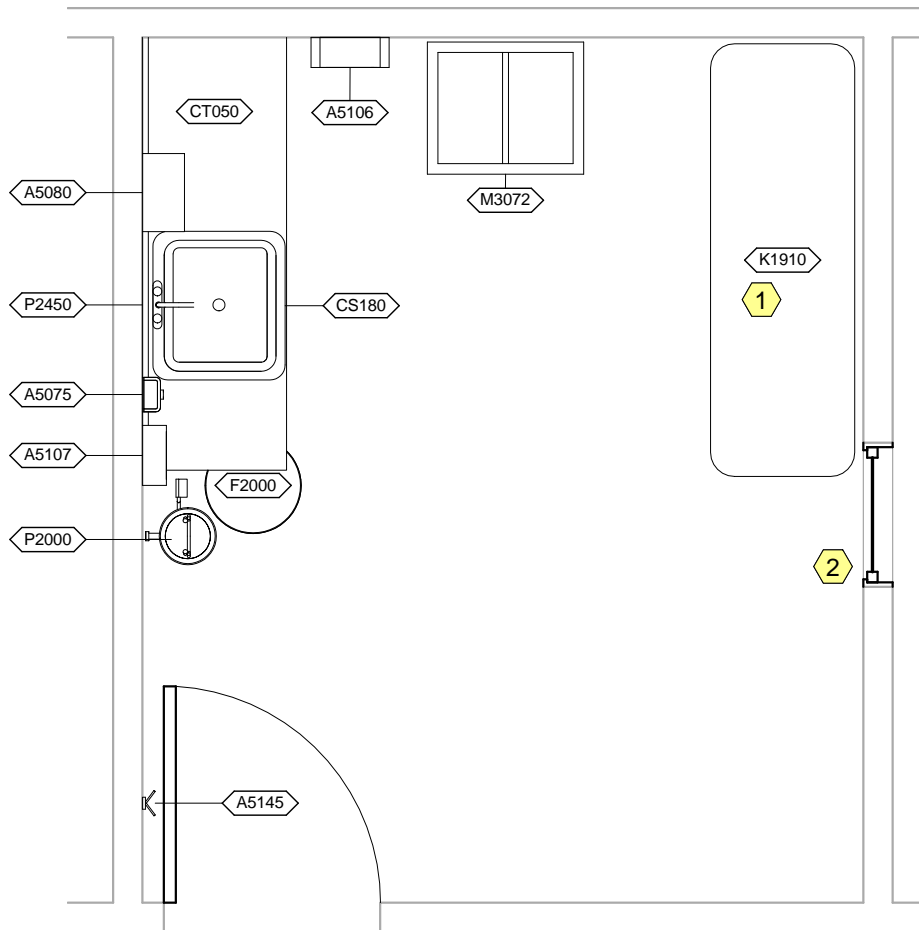


**USCL2 - FLOOR PLAN**



**USCL2 - CEILING MOUNTED EQUIPMENT PLAN**

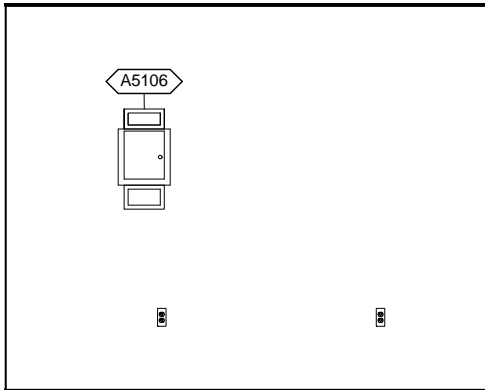
<b>Room Description:</b> Utility, Scope Wash, Soiled (USCL2)	<b>NSF:</b> 120	<b>USCL2</b>	
<b>Sheet Description:</b> Floor & Ceiling Plans	<b>Scale:</b> 1/4" = 1'-0"	Sheet <b>2</b>	of <b>6</b>



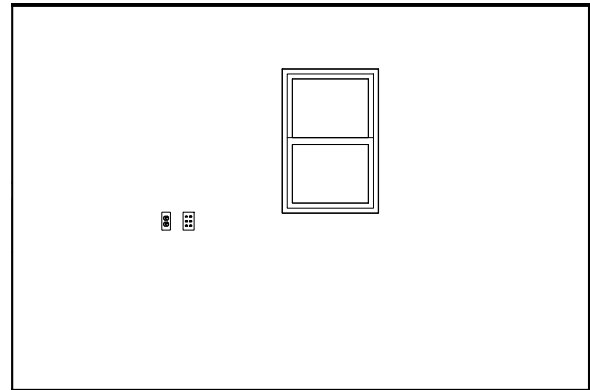
USCL2 - NOTES

- 1 JSN K1910, Table, shall be 72" wide and 24" deep with casters.
- 2 Pass-thru window, 24"W x 36"H.

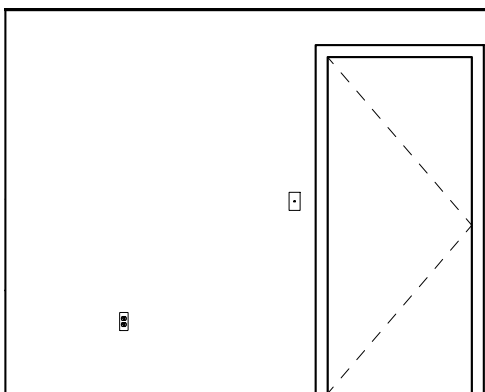
<b>Room Description:</b> Utility, Scope Wash, Soiled (USCL2)	<b>NSF:</b> 120	<b>USCL2</b>	
<b>Sheet Description:</b> Equipment Plan	<b>Scale:</b> 3/8" = 1'-0"	Sheet <b>3</b>	of <b>6</b>



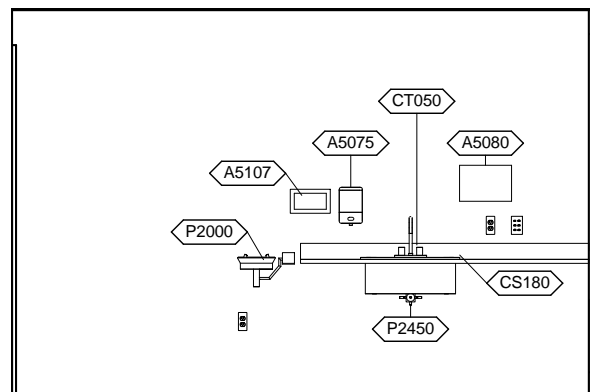
USCL2 - NORTH ELEVATION



USCL2 - EAST ELEVATION



USCL2 - SOUTH ELEVATION



USCL2 - WEST ELEVATION

<b>Room Description:</b> Utility, Scope Wash, Soiled (USCL2)	<b>NSF:</b> 120	<b>USCL2</b>	
<b>Sheet Description:</b> Interior Room Elevations	<b>Scale:</b> 1/4" = 1'-0"	Sheet <b>4</b>	of <b>6</b>

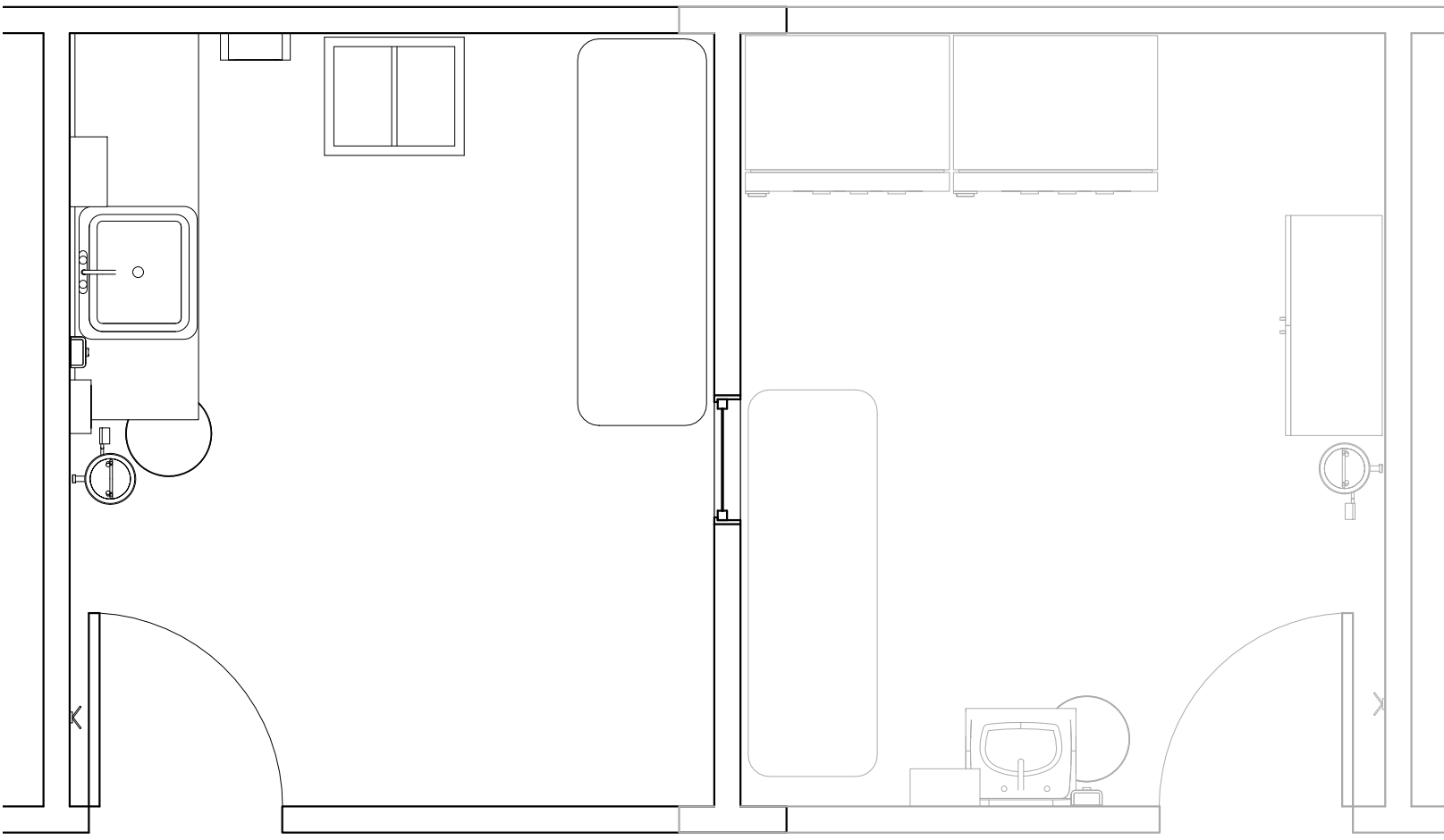
USCL2 - EQUIPMENT SCHEDULE

JSN	Nomenclature	Qty	LF	Logistics			Utilities						
				AR	NA	AF	VA	1	2	3	4	5	6
A5075	Dispenser, Soap, Disposable	1		C	C	C	C	-	-	-	-	-	-
A5080	Dispenser, Paper Towel, SS, Surface Mounted	1		A	A	A	A	-	-	-	-	-	-
A5106	Waste Disposal Unit, Sharps w/Glove Dispenser	1		C	A	C	C	-	-	-	-	-	-
A5107	Dispenser, Glove, Surgical/Examination, Wall Mntd	1		C	C	C	C	-	-	-	-	-	-
A5145	Hook, Garment, Double, SS, Surface Mounted	1		A	A	A	A	-	-	-	-	-	-
CS180	Sink, SS, Single Compartment, 12x22x16 ID	1		A	A	A	A	D	-	-	-	-	-
CT050	Countertop, Stainless Steel	1	6'-0"	A	A	A	A	-	-	-	-	-	-
F2000	Basket, Wastepaper, Round, Metal	1		C	C	C	C	-	-	-	-	-	-
M3072	Frame, Infectious Waste Bag w/Lid	1		C	C	C	C	-	-	-	-	-	-
P2000	Eyewash, Wall Mounted, Hands-Free	1		A	A	A	A	B	-	-	-	-	-
P2450	Valve, Mixing, Thermostatic	1		A	A	A	A	A	-	-	-	-	-

USCL2 - DATA/TELEPHONE EQUIPMENT

JSN	Nomenclature	Qty	Logistics			
			AR	NA	AF	VA
A1010	Telecommunication Outlet	2	A	A	A	A
A1014	Telephone, Wall Mounted, 1 Line, with Speaker	1	A	A	A	A

<b>Room Description:</b> Utility, Scope Wash, Soiled (USCL2)	<b>NSF:</b> 120	<b>USCL2</b>	
<b>Sheet Description:</b> Equipment Schedule	<b>Scale:</b>	Sheet <b>5</b>	of <b>6</b>



**USCL2**

**UCCL2**

<b>Room Description:</b> Utility, Scope Wash, Soiled (USCL2)	<b>NSF:</b> 120	<b>USCL2</b>	
<b>Sheet Description:</b> Floor & Ceiling Plans	<b>Scale:</b> 3/8" = 1'-0"	Sheet <b>6</b>	of <b>6</b>