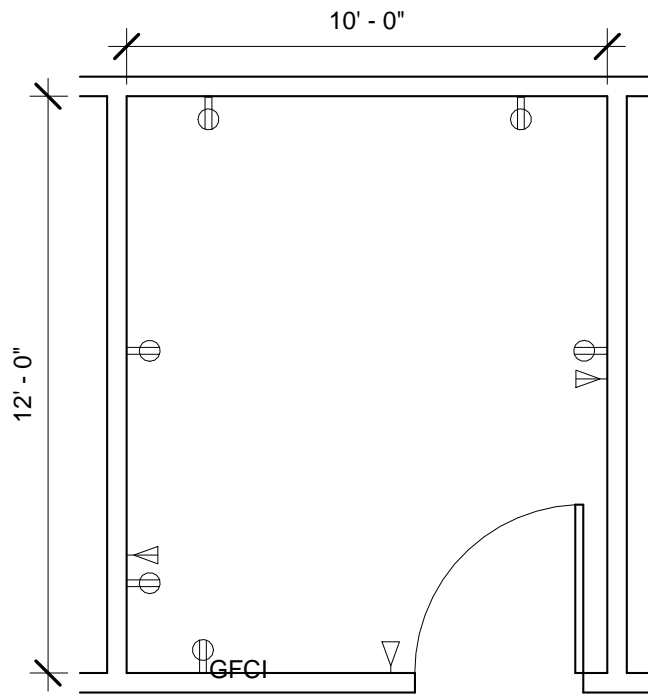
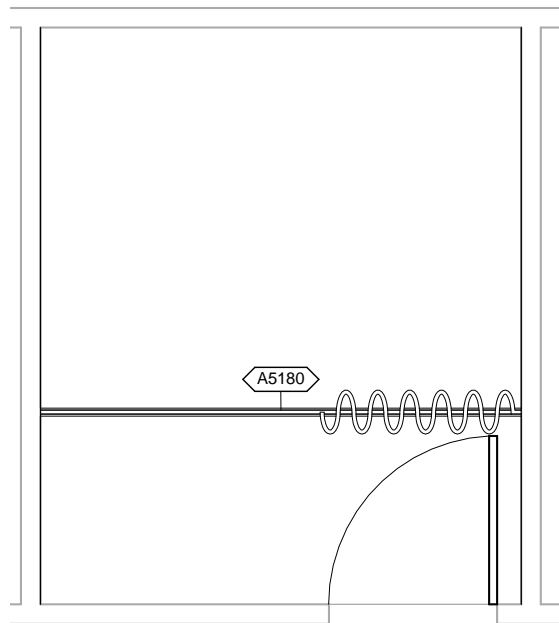


|   |                 |                   |                |
|---|-----------------|-------------------|----------------|
| <b>Room Description:</b> Electromyography (EMG) (PTEM1) | <b>NSF:</b> 120 | <b>PTEM1</b>      |                |
| <b>Sheet Description:</b> Room/Equipment Isometric      | <b>Scale:</b>   | Sheet<br><b>1</b> | of<br><b>5</b> |

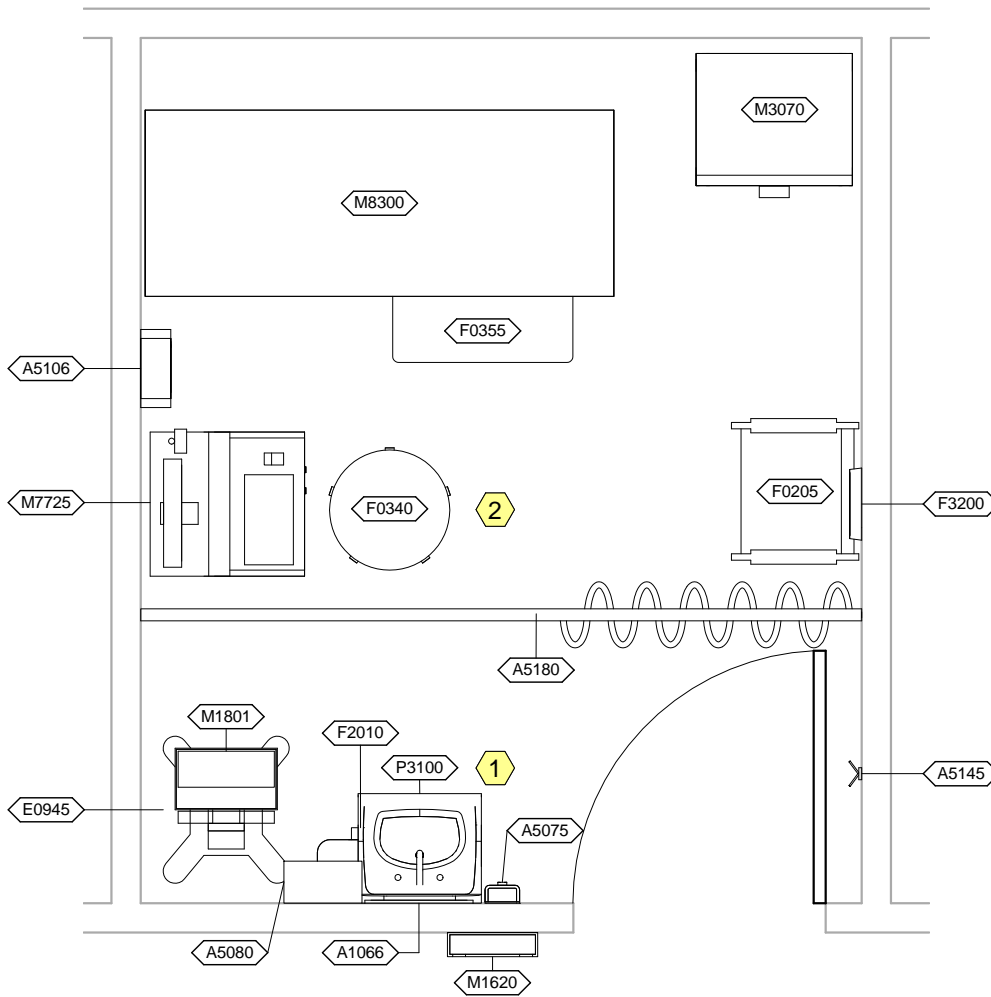


**PTEM1 - FLOOR PLAN**



**PTEM1 - CEILING MOUNTED EQUIPMENT PLAN**

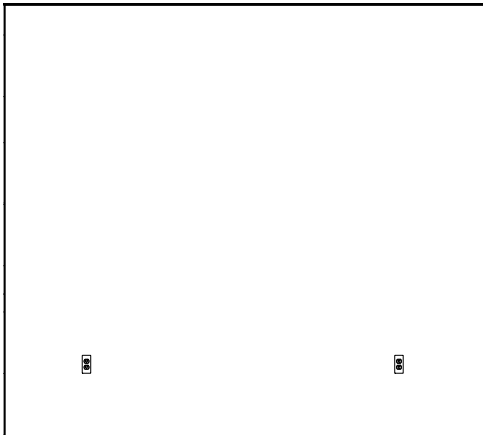
|   |                            |                   |                |
|---|----------------------------|-------------------|----------------|
| <b>Room Description:</b> Electromyography (EMG) (PTEM1)           | <b>NSF:</b> 120            | <b>PTEM1</b>      |                |
| <b>Sheet Description:</b> Floor & Ceiling Mounted Equipment Plans | <b>Scale:</b> 1/4" = 1'-0" | Sheet<br><b>2</b> | of<br><b>5</b> |



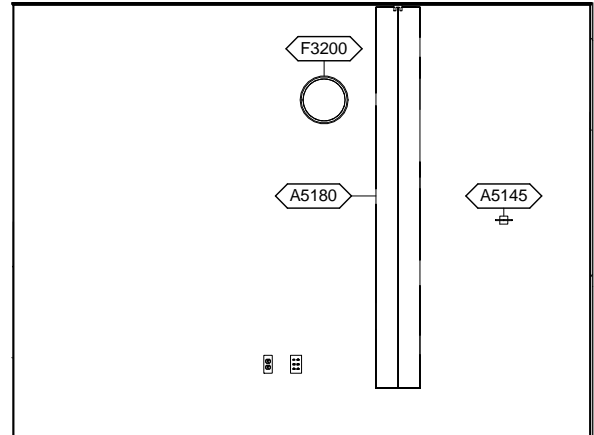
**PTEM1 - NOTES**

- 1 JSN P8710, Utility Center, shall be included on Navy projects only.
- 2 Analysis required to determine extent of room shielding for EMI protection of medical equipment, JSN M7725.

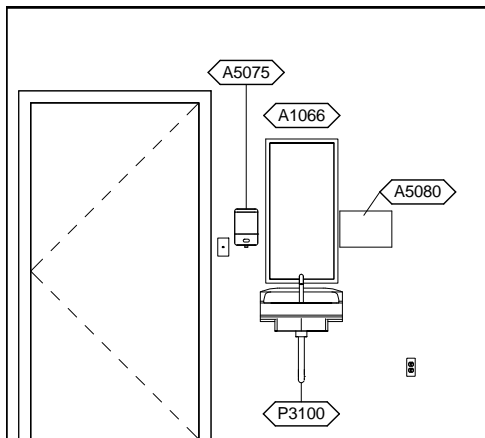
|   |                            |                   |                |
|---|----------------------------|-------------------|----------------|
| <b>Room Description:</b> Electromyography (EMG) (PTEM1) | <b>NSF:</b> 120            | <b>PTEM1</b>      |                |
| <b>Sheet Description:</b> Equipment Plan                | <b>Scale:</b> 3/8" = 1'-0" | Sheet<br><b>3</b> | of<br><b>5</b> |



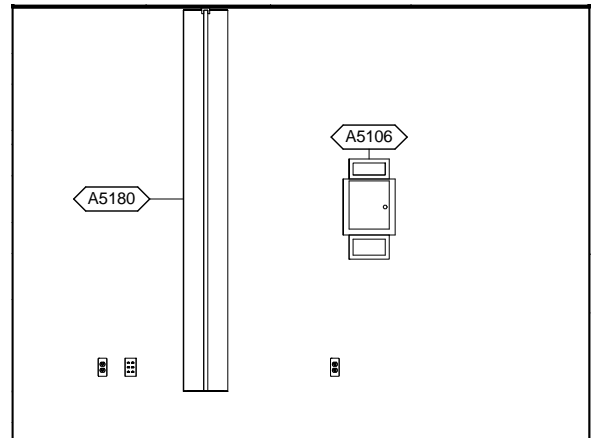
PTEM1 - NORTH ELEVATION



PTEM1 - EAST ELEVATION



PTEM1 - SOUTH ELEVATION



PTEM1 - WEST ELEVATION

|   |                            |                   |                |
|---|----------------------------|-------------------|----------------|
| <b>Room Description:</b> Electromyography (EMG) (PTEM1) | <b>NSF:</b> 120            | <b>PTEM1</b>      |                |
| <b>Sheet Description:</b> Interior Room Elevations      | <b>Scale:</b> 1/4" = 1'-0" | Sheet<br><b>4</b> | of<br><b>5</b> |

PTEM1 - EQUIPMENT SCHEDULE

| JSN   | Nomenclature                                    | Qty | LF     | Logistics |    |    |    | Utilities |   |   |   |   |   |
|-------|---|-----|--------|-----------|----|----|----|-----------|---|---|---|---|---|
|       |   |     |        | AR        | NA | AF | VA | 1         | 2 | 3 | 4 | 5 | 6 |
| A1066 | Mirror, Float Glass, With SS Frame              | 1   |        | A         | A  | A  | A  | -         | - | - | - | - | - |
| A5075 | Dispenser, Soap, Disposable                     | 1   |        | C         | C  | C  | C  | -         | - | - | - | - | - |
| A5080 | Dispenser, Paper Towel, SS, Surface Mounted     | 1   |        | A         | A  | A  | A  | -         | - | - | - | - | - |
| A5106 | Waste Disposal Unit, Sharps w/Glove Dispenser   | 1   |        | C         | A  | C  | C  | -         | - | - | - | - | - |
| A5145 | Hook, Garment, Double, SS, Surface Mounted      | 1   |        | A         | A  | A  | A  | -         | - | - | - | - | - |
| A5180 | Track, Cubicle, Surface Mounted, With Curtain   | 1   | 10'-0" | A         | A  | A  | A  | -         | - | - | - | - | - |
| E0945 | Mobile, Workstation                             | 1   |        | -         | -  | -  | -  | -         | - | - | - | - | - |
| F0205 | Chair, Side With Arms                           | 1   |        | C         | C  | C  | C  | -         | - | - | - | - | - |
| F0340 | Stool, Self Adjusting                           | 1   |        | C         | C  | C  | C  | -         | - | - | - | - | - |
| F0355 | Footstool, Straight                             | 1   |        | C         | C  | C  | C  | -         | - | - | - | - | - |
| F2010 | Basket, Wastepaper, Step-On                     | 1   |        | C         | C  | C  | C  | -         | - | - | - | - | - |
| F3200 | Clock, Battery, 12" Diameter                    | 1   |        | C         | C  | C  | C  | -         | - | - | - | - | - |
| M1620 | Holder, Chart, Patient, Wall or Door Mounted    | 1   |        | A         | A  | A  | A  | -         | - | - | - | - | - |
| M1801 | Computer, Microprocessing, w/Flat Panel Monitor | 1   |        | C         | C  | C  | C  | -         | A | - | - | - | - |
| M3070 | Hamper, Linen, Mobile, w/Lid                    | 1   |        | C         | C  | C  | C  | -         | - | - | - | - | - |
| M7725 | Electromyograph                                 | 1   |        | C         | C  | C  | C  | -         | A | - | - | - | - |
| M8300 | Table, Examination/Treatment, Wood              | 1   |        | C         | C  | C  | C  | -         | - | - | - | - | - |
| P3100 | Lavatory, Vitreous China, Slab Type             | 1   |        | A         | A  | A  | A  | D         | - | - | - | - | - |

PTEM1 - DATA/TELEPHONE EQUIPMENT

| JSN   | Nomenclature                                  | Qty | Logistics |    |    |    |
|-------|---|-----|-----------|----|----|----|
|       |   |     | AR        | NA | AF | VA |
| A1010 | Telecommunication Outlet                      | 2   | A         | A  | A  | A  |
| A1014 | Telephone, Wall Mounted, 1 Line, with Speaker | 1   | A         | A  | A  | A  |

|   |                 |                   |                |
|---|-----------------|-------------------|----------------|
| <b>Room Description:</b> Electromyography (EMG) (PTEM1) | <b>NSF:</b> 120 | <b>PTEM1</b>      |                |
| <b>Sheet Description:</b> Equipment Schedule            | <b>Scale:</b>   | Sheet<br><b>5</b> | of<br><b>5</b> |