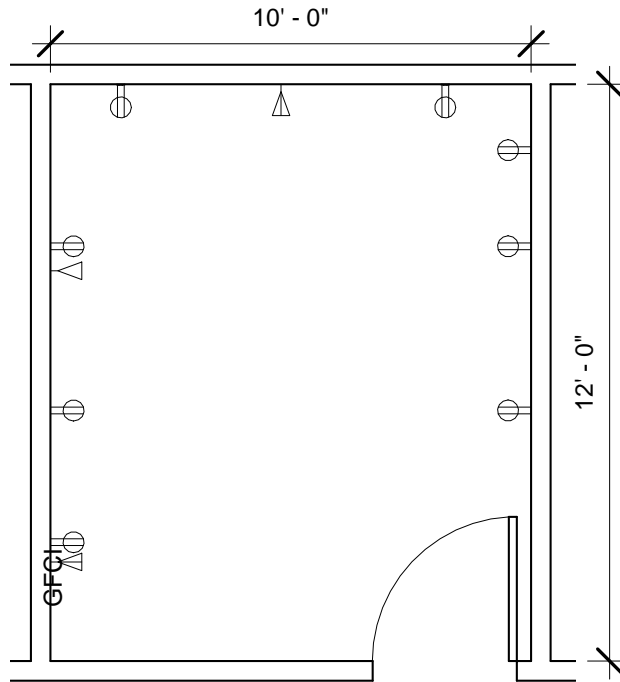
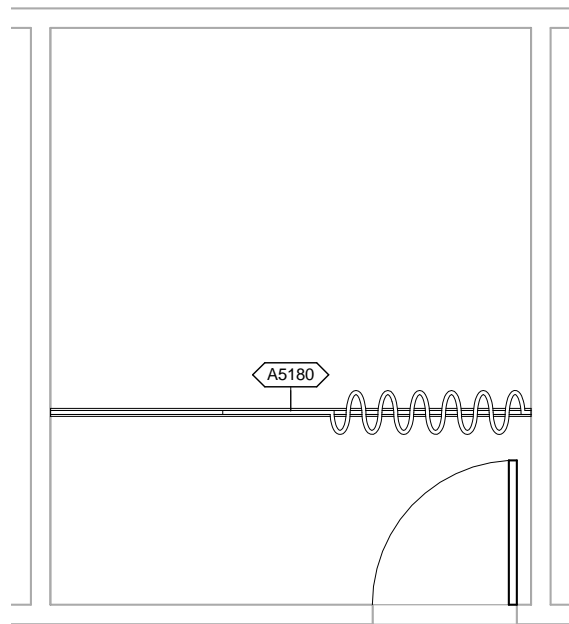


Room Description: Office, Provider, Private (OFD01)	NSF: 120	OFD01	
Sheet Description: Room/Equipment Isometric	Scale:	Sheet 1	of 5

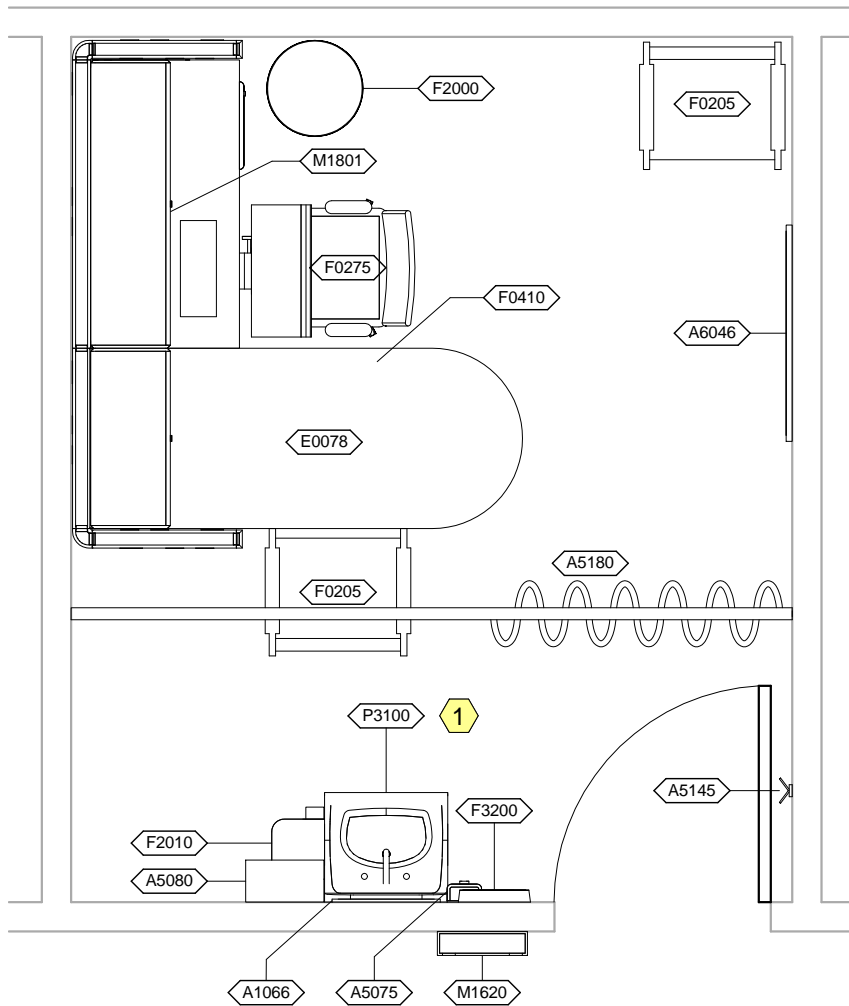


OFD01 - FLOOR PLAN



OFD01 - CEILING MOUNTED EQUIPMENT PLAN

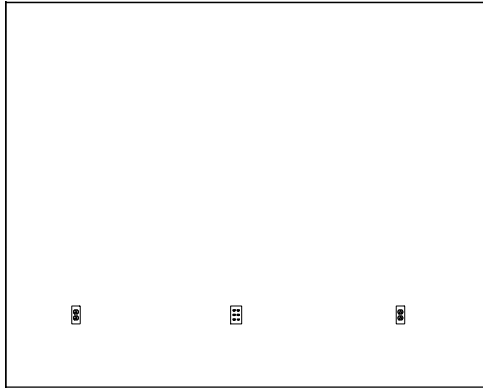
Room Description: Office, Provider, Private (OFD01)	NSF: 120	OFD01	
Sheet Description: Floor & Ceiling Mounted Equipment Plans	Scale: 1/4" = 1'-0"	Sheet 2	of 5



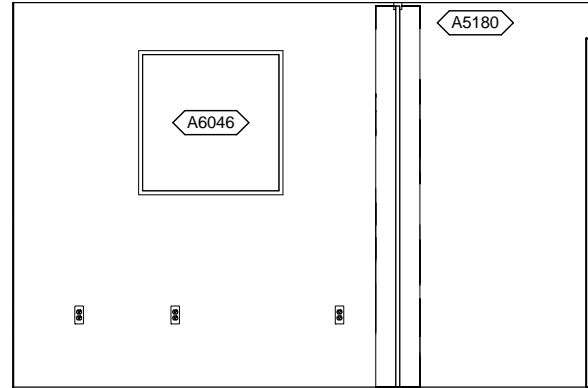
OFD01 - NOTES

- 1 JSN P8710, Utility Center, shall be included in Navy projects only.

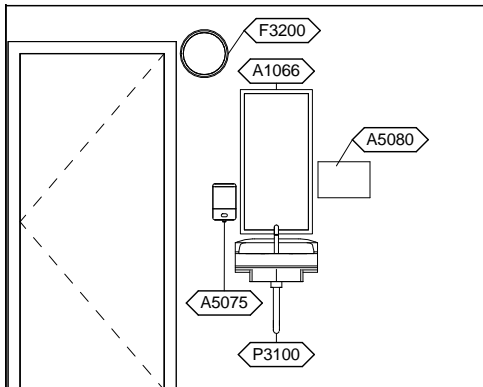
Room Description: Office, Provider, Private (OFD01)	NSF: 120	OFD01	
Sheet Description: Equipment Plan	Scale: 3/8" = 1'-0"	Sheet 3	of 5



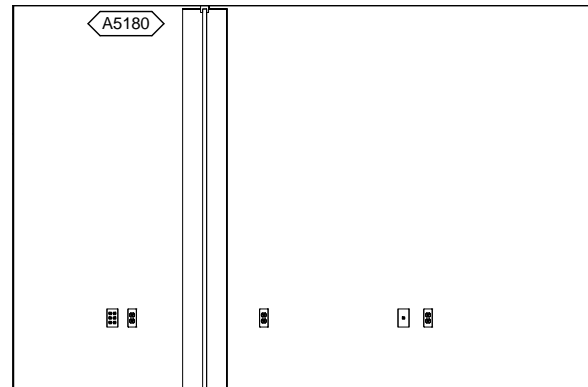
OFD01 - NORTH ELEVATION



OFD01 - EAST ELEVATION



OFD01 - SOUTH ELEVATION



OFD01 - WEST ELEVATION

Room Description: Office, Provider, Private (OFD01)	NSF: 120	<h1>OFD01</h1>	
Sheet Description: Interior Room Elevations	Scale: 1/4" = 1'-0"	Sheet <h2>4</h2>	of <h2>5</h2>

OFD01 - EQUIPMENT SCHEDULE

JSN	Nomenclature	Qty	LF	AR	Logistics			Utilities						
					NA	AF	VA	1	2	3	4	5	6	
A1066	Mirror, Float Glass, With SS Frame	1		A	A	A	A	-	-	-	-	-	-	-
A5075	Dispenser, Soap, Disposable	1		C	C	C	C	-	-	-	-	-	-	-
A5080	Dispenser, Paper Towel, SS, Surface Mounted	1		A	A	A	A	-	-	-	-	-	-	-
A5145	Hook, Garment, Double, SS, Surface Mounted	1		A	A	A	A	-	-	-	-	-	-	-
A5180	Track, Cubicle, Surface Mounted, With Curtain	1	10'-0"	A	A	A	A	-	-	-	-	-	-	-
A6046	Artwork, Decorative, With Frame	1		C	C	C	C	-	-	-	-	-	-	-
E0078	Workstation, L-Shaped w/Peninsula, Free Std, 78x72	1		C	C	C	C	-	A	-	-	-	-	-
F0205	Chair, Side With Arms	2		C	C	C	C	-	-	-	-	-	-	-
F0275	Chair, Swivel, High Back	1		C	C	C	C	-	-	-	-	-	-	-
F0410	Cabinet, Filing, Half Height, 2 Drawer	1		C	C	C	C	-	-	-	-	-	-	-
F2000	Basket, Wastepaper, Round, Metal	1		C	C	C	C	-	-	-	-	-	-	-
F2010	Basket, Wastepaper, Step-On	1		C	C	C	C	-	-	-	-	-	-	-
F3200	Clock, Battery, 12" Diameter	1		C	C	C	C	-	-	-	-	-	-	-
M1620	Holder, Chart, Patient, Wall or Door Mounted	1		A	A	A	A	-	-	-	-	-	-	-
M1801	Computer, Microprocessing, w/Flat Panel Monitor	1		C	C	C	C	-	A	-	-	-	-	-
P3100	Lavatory, Vitreous China, Slab Type	1		A	A	A	A	D	-	-	-	-	-	-

OFD01 - DATA/TELEPHONE EQUIPMENT

JSN	Nomenclature	Qty	AR	Logistics		
				NA	AF	VA
A1010	Telecommunication Outlet	2	A	A	A	A
A1015	Telephone, Desk, Multiple Line	1	A	A	A	A

Room Description: Office, Provider, Private (OFD01)	NSF: 120	OFD01	
Sheet Description: Equipment Schedule	Scale:	Sheet 5	of 5