

Room Description: Eye Lane, Electronic (EYEL2)

NSF: 120

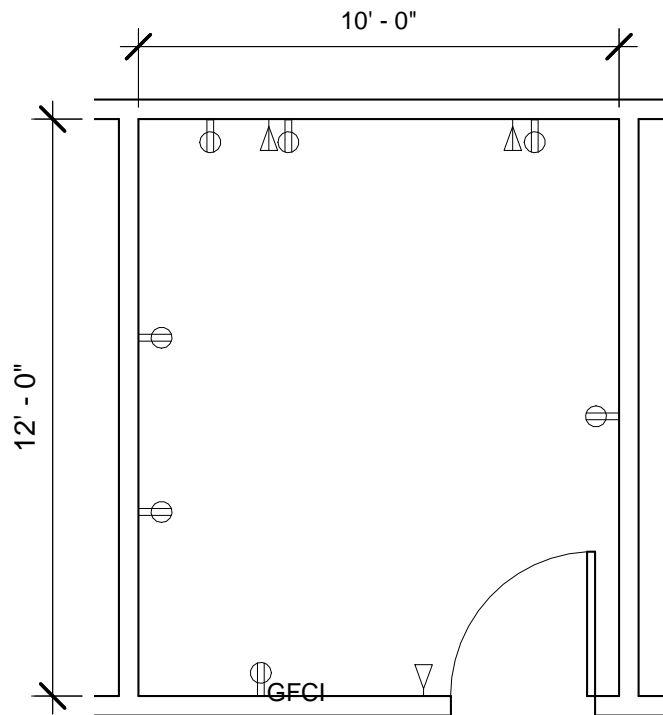
EYEL2

Sheet Description: Room/Equipment Isometric

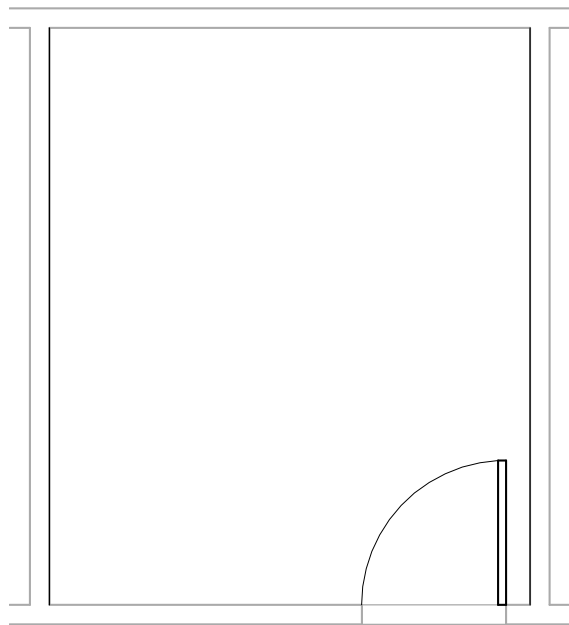
Scale:

Sheet
1

of
5

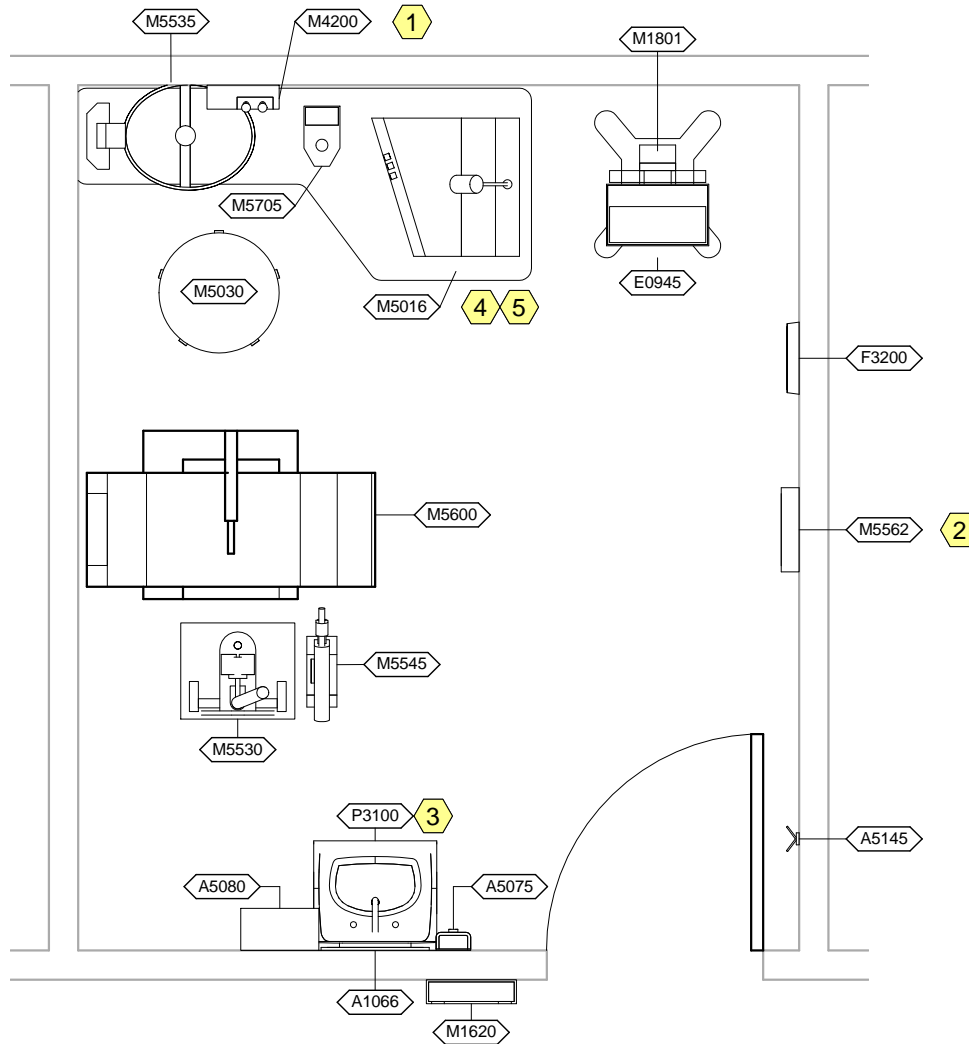


EYEL2 - FLOOR PLAN



EYEL2 - CEILING MOUNTED EQUIPMENT PLAN

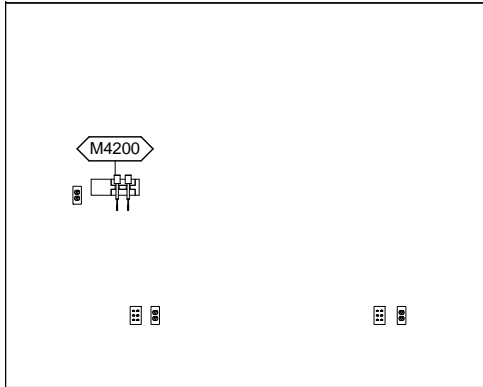
Room Description: Eye Lane, Electronic (EYEL2)	NSF: 120	EYEL2	
Sheet Description: Floor & Ceiling Mounted Equipment Plans	Scale: 1/4" = 1'-0"	Sheet 2	of 5



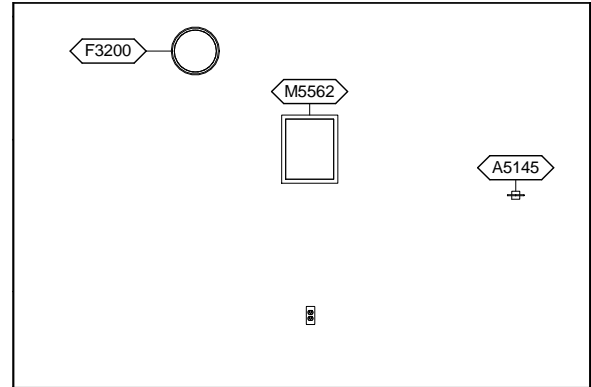
EYEL2 - NOTES

- 1 JSN M4200, Otoscope/Ophthalmoscope, is optional.
- 2 The acceptable range from JSN M5600, Chair, to JSN M5562, Visual Acuity Tester, is 6'-0" to 31'-0".
- 3 JSN P8710, Utility Center, shall be included in Navy projects only.
- 4 If equipment pole is mounted on the JSN M5016, Refraction Desk, instead of beside JSN M5600, Chair, JSN M5016, Refraction Desk, may need to be relocated and there will be no need for a motorized instrument stand (which might be incorporated into Chair package. This information would need to be considered if purchasing chair package). Validate instrument pole inclusion/exclusion into Refraction Desk procurement.
- 5 Dimming controls shall be wall mounted convenient to but not conflicting with JSN M5016, Refraction Desk.

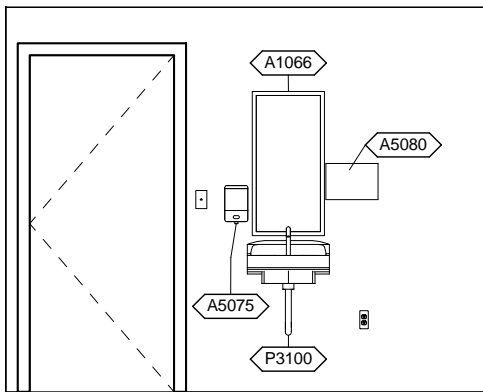
Room Description: Eye Lane, Electronic (EYEL2)	NSF: 120	EYEL2	
Sheet Description: Equipment Plan	Scale: 3/8" = 1'-0"	Sheet 3	of 5



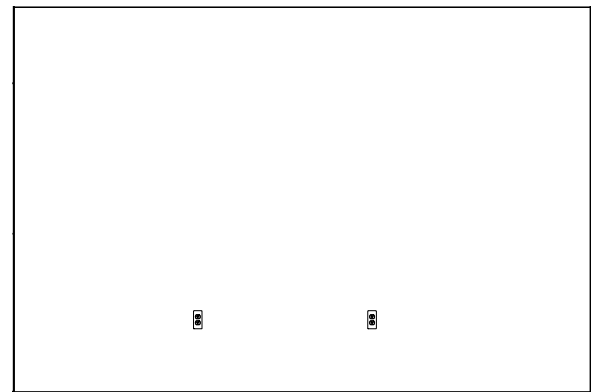
EYEL2 - NORTH ELEVATION



EYEL2 - EAST ELEVATION



EYEL2 - SOUTH ELEVATION



EYEL2 - WEST ELEVATION

Room Description: Eye Lane, Electronic (EYEL2)

NSF: 120

EYEL2

Sheet Description: Interior Room Elevations

Scale: 1/4" = 1'-0"

Sheet

4

of

5

EYEL2 - EQUIPMENT SCHEDULE

JSN	Nomenclature	Qty	LF	AR	Logistics			Utilities					
					NA	AF	VA	1	2	3	4	5	6
A1066	Mirror, Float Glass, With SS Frame	1		A	A	A	A	-	-	-	-	-	-
A5075	Dispenser, Soap, Disposable	1		C	C	C	C	-	-	-	-	-	-
A5080	Dispenser, Paper Towel, SS, Surface Mounted	1		A	A	A	A	-	-	-	-	-	-
A5145	Hook, Garment, Double, SS, Surface Mounted	1		A	A	A	A	-	-	-	-	-	-
E0945	Mobile, Workstation	1		-	-	-	-	-	-	-	-	-	-
F3200	Clock, Battery, 12" Diameter	1		C	C	C	C	-	-	-	-	-	-
M1620	Holder, Chart, Patient, Wall or Door Mounted	1		A	A	A	A	-	-	-	-	-	-
M1801	Computer, Microprocessing, w/Flat Panel Monitor	1		C	C	C	C	-	A	-	-	-	-
M4200	Otoscope/Ophthalmoscope, Wall Mounted	1		C	C	-	C	-	A	-	-	-	-
M5016	Desk, Refraction w/console, w/o Sink	1		A	E	A	A	-	F	-	-	-	-
M5030	Stool, Surgeon, Revolving	1		C	C	C	C	-	-	-	-	-	-
M5530	Lamp, Slit, w/Applanation Tonometer	1		C	C	C	C	-	A	-	-	-	-
M5535	Ophthalmoscope, Binocular, Indirect	1		C	C	C	C	-	A	-	-	-	-
M5545	Ophthalmometer/Keratometer	1		C	C	C	C	-	A	-	-	-	-
M5562	Tester, Visual Acuity, Video/Microprocessor Based	1		C	C	C	C	-	A	-	-	-	-
M5600	Unit, Exam, Eye, w/Motor Chair, Phoropter	1		C	C	C	C	-	A	-	-	-	-
M5705	Gauge, Distance, Pupillary	1		C	C	C	C	-	-	-	-	-	-
P3100	Lavatory, Vitreous China, Slab Type	1		A	A	A	A	D	-	-	-	-	-

EYEL2 - DATA/TELEPHONE EQUIPMENT

JSN	Nomenclature	Qty	AR	Logistics		
				NA	AF	VA
A1010	Telecommunication Outlet	2	A	A	A	A
A1014	Telephone, Wall Mounted, 1 Line, with Speaker	1	A	A	A	A

Room Description: Eye Lane, Electronic (EYEL2)	NSF: 120	EYEL2	
Sheet Description: Equipment Schedule	Scale:	Sheet 5	of 5