



Room Exam, Urodynamics (EXUD1)
Description: Toilet, Unisex (TLTU1)

NSF: 180
60

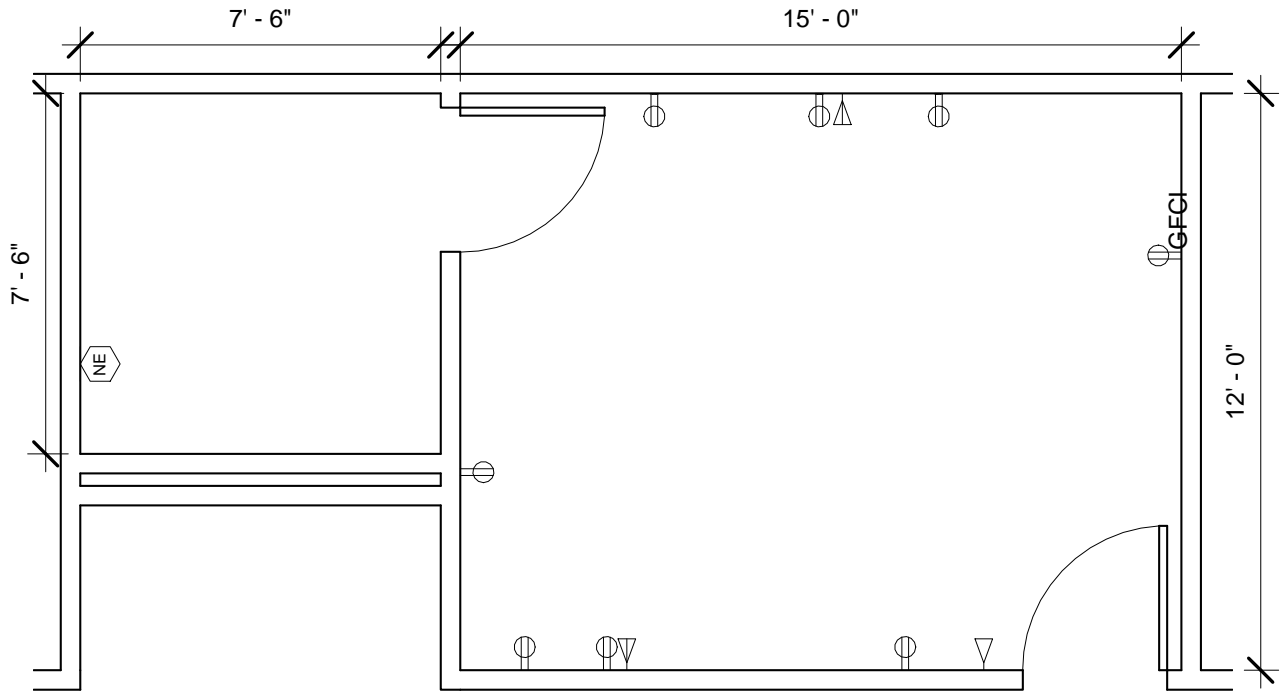
EXUD1/TLTU1

Sheet
Description: Room/Equipment Isometric

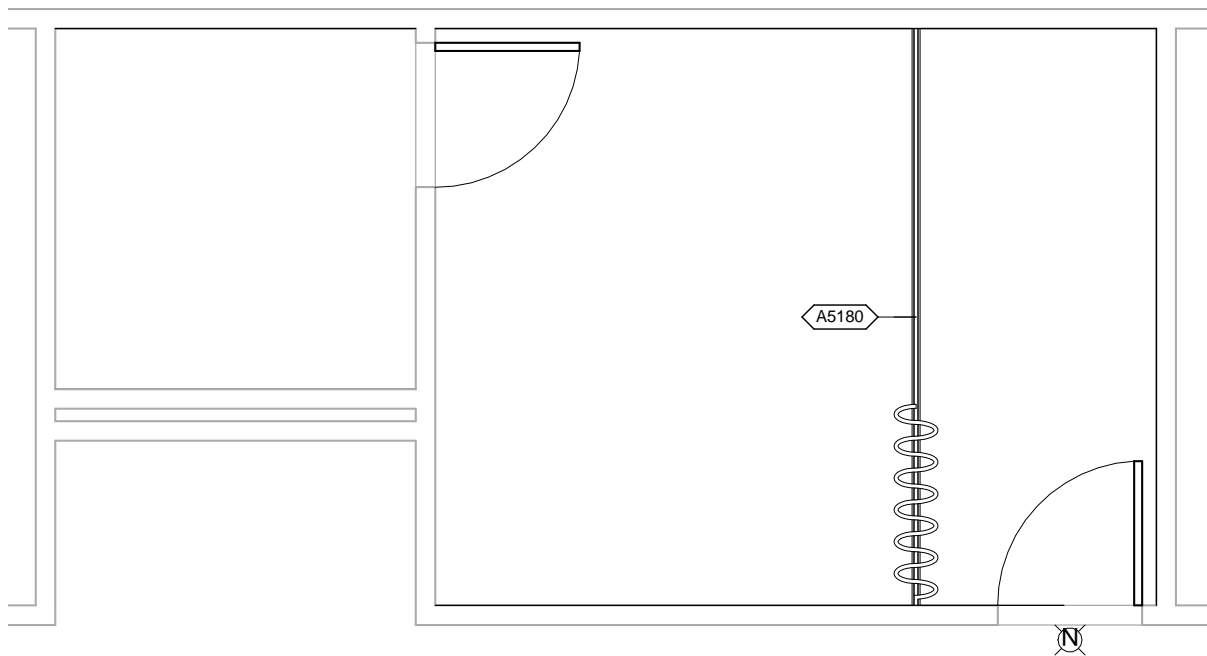
Scale:

Sheet
1

of
7

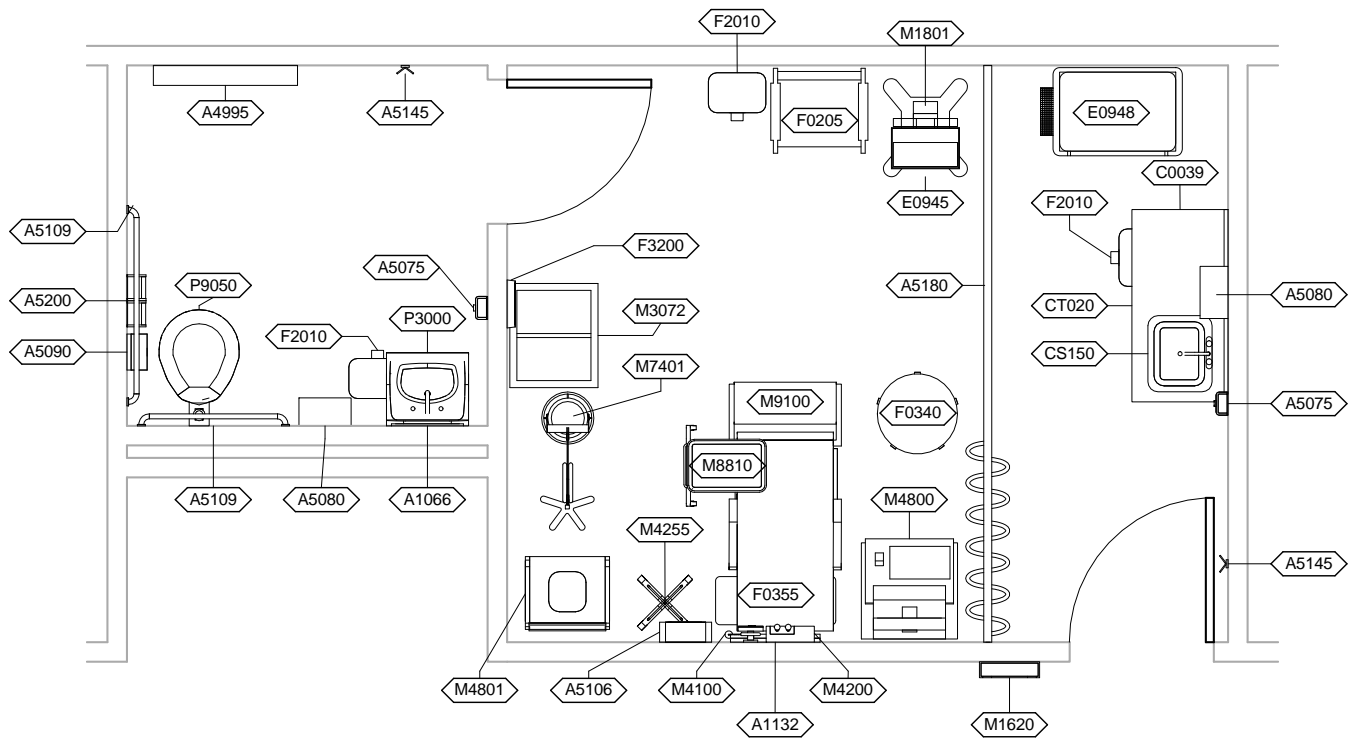


EXUD1 - FLOOR PLAN



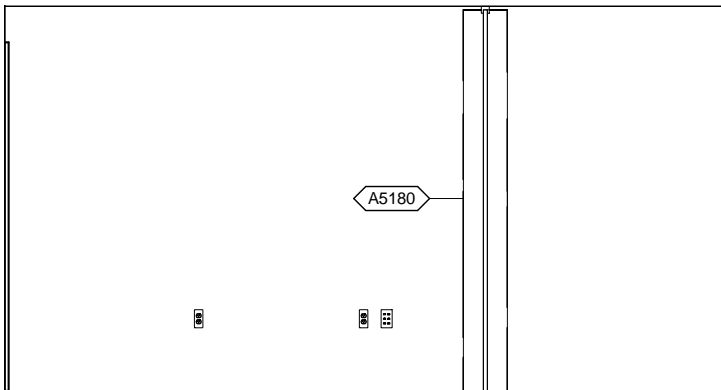
EXUD1 - CEILING MOUNTED EQUIPMENT PLAN

Room Exam, Urodynamics (EXUD1) Description: Toilet, Unisex (TLTU1)	NSF: 180 60	EXUD1/TLTU1	
Sheet Description: Floor & Ceiling Mounted Equipment Plans	Scale: 1/4" = 1'-0"	Sheet 2	of 7

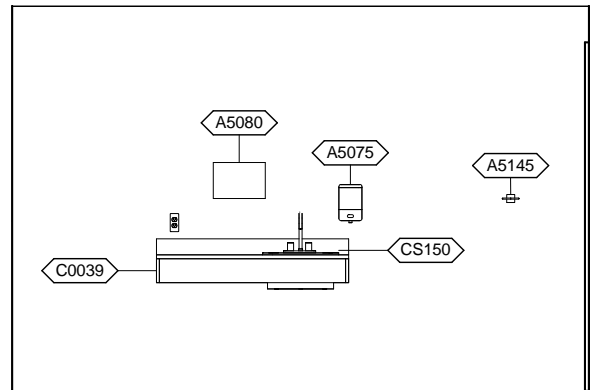


EXUD1/TLTU1 - NOTES

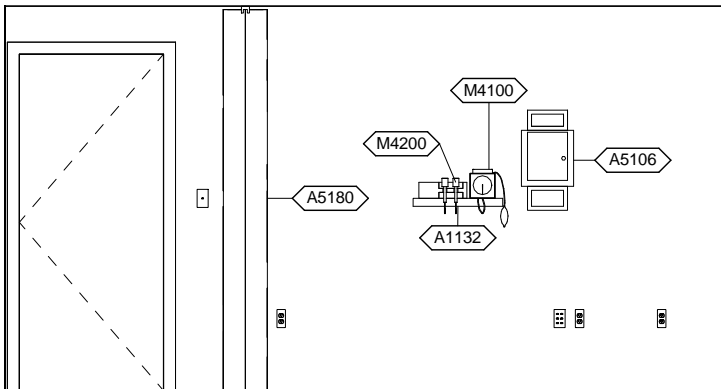
Room Exam, Urodynamics (EXUD1) Description: Toilet, Unisex (TLTU1)	NSF: 180 60	EXUD1/TLTU1	
Sheet Description: Equipment Plan	Scale: 1/4" = 1'-0"	Sheet 3	of 7



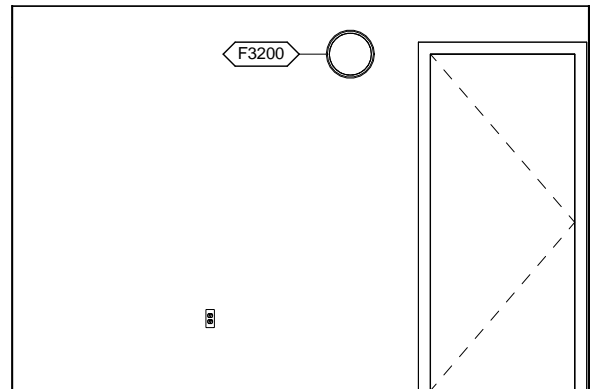
EXUD1 - NORTH ELEVATION



EXUD1 - EAST ELEVATION



EXUD1 - SOUTH ELEVATION



EXUD1 - WEST ELEVATION

Room Exam, Urodynamics (EXUD1)
Description: Toilet, Unisex (TLTU1)

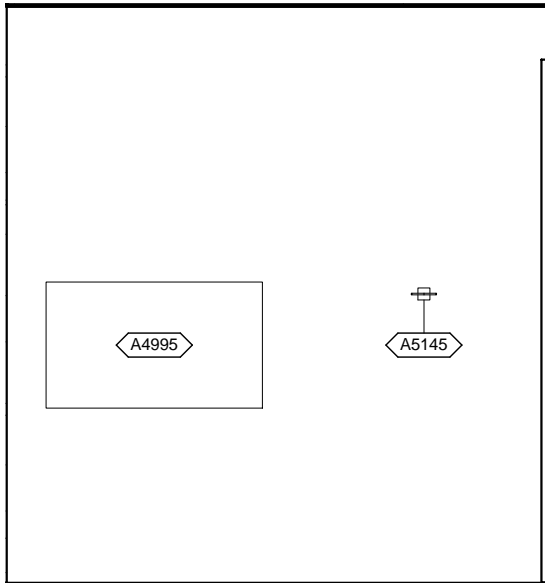
NSF: 180
60

EXUD1/TLTU1

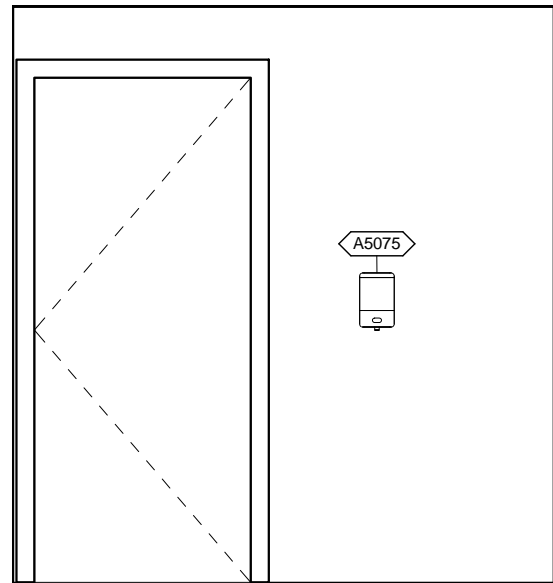
Sheet
Description: Interior Room Elevations

Scale: 1/4" = 1'-0"

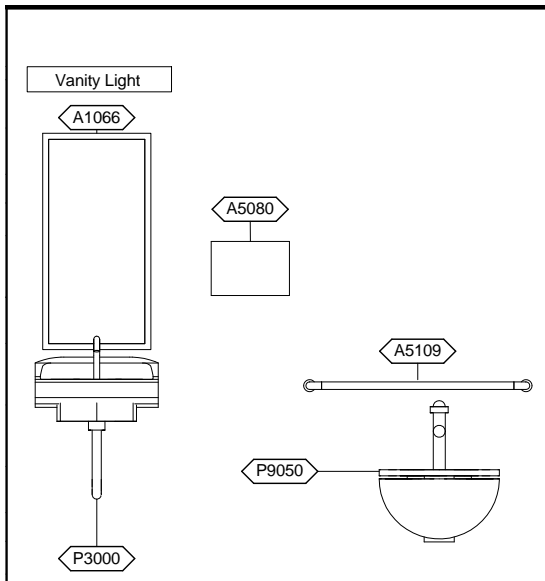
Sheet **4** of **7**



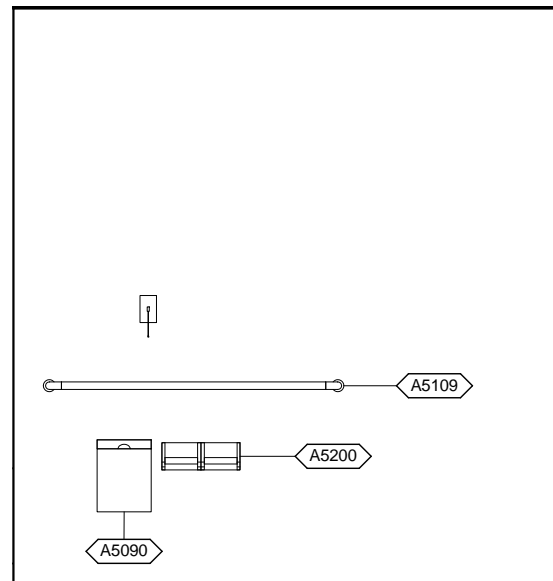
TLTU1 - NORTH ELEVATION



TLTU1 - EAST ELEVATION



TLTU1 - SOUTH ELEVATION



TLTU1 - WEST ELEVATION

Room Exam, Urodynamics (EXUD1)
Description: Toilet, Unisex (TLTU1)

NSF: 180
 60

EXUD1/TLTU1

Sheet
Description: Interior Room Elevations

Scale: 3/8" = 1'-0"

Sheet **5** of **7**

EXUD1 - EQUIPMENT SCHEDULE

JSN	Nomenclature	Qty	LF	Logistics				Utilities					
				AR	NA	AF	VA	1	2	3	4	5	6
A1132	Rail, Accessory Mounting, Length As Required	1	2'-0"	C	C	C	C	-	-	-	-	-	-
A5075	Dispenser, Soap, Disposable	1		C	C	C	C	-	-	-	-	-	-
A5080	Dispenser, Paper Towel, SS, Surface Mounted	1		A	A	A	A	-	-	-	-	-	-
A5106	Waste Disposal Unit, Sharps w/Glove Dispenser	1		C	A	C	C	-	-	-	-	-	-
A5145	Hook, Garment, Double, SS, Surface Mounted	1		A	A	A	A	-	-	-	-	-	-
A5180	Track, Cubicle, Surface Mounted, With Curtain	1	12'-0"	A	A	A	A	-	-	-	-	-	-
C0039	Rail, Apron, 4x48x1	1		A	A	A	A	-	-	-	-	-	-
CS150	Sink, SS, Single Compartment, 10x19x16 ID	1		A	A	A	A	D	-	-	-	-	-
CT020	Countertop, Solid Surface	1	4'-0"	A	A	A	A	-	-	-	-	-	-
E0945	Mobile, Workstation	1		-	-	-	-	-	-	-	-	-	-
E0948	Cart, General Storage, Mobile, 42"H x 32"W x 22"D	1		C	C	C	C	-	-	-	-	-	-
F0205	Chair, Side With Arms	1		C	C	C	C	-	-	-	-	-	-
F0340	Stool, Self Adjusting	1		C	C	C	C	-	-	-	-	-	-
F0355	Footstool, Straight	1		C	C	C	C	-	-	-	-	-	-
F2010	Basket, Wastepaper, Step-On	2		C	C	C	C	-	-	-	-	-	-
F3200	Clock, Battery, 12" Diameter	1		C	C	C	C	-	-	-	-	-	-
M1620	Holder, Chart, Patient, Wall or Door Mounted	1		A	A	A	A	-	-	-	-	-	-
M1801	Computer, Microprocessing, w/Flat Panel Monitor	1		C	C	C	C	-	A	-	-	-	-
M3072	Frame, Infectious Waste Bag w/Lid	1		C	C	C	C	-	-	-	-	-	-
M4100	Sphygmomanometer, Aneroid, Wall Mounted	1		C	C	C	C	-	-	-	-	-	-
M4200	Otoscope/Ophthalmoscope, Wall Mounted	1		C	C	-	C	-	A	-	-	-	-
M4255	Stand, IV, Adjustable	1		C	C	C	C	-	-	-	-	-	-
M4800	Urodynamic Measurement System w/Video	1		C	C	C	C	-	A	-	-	-	-
M4801	Commode Chair	1		C	C	C	C	-	-	-	-	-	-
M7401	Light, Exam, Mobile, Spotlight, Mobile Stand	1		C	C	C	-	-	A	-	-	-	-
M8810	Stand, Mayo	1		C	C	C	C	-	-	-	-	-	-
M9100	Table, Procedure, Urological	1		C	C	C	C	-	A	-	-	-	-

Room Exam, Urodynamics (EXUD1) Description: Toilet, Unisex (TLTU1)	NSF: 180 60	EXUD1/TLTU1	
Sheet Description: Equipment Schedule	Scale:	Sheet 6	of 7

TLTU1 - EQUIPMENT SCHEDULE

JSN	Nomenclature	Qty	LF	AR	Logistics			Utilities					
					NA	AF	VA	1	2	3	4	5	6
A1066	Mirror, Float Glass, With SS Frame	1		A	A	A	A	-	-	-	-	-	-
A4995	Table, Diaper Changing, Wall Mounted	1		A	A	A	A	-	-	-	-	-	-
A5075	Dispenser, Soap, Disposable	1		C	C	C	C	-	-	-	-	-	-
A5080	Dispenser, Paper Towel, SS, Surface Mounted	1		A	A	A	A	-	-	-	-	-	-
A5090	Disposal, Sanitary Napkin, SS, Surface Mounted	1		A	A	A	A	-	-	-	-	-	-
A5109	Grab Bar, 1-1/4" Dia., SS, 2 Wall, W/C Accessible	2		A	A	A	A	-	-	-	-	-	-
A5145	Hook, Garment, Double, SS, Surface Mounted	1		A	A	A	A	-	-	-	-	-	-
A5200	Dispenser, Toilet Tissue, SS, 2-Roll, Surface Mntd	1		A	A	A	A	-	-	-	-	-	-
F2010	Basket, Wastepaper, Step-On	1		C	C	C	C	-	-	-	-	-	-
P3000	Lavatory, Vitreous China, Straight Back	1		A	A	A	A	D	-	-	-	-	-
P9050	Toilet, Wall Hung, Siphon Jet	1		A	A	A	A	B	-	-	-	-	-

EXUD1/TLTU1 - DATA/TELEPHONE EQUIPMENT

JSN	Nomenclature	Qty	AR	Logistics		
				NA	AF	VA
A1010	Telecommunication Outlet	2	A	A	A	A
A1014	Telephone, Wall Mounted, 1 Line, with Speaker	1	A	A	A	A

Room Exam, Urodynamics (EXUD1) Description: Toilet, Unisex (TLTU1)	NSF: 180 60	EXUD1/TLTU1	
Sheet Description: Equipment Schedule	Scale:	Sheet 7	of 7