



EXUD1 - INTERIOR DESIGN

Floor Finish		Wall Finish		Ceiling Finish		Room Height	Room Noise		
Preferred	Alternate	Preferred	Alternate	Preferred	Alternate	ft - in	Min NC	Max NC	SC
SV	-	GLG	-	AT2	-	8' - 0"	30	35	45

TLTU1 - INTERIOR DESIGN

Floor Finish		Wall Finish		Ceiling Finish		Room Height	Room Noise		
Preferred	Alternate	Preferred	Alternate	Preferred	Alternate	ft - in	Min NC	Max NC	SC
CT	VT	GPT	CT	GPT	AT1	8' - 0"	35	40	40

EXUD1/TLTU1 - DOOR SCHEDULE

Mark	Type	Count	Height	Width	Notes
			ft - in	ft - in	
A	Single-Flush	2	7' - 0"	3' - 0"	

Room Description: Exam, Urodynamics (EXUD1/TLTU1)

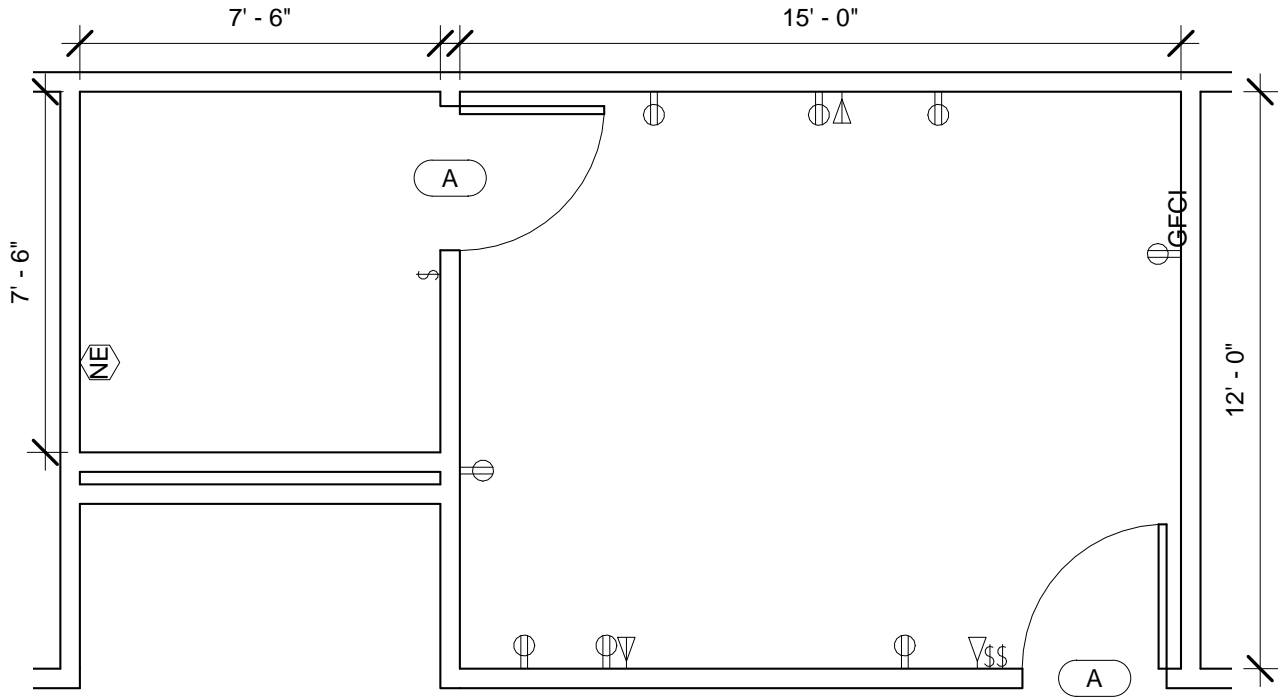
NSF: 180
60

EXUD1/TLTU1

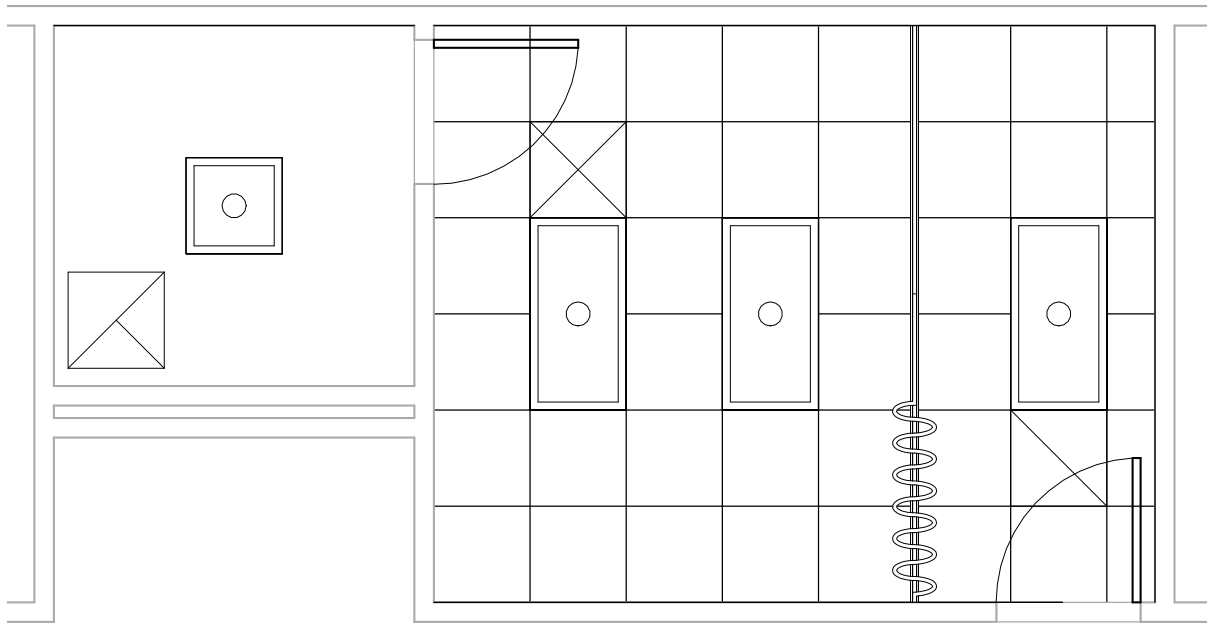
Plate Description: Room/Equipment Isometric

Scale:

Sheet **1** of **7**

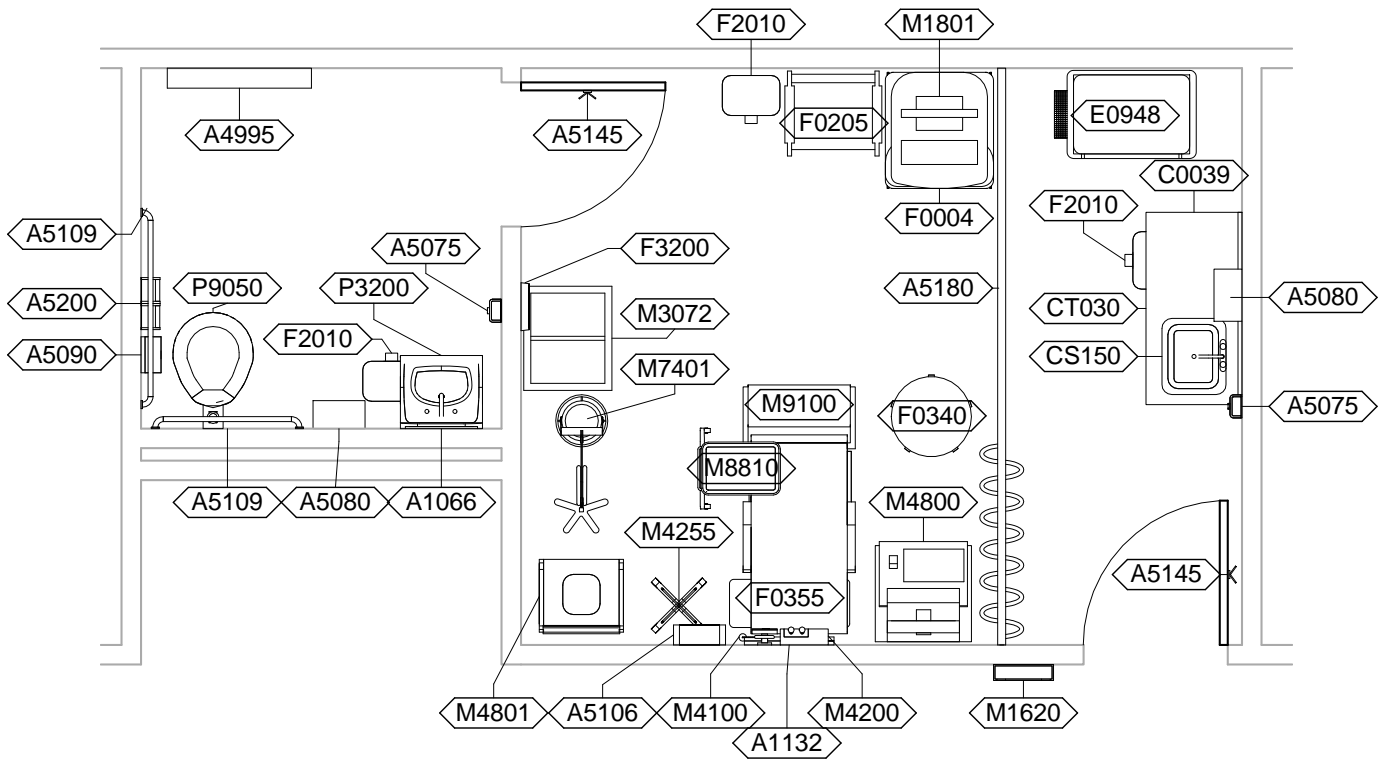


EXUD1 - FLOOR PLAN



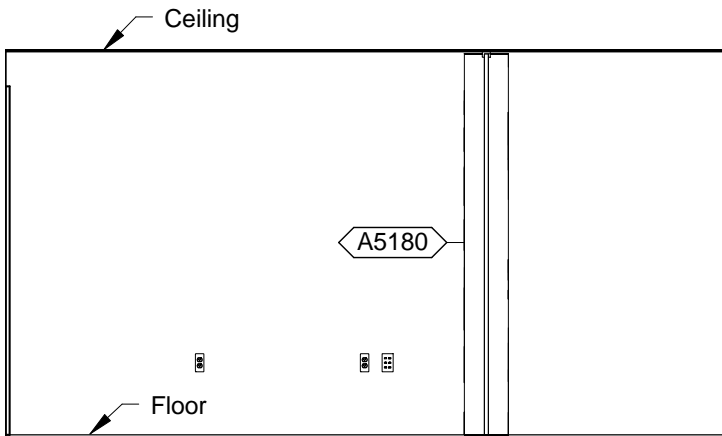
EXUD1 - CEILING PLAN

Room Description: Exam, Urodynamics (EXUD1/TLTU1)	NSF: 180 60	EXUD1/TLTU1	
Plate Description: Floor & Ceiling Plans	Scale: 1/4" = 1'-0"	Sheet 2	of 7

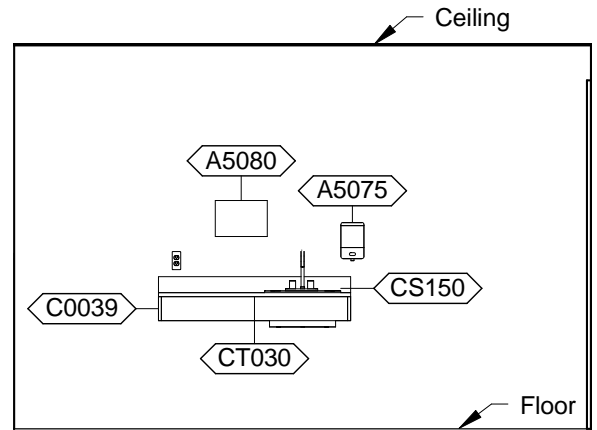


EXUD1/TLTU1 - NOTES

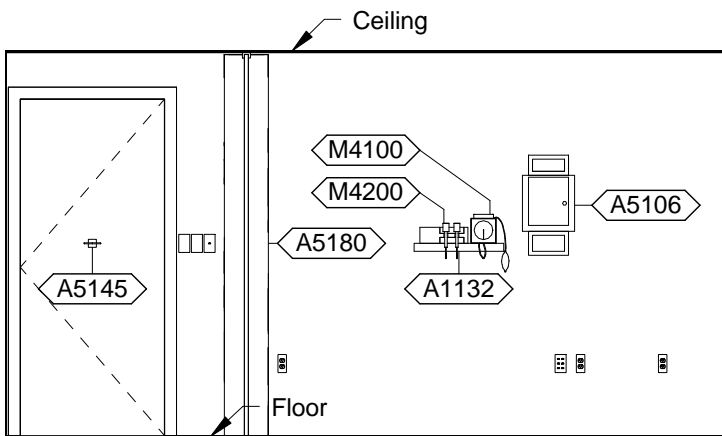
Room Description: Exam, Urodynamics (EXUD1/TLTU1)	NSF: 180 60	EXUD1/TLTU1	
Plate Description: Equipment Plan	Scale: 1/4" = 1'-0"	Sheet 3	of 7



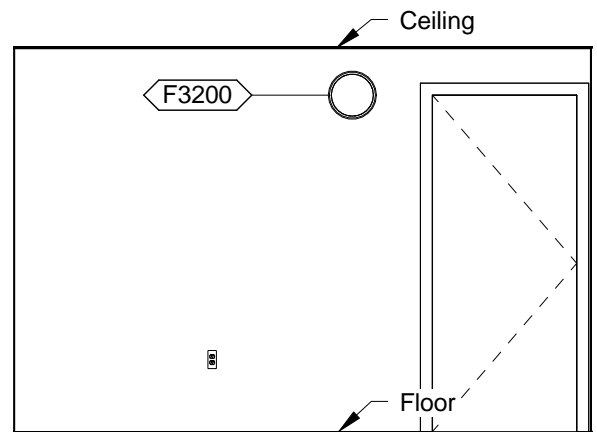
EXUD1 - PLAN NORTH



EXUD1 - PLAN EAST

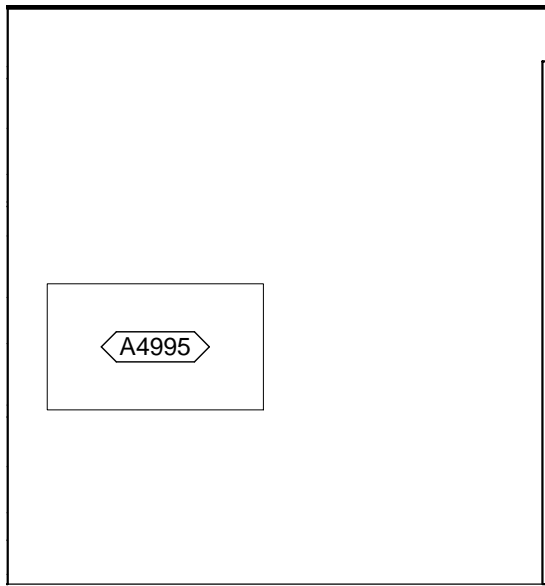


EXUD1 - PLAN SOUTH

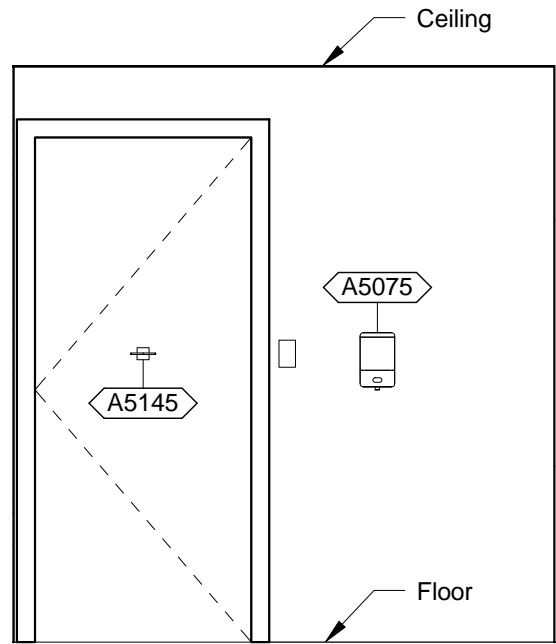


EXUD1 - PLAN WEST

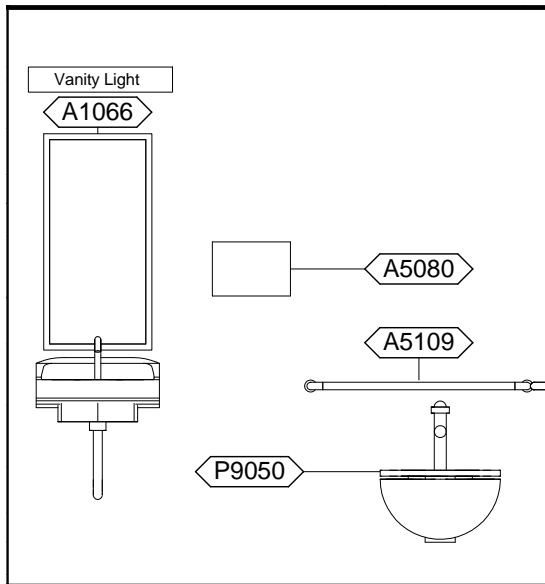
<p>Room Description: Exam, Urodynamics (EXUD1/TLTU1)</p>	<p>NSF: 180 60</p>	<p>EXUD1/TLTU1</p>	
<p>Plate Description: Interior Room Elevations</p>	<p>Scale: 1/4" = 1'-0"</p>	<p>Sheet 4</p>	<p>of 7</p>



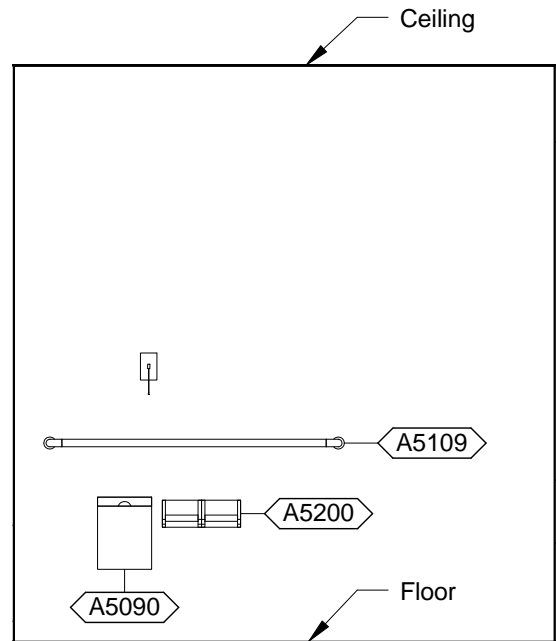
TLTU1 - PLAN NORTH



TLTU1 - PLAN EAST



TLTU1 - PLAN SOUTH



TLTU1 - PLAN WEST

Room Description: Exam, Urodynamics (EXUD1/TLTU1)	NSF: 180 60	EXUD1/TLTU1	
Plate Description: Interior Room Elevations	Scale: 3/8" = 1'-0"	Sheet 5	of 7

EXUD1 - EQUIPMENT SCHEDULE

JSN	Nomenclature	Qty	Logistics					Utilities					
			AR	NA	AF	VA	1	2	3	4	5	6	
A1132	Rail, Accessory Mounting, Length As Required	1	C	C	C	C	-	-	-	-	-	-	
A5075	Dispenser, Soap, Disposable	1	C	C	C	C	-	-	-	-	-	-	
A5080	Dispenser, Paper Towel, SS, Surface Mounted	1	A	A	A	A	-	-	-	-	-	-	
A5106	Waste Disposal Unit, Sharps w/Glove Dispenser	1	C	A	C	C	-	-	-	-	-	-	
A5145	Hook, Garment, Double, SS, Surface Mounted	1	A	A	A	A	-	-	-	-	-	-	
A5180	Track, Cubicle, Surface Mounted, With Curtain	1	A	A	A	A	-	-	-	-	-	-	
C0039	Rail, Apron, 4x48x1	1	A	A	A	A	-	-	-	-	-	-	
CS150	Sink, SS, Single Compartment, 10x19x16 ID	1	A	A	A	A	D	-	-	-	-	-	
CT030	Countertop, High Pressure Laminate	1	A	A	A	A	-	-	-	-	-	-	
E0948	Cart, General Storage, Mobile, 42"H x 32"W x 22"D	1	C	C	C	C	-	-	-	-	-	-	
F0004	Mobile, Workstation	1	C	C	C	C	-	-	-	-	-	-	
F0205	Chair, Side With Arms	1	C	C	C	C	-	-	-	-	-	-	
F0340	Stool, Self Adjusting	1	C	C	C	C	-	-	-	-	-	-	
F0355	Footstool, Straight	1	C	C	C	C	-	-	-	-	-	-	
F2010	Basket, Wastepaper, Step-On	2	C	C	C	C	-	-	-	-	-	-	
F3200	Clock, Battery, 12" Diameter	1	C	C	C	C	-	-	-	-	-	-	
M1620	Holder, Chart, Patient, Wall or Door Mounted	1	A	A	A	A	-	-	-	-	-	-	
M1801	Computer, Microprocessing, w/Flat Panel Monitor	1	C	C	C	C	-	A	-	-	-	-	
M3072	Frame, Infectious Waste Bag w/Lid	1	C	C	C	C	-	-	-	-	-	-	
M4100	Sphygmomanometer, Aneroid, Wall Mounted	1	C	C	C	C	-	-	-	-	-	-	
M4200	Otoscope/Ophthalmoscope, Wall Mounted	1	C	C	-	C	-	A	-	-	-	-	
M4255	Stand, IV, Adjustable	1	C	C	C	C	-	-	-	-	-	-	
M4800	Urodynamic Measurement System w/Video	1	C	C	C	C	-	A	-	-	-	-	
M4801	Commode Chair	1	C	C	C	C	-	-	-	-	-	-	
M7401	Light, Exam, Mobile, Spotlight, Mobile Stand	1	C	C	C	-	-	A	-	-	-	-	
M8810	Stand, Mayo	1	C	C	C	C	-	-	-	-	-	-	
M9100	Table, Procedure, Urological	1	C	C	C	C	-	A	-	-	-	-	

Room Description: Exam, Urodynamics (EXUD1/TLTU1)	NSF: 180 60	EXUD1/TLTU1	
Plate Description: Equipment Schedule	Scale:	Sheet 6	of 7

TLTU1 - EQUIPMENT SCHEDULE

JSN	Nomenclature	Qty	AR	Logistics				Utilities					
				NA	AF	VA	1	2	3	4	5	6	
A1066	Mirror, Float Glass, With SS Frame	1	A	A	A	A	-	-	-	-	-	-	-
A4995	Table, Diaper Changing, Wall Mounted	1	A	A	A	A	-	-	-	-	-	-	-
A5075	Dispenser, Soap, Disposable	1	C	C	C	C	-	-	-	-	-	-	-
A5080	Dispenser, Paper Towel, SS, Surface Mounted	1	A	A	A	A	-	-	-	-	-	-	-
A5090	Disposal, Sanitary Napkin, SS, Surface Mounted	1	A	A	A	A	-	-	-	-	-	-	-
A5109	Grab Bar, 1-1/4" Dia., SS, 2 Wall, W/C Accessible	2	A	A	A	A	-	-	-	-	-	-	-
A5145	Hook, Garment, Double, SS, Surface Mounted	1	A	A	A	A	-	-	-	-	-	-	-
A5200	Dispenser, Toilet Tissue, SS, 2-Roll, Surface Mntd	1	A	A	A	A	-	-	-	-	-	-	-
F2010	Basket, Wastepaper, Step-On	1	C	C	C	C	-	-	-	-	-	-	-
P3200	Lavatory, Vitreous China, Slab Type w/Sens Op Fauc	1	A	A	A	A	D	-	-	-	-	-	-
P9050	Toilet, Wall Hung, Siphon Jet	1	A	A	A	A	B	-	-	-	-	-	-

EXUD1/TLTU1 - DATA/TELEPHONE EQUIPMENT

JSN	Nomenclature	Qty	AR	Logistics		
				NA	AF	VA
A1010	Telecommunication Outlet	2	A	A	A	A
A1014	Telephone, Wall Mounted, 1 Line, with Speaker	1	A	A	A	A

Room Description: Exam, Urodynamics (EXUD1/TLTU1)	NSF: 180 60	EXUD1/TLTU1	
Plate Description: Equipment Schedule	Scale:	Sheet 7	of 7