

EXRG6 - INTERIOR DESIGN

Floor Finish		Wall Finish		Ceiling Finish		Room Height	Room Noise		
Preferred	Alternate	Preferred	Alternate	Preferred	Alternate	ft - in	Min NC	Max NC	SC
SV	VT	GLG	GPT	GLG	GPT	8' - 0"	25	30	45

TLTU1 - INTERIOR DESIGN

Floor Finish		Wall Finish		Ceiling Finish		Room Height	Room Noise		
Preferred	Alternate	Preferred	Alternate	Preferred	Alternate	ft - in	Min NC	Max NC	SC
CT	VT	GPT	CT	GPT	AT1	8' - 0"	35	40	40

EXRG6/TLTU1 - DOOR SCHEDULE

Mark	Type	Count	Height	Width	Notes
			ft - in	ft - in	
A	Single-Flush	2	7' - 0"	3' - 0"	

**Room Description:** Exam, Isolation, Negative Pressure (EXRG6/TLTU1)

**NSF:** 180  
60

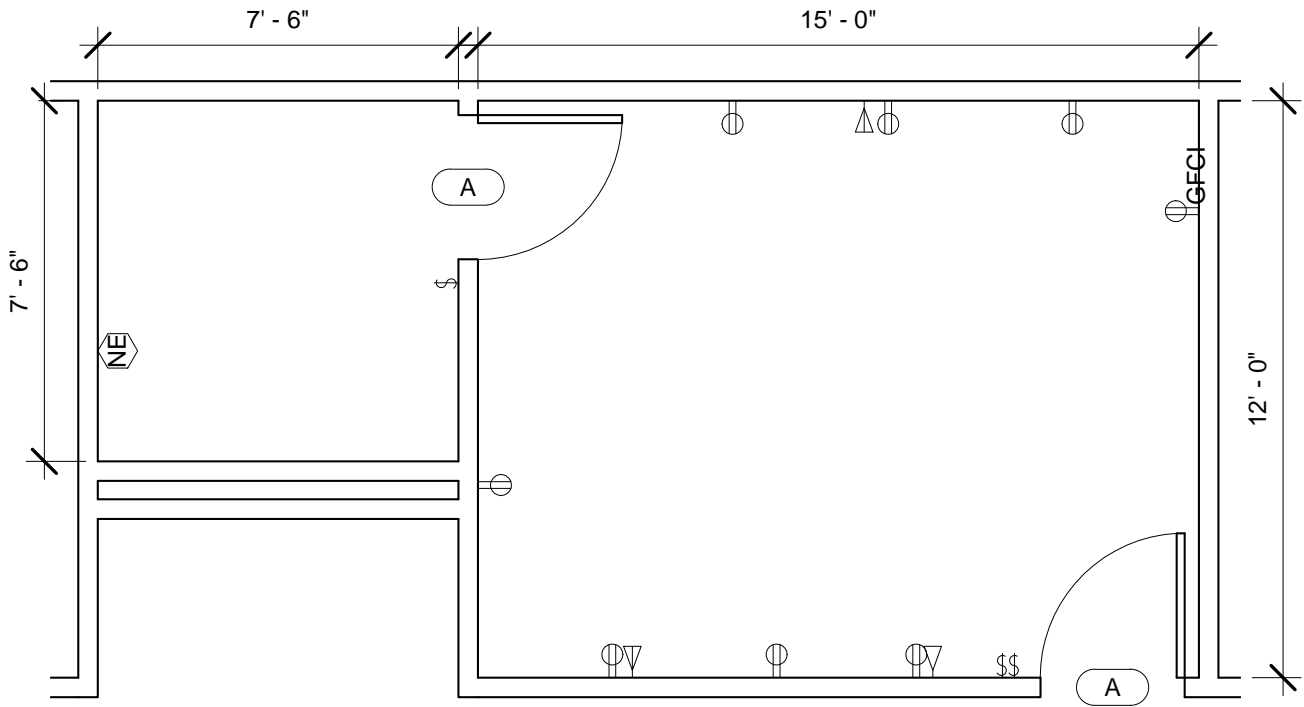
**EXRG6/TLTU1**

**Plate Description:** Room/Equipment Isometric

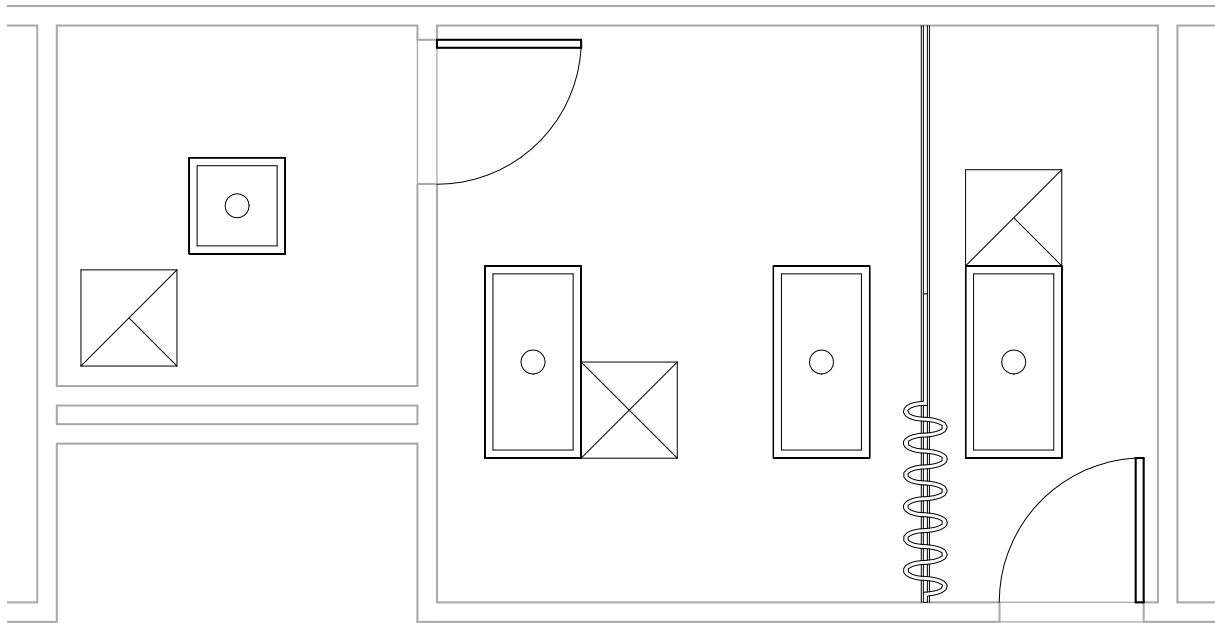
**Scale:**

Sheet  
**1**

of  
**6**

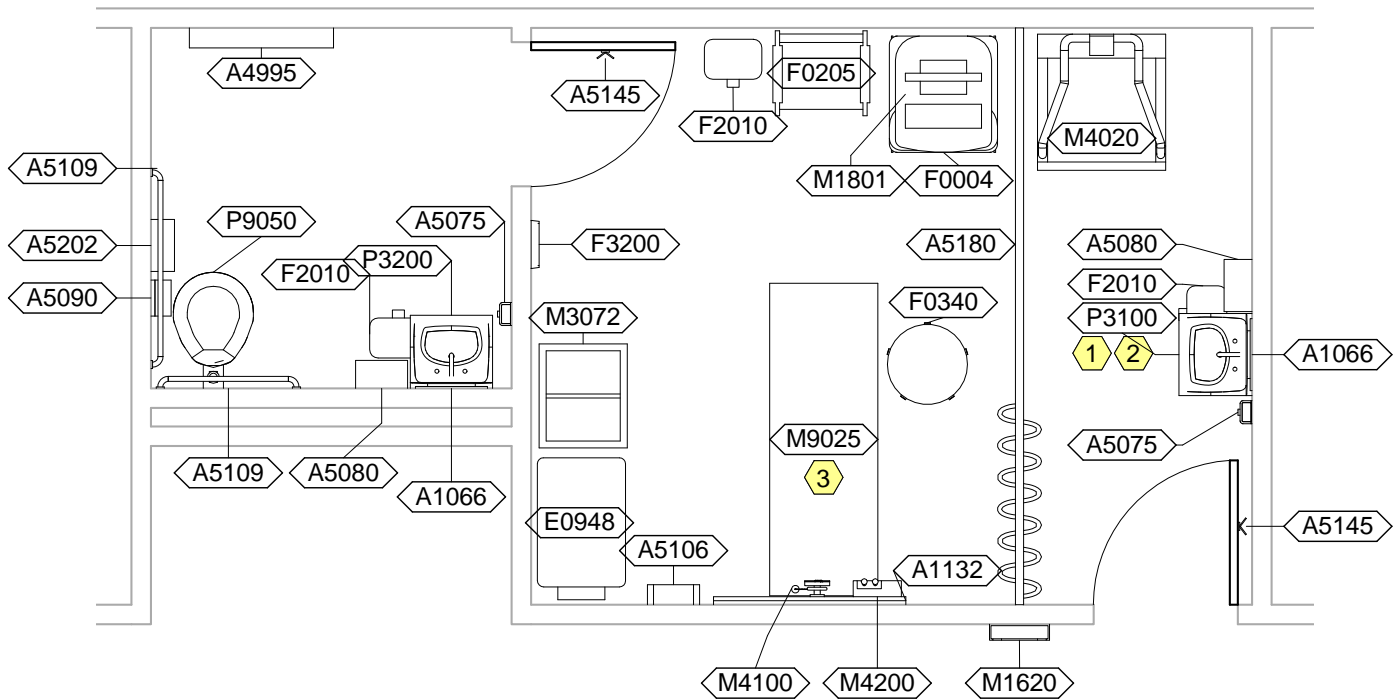


EXRG6/TLTU1 - FLOOR PLAN



EXRG6/TLTU1 - CEILING PLAN

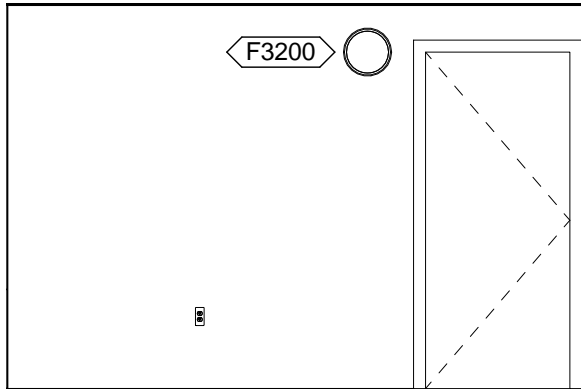
<b>Room Description:</b> Exam, Isolation, Negative Pressure (EXRG6/TLTU1)	<b>NSF:</b> 180 60	<b>EXRG6/TLTU1</b>	
<b>Plate Description:</b> Floor & Ceiling Plans	<b>Scale:</b> 1/4" = 1'-0"	Sheet <b>2</b>	of <b>6</b>



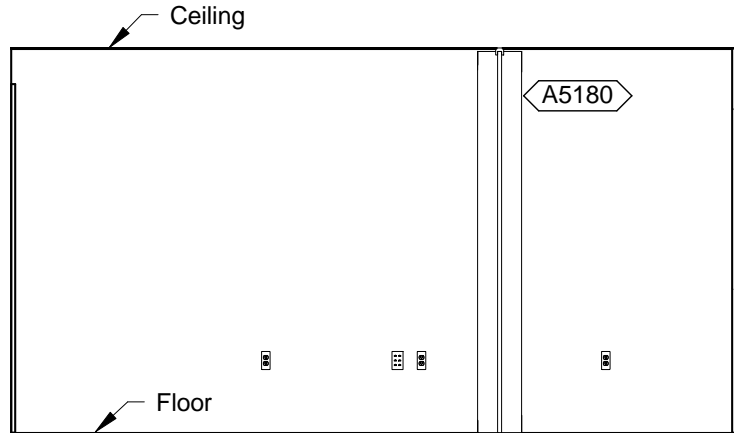
EXRG6/TLTU1 - NOTES

- 1 JSN P3200, Lavatory Electronic, may be used instead of JSN P3100, Lavatory. For the JSN P3200, Lavatory Electronic, provide either battery power or hard wired connection.
- 2 JSN P8710, Utility Center, shall be included in Navy projects only.
- 3 In Pediatric applications use, JSN M9020, Table Exam Peds with Scale.

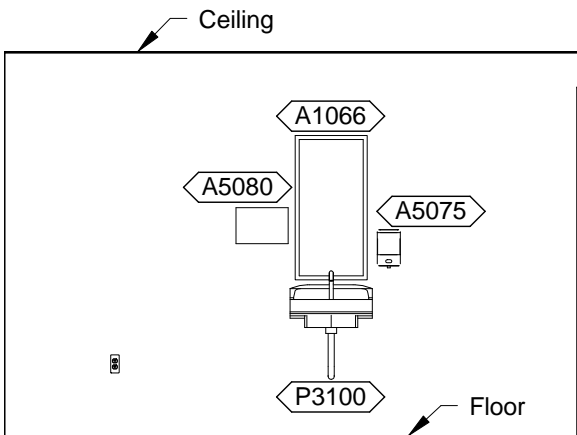
<b>Room Description:</b> Exam, Isolation, Negative Pressure (EXRG6/TLTU1)	<b>NSF:</b> 180 60	<b>EXRG6/TLTU1</b>	
<b>Plate Description:</b> Equipment Plan	<b>Scale:</b> 1/4" = 1'-0"	Sheet <b>3</b>	of <b>6</b>



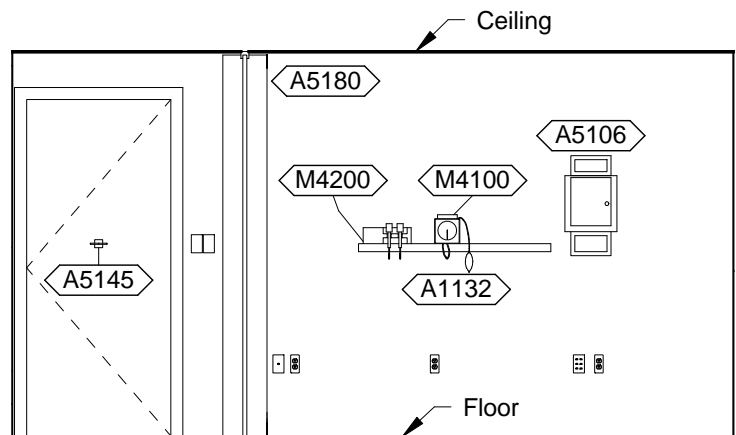
EXRG6 - PLAN WEST



EXRG6 - PLAN NORTH

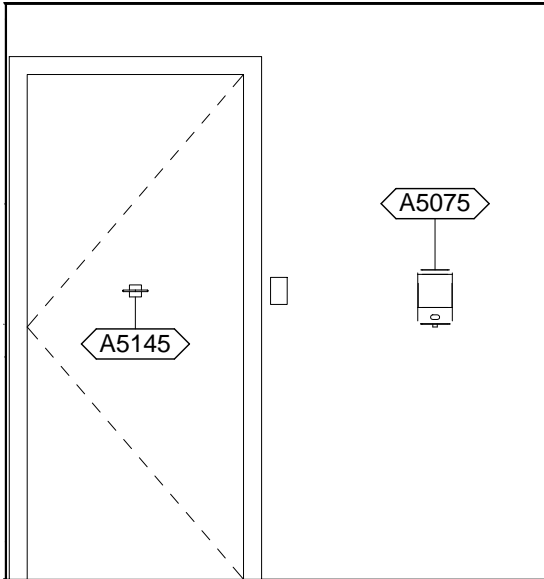


EXRG6 - PLAN EAST

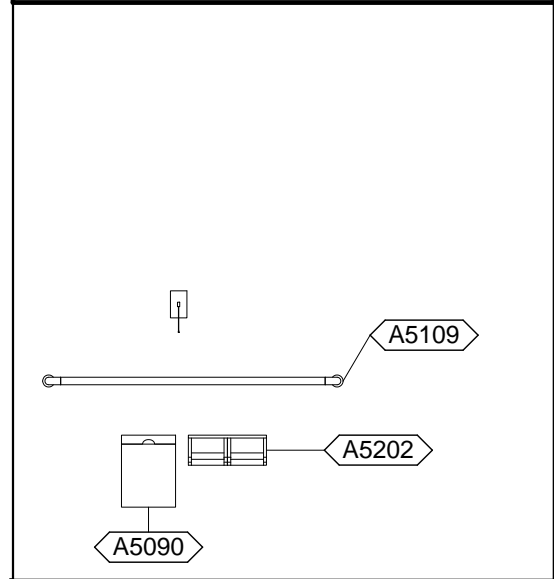


EXRG6 - PLAN SOUTH

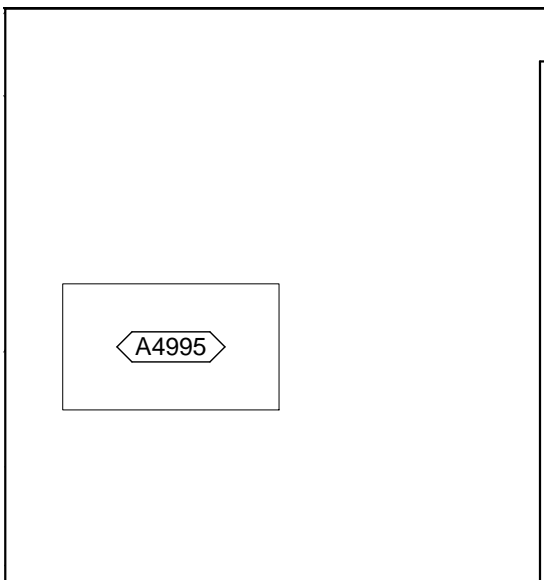
<b>Room Description:</b> Exam, Isolation, Negative Pressure (EXRG6/TLTU1)	<b>NSF:</b> 180 60	<b>EXRG6/TLTU1</b>	
<b>Plate Description:</b> Interior Room Elevations	<b>Scale:</b> 1/4" = 1'-0"	Sheet <b>4</b>	of <b>6</b>



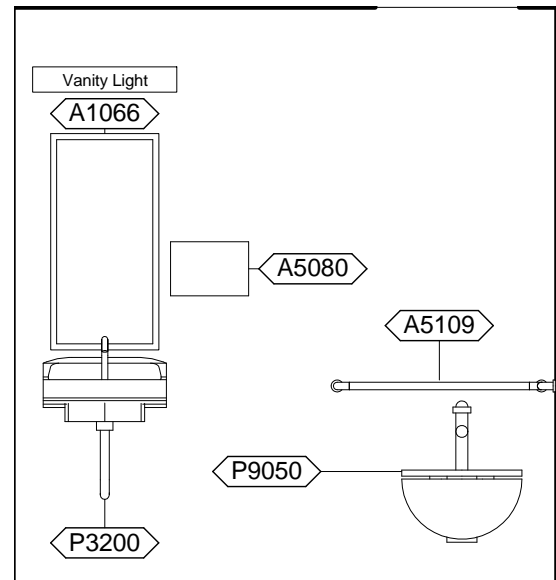
TLTU1 - PLAN EAST



TLTU1 - PLAN WEST



TLTU1 - PLAN NORTH



TLTU1 - PLAN SOUTH

<b>Room Description:</b> Exam, Isolation, Negative Pressure (EXRG6/TLTU1)	<b>NSF:</b> 180 60	<b>EXRG6/TLTU1</b>	
<b>Plate Description:</b> Interior Room Elevations	<b>Scale:</b> 3/8" = 1'-0"	Sheet <b>5</b>	of <b>6</b>

EXRG6 - EQUIPMENT SCHEDULE

JSN	Nomenclature	Qty	Logistics				Utilities					
			AR	NA	AF	VA	1	2	3	4	5	6
A1066	Mirror, Float Glass, With SS Frame	1	A	A	A	A	-	-	-	-	-	-
A1132	Rail, Accessory Mounting, 48"	1	A	A	A	A	-	-	-	-	-	-
A5075	Dispenser, Soap, Disposable	1	C	C	C	C	-	-	-	-	-	-
A5080	Dispenser, Paper Towel, SS, Surface Mounted	1	A	A	A	A	-	-	-	-	-	-
A5106	Waste Disposal Unit, Sharps w/Glove Dispenser	1	C	A	C	C	-	-	-	-	-	-
A5145	Hook, Garment, Double, SS, Surface Mounted	1	A	A	A	A	-	-	-	-	-	-
A5180	Track, Cubicle, Surface Mounted, With Curtain	1	A	A	A	A	-	-	-	-	-	-
E0948	Cart, General Storage, Mobile, 42"H x 32"W x 22"D	1	C	C	C	C	-	-	-	-	-	-
F0004	Mobile, Workstation	1	-	-	-	-	-	-	-	-	-	-
F0205	Chair, Side With Arms	1	C	C	C	C	-	-	-	-	-	-
F0340	Stool, Self Adjusting	1	C	C	C	C	-	-	-	-	-	-
F2010	Basket, Wastepaper, Step-On	2	C	C	C	C	-	-	-	-	-	-
F3200	Clock, Battery, 12" Diameter	1	C	C	C	C	-	-	-	-	-	-
M1620	Holder, Chart, Patient, Wall or Door Mounted	1	A	A	A	A	-	-	-	-	-	-
M1801	Computer, Microprocessing, w/Flat Panel Monitor	1	C	C	C	C	-	A	-	-	-	-
M3072	Frame, Infectious Waste Bag w/Lid	1	C	C	C	C	-	-	-	-	-	-
M4020	Scale, Person Weighing, High Capacity	1	C	C	C	C	-	A	-	-	-	-
M4100	Sphygmomanometer, Aneroid, Wall Mounted	1	C	C	C	C	-	-	-	-	-	-
M4200	Otoscope/Ophthalmoscope, Wall Mounted	1	C	C	-	C	-	A	-	-	-	-
M9025	Table, Examination/Treatment, With Cabinet	1	C	C	C	C	-	A	-	-	-	-
P3100	Lavatory, Vitreous China, Slab Type	1	A	A	A	A	D	-	-	-	-	-

TLTU1 - EQUIPMENT SCHEDULE

JSN	Nomenclature	Qty	Logistics				Utilities					
			AR	NA	AF	VA	1	2	3	4	5	6
A1066	Mirror, Float Glass, With SS Frame	1	A	A	A	A	-	-	-	-	-	-
A4995	Table, Diaper Changing, Wall Mounted	1	A	A	A	A	-	-	-	-	-	-
A5075	Dispenser, Soap, Disposable	1	C	C	C	C	-	-	-	-	-	-
A5080	Dispenser, Paper Towel, SS, Surface Mounted	1	A	A	A	A	-	-	-	-	-	-
A5090	Disposal, Sanitary Napkin, SS, Surface Mounted	1	A	A	A	A	-	-	-	-	-	-
A5109	Grab Bar, 1-1/4" Dia., SS, 2 Wall, W/C Accessible	2	A	A	A	A	-	-	-	-	-	-
A5145	Hook, Garment, Double, SS, Surface Mounted	1	A	A	A	A	-	-	-	-	-	-
A5202	Dispenser, Toilet Paper w/Utility Shelf, SS, 2-Roll	1	A	A	A	A	-	-	-	-	-	-
F2010	Basket, Wastepaper, Step-On	1	C	C	C	C	-	-	-	-	-	-
P3200	Lavatory, Vitreous China, Slab Type w/Sens Op Fauc	1	A	A	A	A	D	-	-	-	-	-
P9050	Toilet, Wall Hung, Siphon Jet	1	A	A	A	A	B	-	-	-	-	-

EXRG6 - DATA/TELEPHONE EQUIPMENT

JSN	Nomenclature	Qty	Logistics			
			AR	NV	AF	VA
A1010	Telecommunication Outlet	2	A	A	A	A
A1014	Telephone, Wall Mounted, 1 Line, with Speaker	1	A	A	A	A

<b>Room Description:</b> Exam, Isolation, Negative Pressure (EXRG6/TLTU1)	<b>NSF:</b> 180 60	<b>EXRG6/TLTU1</b>	
<b>Plate Description:</b> Equipment Schedule	<b>Scale:</b>	Sheet <b>6</b>	of <b>6</b>