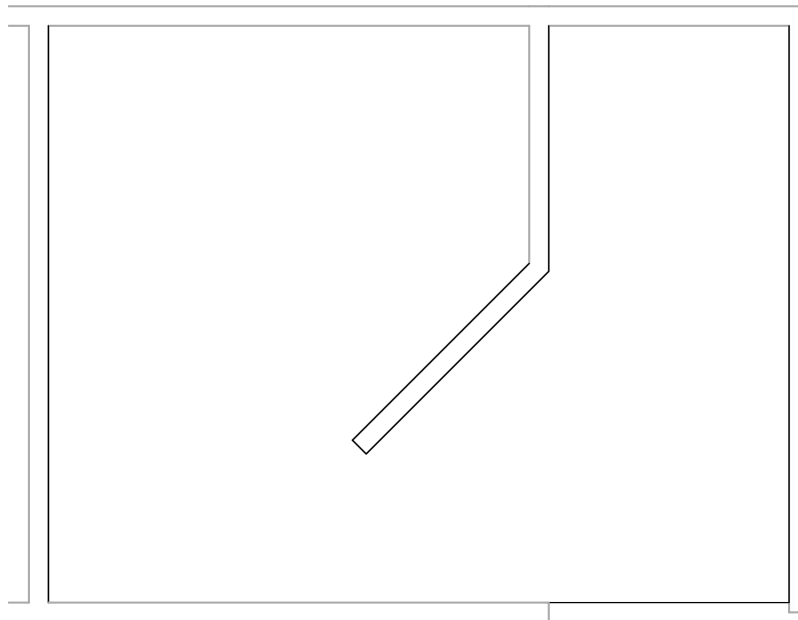


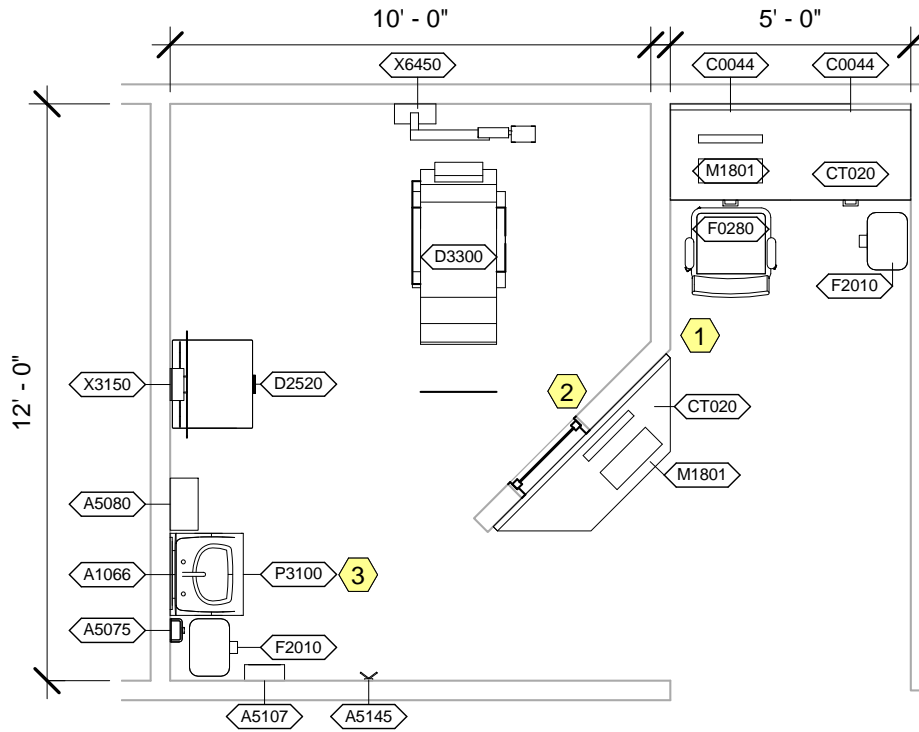


Room Description: Dental X-Ray, Extraoral/Panoramic/Cephlometric (DNXS1)	NSF: 180	DNXS1	
Sheet Description: Room/Equipment Isometric	Scale:	Sheet 1	of 5



DNXS1 - CEILING MOUNTED EQUIPMENT PLAN

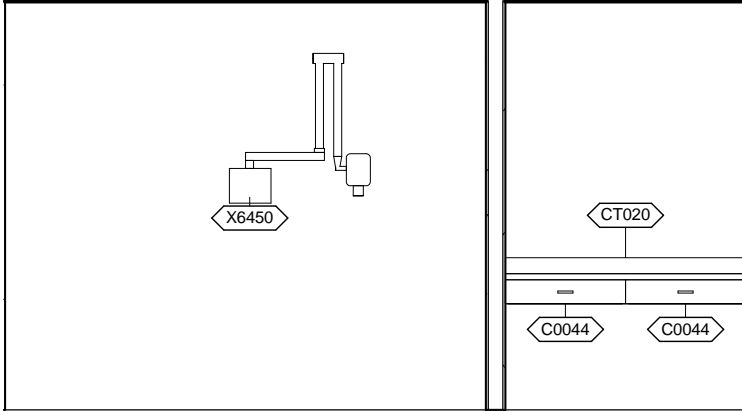
Room Description: Dental X-Ray, Extraoral/Panoramic/Cephlometric (DNXS1)	NSF: 180	DNXS1	
Sheet Description: Ceiling Mounted Equipment Plan	Scale: 1/4" = 1'-0"	Sheet 2	of 5



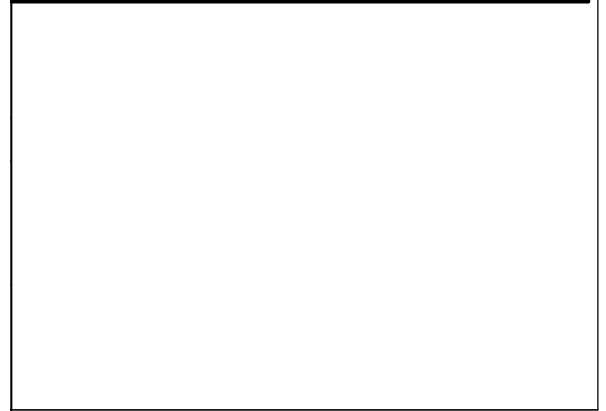
DNXS1 - NOTES

- 1 X-Ray Remote Control Unit
- 2 Lead Glass View Window
- 3 JSN P8710, Utility Center, shall be included in Navy projects only.

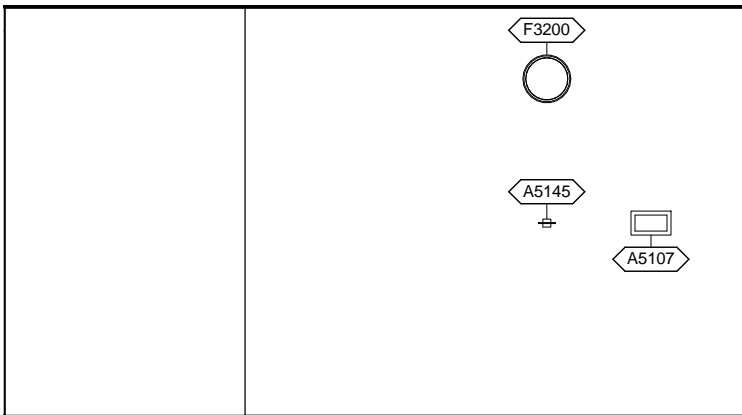
Room Description: Dental X-Ray, Extraoral/Panoramic/Cephometric (DNXS1)	NSF: 180	DNXS1	
Sheet Description: Equipment Plan	Scale: 1/4" = 1'-0"	Sheet 3	of 5



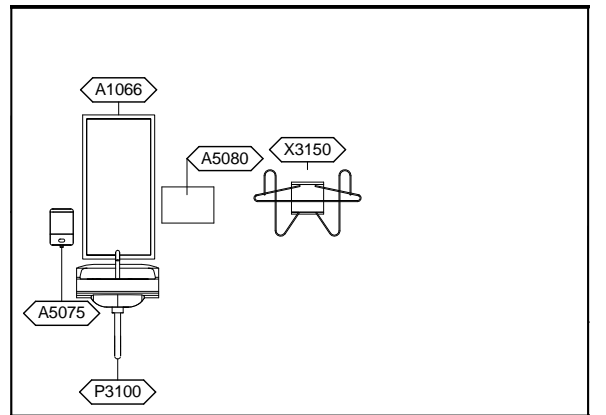
DNXS1 - NORTH ELEVATION



DNXS1 - EAST ELEVATION

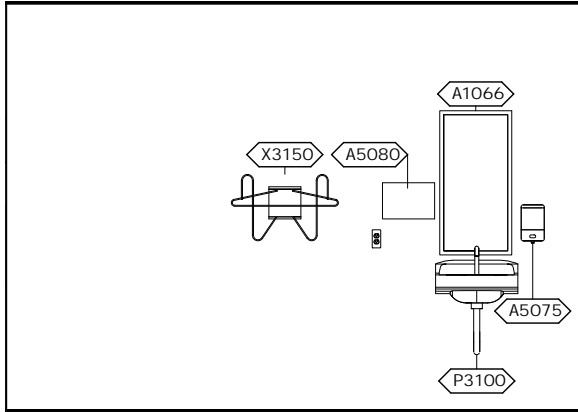


DNXS1 - SOUTH ELEVATION

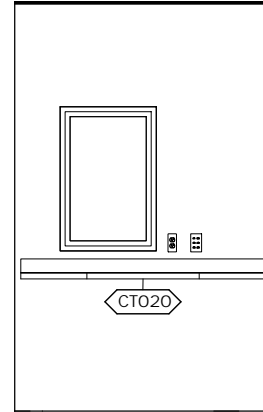


DNXS1 - WEST ELEVATION

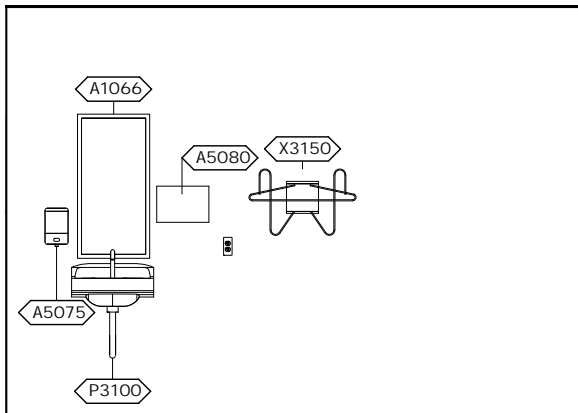
Room Description: Dental X-Ray, Extraoral/Panoramic/Cephometric (DNXS1)	NSF: 180	<h1>DNXS1</h1>	
Sheet Description: Interior Room Elevations	Scale: 1/4" = 1'-0"	Sheet <h2>4</h2>	of <h2>5</h2>



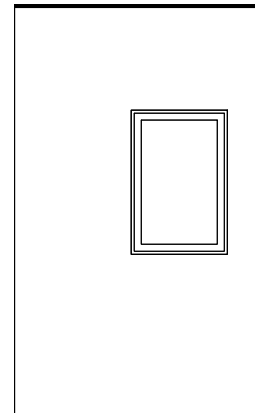
DNXS1 - EAST ELEVATION



DNXS1 - ANGLED ELEVATION



DNXS1 - WEST ELEVATION



DNXS1 - ANGLED (REVERSE) ELEVATION

<p>Room Description: Dental, X-Ray, Intraoral/Panoramic/Cephalometric Suite (DNXS1)</p>	<p>NSF: 300</p>	<p style="text-align: center; font-size: 24pt;">DNXS1</p>	
<p>Sheet Description: Interior Room Elevations</p>	<p>Scale: 1/4" = 1'-0"</p>	<p style="text-align: center;">Sheet 5</p>	<p style="text-align: center;">of 6</p>