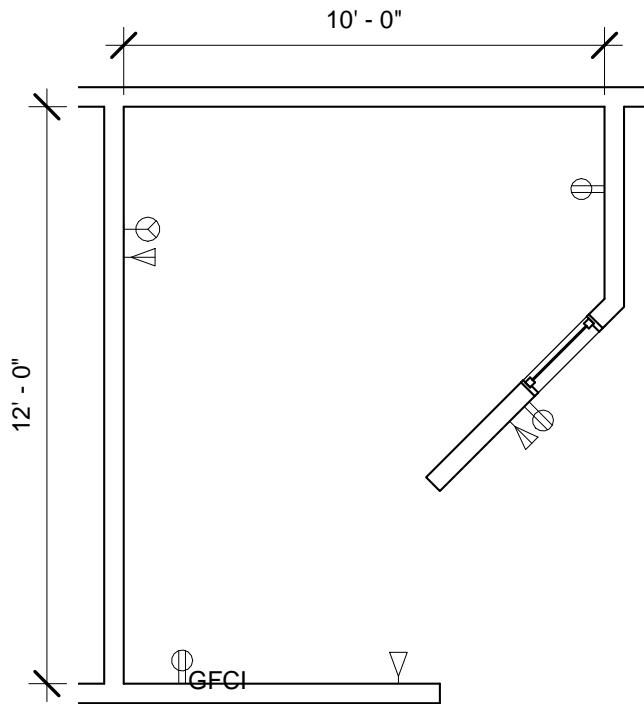
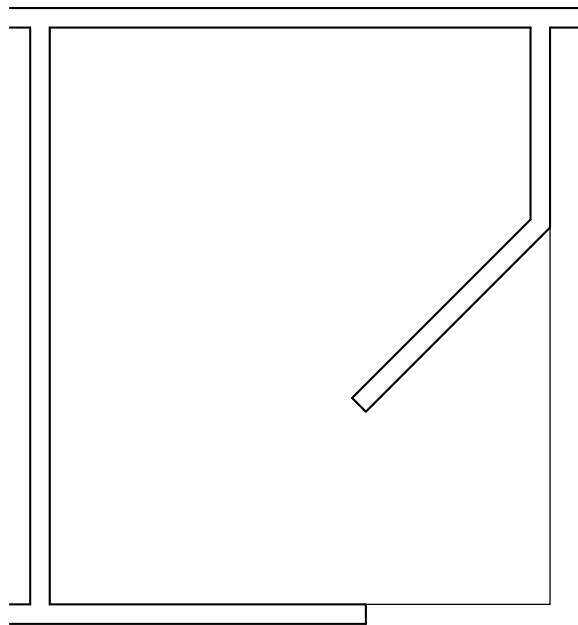


Room Description: Dental X-Ray, Cone Beam (DNXC1)	NSF: 120	DNXC1	
Sheet Description: Room/Equipment Isometric	Scale:	Sheet 1	of 5

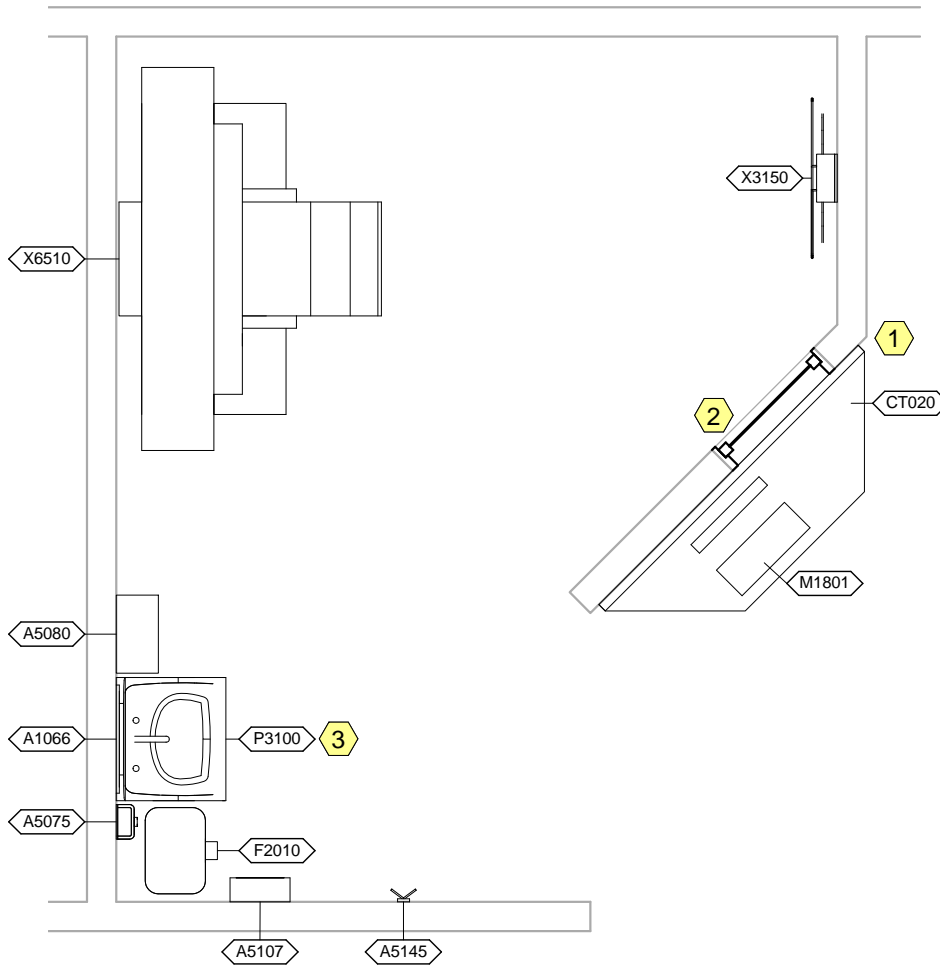


DNXC1 - FLOOR PLAN



DNXC1 - CEILING MOUNTED EQUIPMENT PLAN

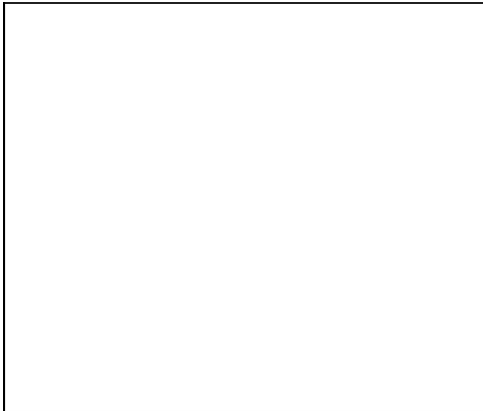
Room Description: Dental X-Ray, Cone Beam (DNXC1)	NSF: 120	DNXC1	
Sheet Description: Floor & Ceiling Mounted Equipment Plans	Scale: 1/4" = 1'-0"	Sheet 2	of 5



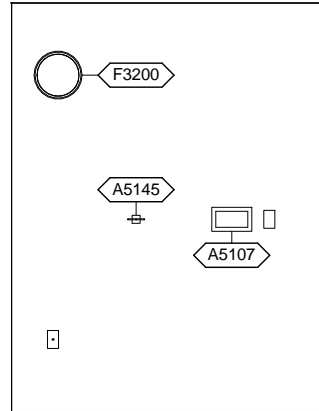
DNXC1 - NOTES

- 1 X-Ray Remote Control Unit.
- 2 Lead Glass View Window.
- 3 JSN P8710, Utility Center, shall be included in Navy projects only.

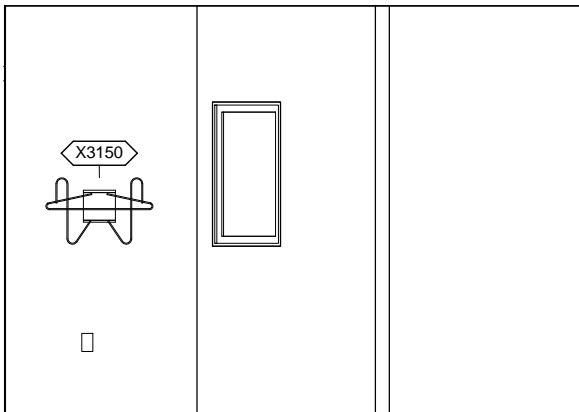
Room Description: Dental X-Ray, Cone Beam (DNXC1)	NSF: 120	DNXC1	
Sheet Description: Equipment Plan	Scale: 3/8" = 1'-0"	Sheet 3	of 5



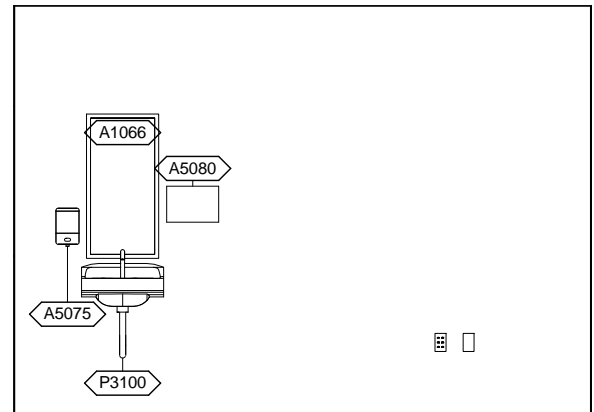
DNXC1 - NORTH ELEVATION



DNXC1 - SOUTH ELEVATION



DNXC1 - EAST ELEVATION



DNXC1 - WEST ELEVATION

Room Description: Dental X-Ray, Cone Beam (DNXC1)	NSF: 120	DNXC1	
Sheet Description: Interior Room Elevations	Scale: 1/4" = 1'-0"	Sheet 4	of 5

DNXC1 - EQUIPMENT SCHEDULE

JSN	Nomenclature	Qty	LF	AR	Logistics			Utilities					
					NA	AF	VA	1	2	3	4	5	6
A1066	Mirror, Float Glass, With SS Frame	1		A	A	A	A	-	-	-	-	-	-
A5075	Dispenser, Soap, Disposable	1		C	C	C	C	-	-	-	-	-	-
A5080	Dispenser, Paper Towel, SS, Surface Mounted	1		A	A	A	A	-	-	-	-	-	-
A5107	Dispenser, Glove, Surgical/Examination, Wall Mntd	1		C	C	C	C	-	-	-	-	-	-
A5145	Hook, Garment, Double, SS, Surface Mounted	1		A	A	A	A	-	-	-	-	-	-
CT020	Countertop, Solid Surface, Angled	1	4'-0"	A	A	A	A	-	-	-	-	-	-
F2010	Basket, Wastepaper, Step-On	1		C	C	C	C	-	-	-	-	-	-
F3200	Clock, Battery, 12" Diameter	1		C	C	C	C	-	-	-	-	-	-
M1801	Computer, Microprocessing, w/Flat Panel Monitor	1		C	C	C	C	-	A	-	-	-	-
P3100	Lavatory, Vitreous China, Slab Type	1		A	A	A	A	D	-	-	-	-	-
X3150	Rack, Apron/Gloves, Wall Mounted	1		A	A	A	A	-	-	-	-	-	-
X6510	Radiographic Unit, Dental, Cone Beam, 3-D Imaging	1		F	F	F	F	-	F	-	-	-	-

DNXC1 - DATA/TELEPHONE EQUIPMENT

JSN	Nomenclature	Qty	Logistics			
			AR	NA	AF	VA
A1010	Telecommunication Outlet	2	A	A	A	A
A1014	Telephone, Wall Mounted, 1 Line, with Speaker	1	A	A	A	A

Room Description: Dental X-Ray, Cone Beam (DNXC1)	NSF: 120	DNXC1	
Sheet Description: Equipment Schedule	Scale:	Sheet 5	of 5