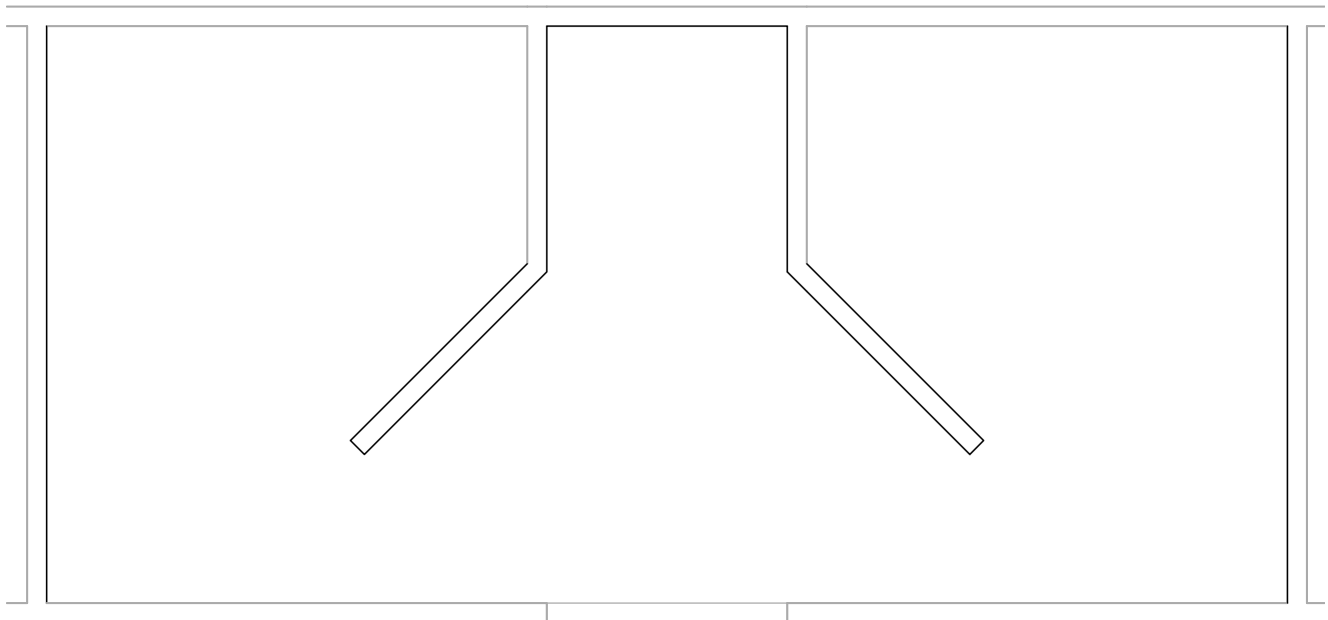


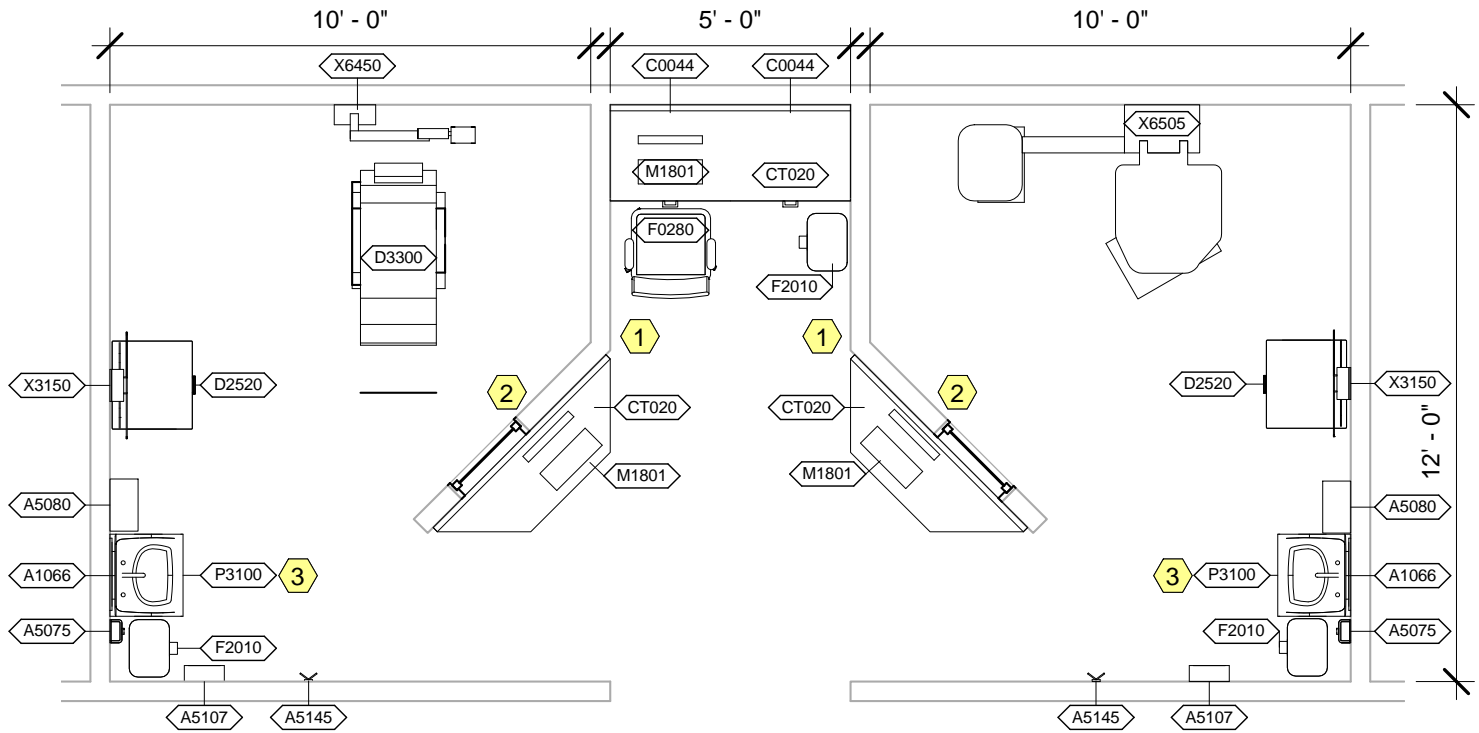


Room Description: Dental, X-Ray, Intraoral/Panoramic/Cephalometric Suite (DNXS1)	NSF: 300	DNXS1	
Sheet Description: Room/Equipment Isometric	Scale:	Sheet 1	of 6



DNXS1 - CEILING MOUNTED EQUIPMENT PLAN

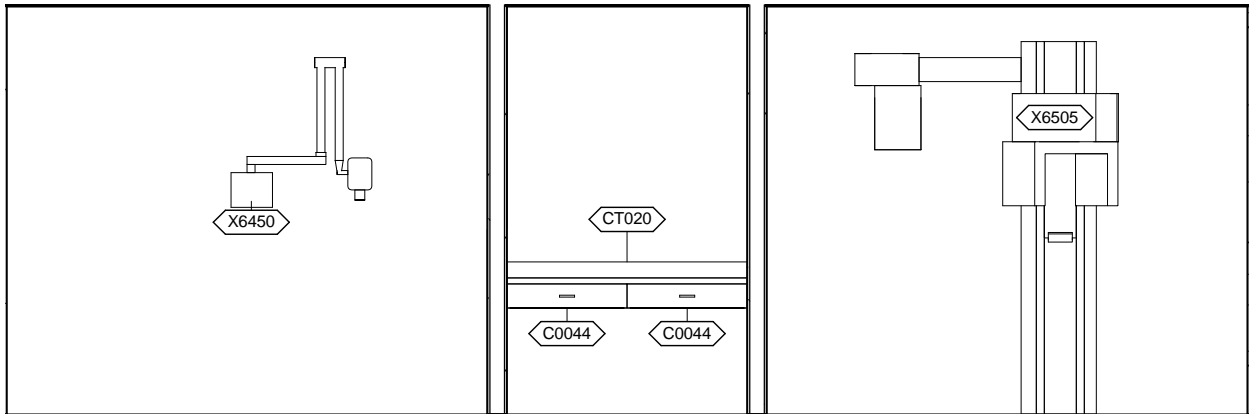
Room Description: Dental, X-Ray, Intraoral/Panoramic/Cephalometric Suite (DNXS1)	NSF: 300	DNXS1	
Sheet Description: Ceiling Mounted Equipment Plan	Scale: 1/4" = 1'-0"	Sheet 2	of 6



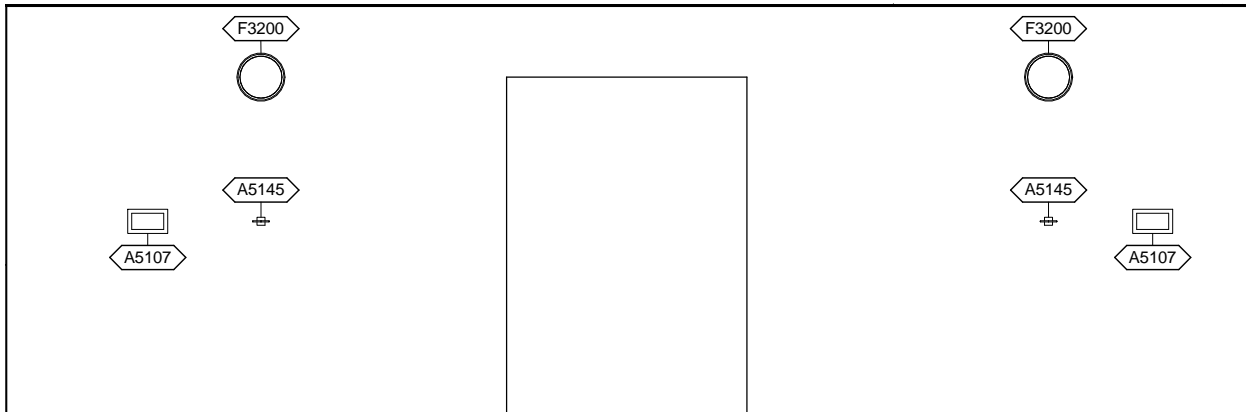
DNXS1 - NOTES

- 1 X-Ray Remote Control Unit
- 2 Lead Glass View Window
- 3 JSN P8710, Utility Center, shall be included in Navy projects only.

Room Description: Dental, X-Ray, Intraoral/Panoramic/Cephalometric Suite (DNXS1)	NSF: 300	DNXS1	
Sheet Description: Equipment Plan	Scale: 1/4" = 1'-0"	Sheet 3	of 6

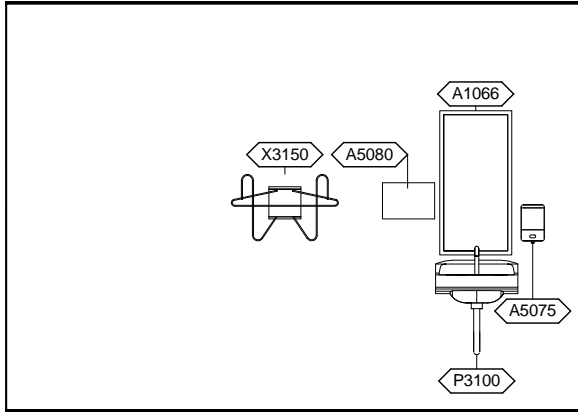


DNXS1 - NORTH ELEVATION

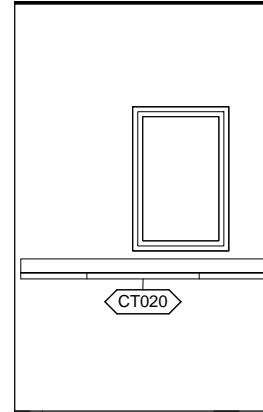


DNXS1 - SOUTH ELEVATION

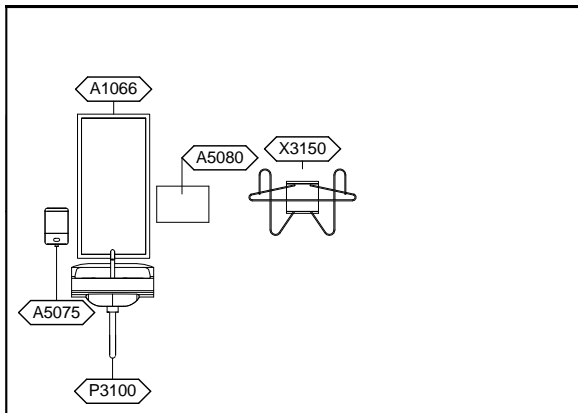
Room Description: Dental, X-Ray, Intraoral/Panoramic/Cephalometric Suite (DNXS1)	NSF: 300	<h1>DNXS1</h1>	
Sheet Description: Interior Room Elevations	Scale: 1/4" = 1'-0"	Sheet <h2>4</h2>	of <h2>6</h2>



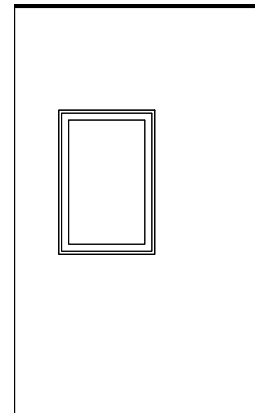
DNXS1 - EAST ELEVATION



DNXS1 - ANGLED ELEVATION



DNXS1 - WEST ELEVATION



DNXS1 - ANGLED (REVERSE) ELEVATION

Room Description: Dental, X-Ray, Intraoral/Panoramic/Cephalometric Suite (DNXS1)	NSF: 300	DNXS1	
Sheet Description: Interior Room Elevations	Scale: 1/4" = 1'-0"	Sheet 5	of 6

DNXS1 - EQUIPMENT SCHEDULE

JSN	Nomenclature	Qty	LF	AR	Logistics				Utilities					
					NA	AF	VA	1	2	3	4	5	6	
A1066	Mirror, Float Glass, With SS Frame	2		A	A	A	A	-	-	-	-	-	-	
A5075	Dispenser, Soap, Disposable	2		C	C	C	C	-	-	-	-	-	-	
A5080	Dispenser, Paper Towel, SS, Surface Mounted	2		A	A	A	A	-	-	-	-	-	-	
A5107	Dispenser, Glove, Surgical/Examination, Wall Mntd	2		C	C	C	C	-	-	-	-	-	-	
A5145	Hook, Garment, Double, SS, Surface Mounted	2		A	A	A	A	-	-	-	-	-	-	
C0044	Frame, Apron, 1 Drawer, 4x30x22	2		A	A	A	A	-	-	-	-	-	-	
CT020	Countertop, Solid Surface	1	5'-0"	A	A	A	A	-	-	-	-	-	-	
CT020	Countertop, Solid Surface, Angled	2	4'-0"	A	A	A	A	-	-	-	-	-	-	
D2520	Cabinet, Mobile, Storage/Assistant, Dental	2		C	C	C	C	-	-	-	-	-	-	
D3300	Chair, Radiographic, Dental	1		C	C	C	C	-	A	-	-	-	-	
F0280	Chair, Swivel, Low Back	1		C	C	C	C	-	-	-	-	-	-	
F2010	Basket, Wastepaper, Step-On	3		C	C	C	C	-	-	-	-	-	-	
F3200	Clock, Battery, 12" Diameter	2		C	C	C	C	-	-	-	-	-	-	
M1801	Computer, Microprocessing, w/Flat Panel Monitor	3		C	C	C	C	-	A	-	-	-	-	
P3100	Lavatory, Vitreous China, Slab Type	2		A	A	A	A	D	-	-	-	-	-	
X3150	Rack, Apron/Gloves, Wall Mounted	2		A	A	A	A	-	-	-	-	-	-	
X6450	Radiographic Unit, Dental, Wall Mounted, 15 mA	1		F	F	F	F	-	B	-	-	-	B	
X6505	Radiographic Unit, Dental, Panoraphic & Cephalo	1		F	F	F	F	-	F	-	-	-	B	

Room Description: Dental, X-Ray, Intraoral/Panoramic/Cephalometric Suite (DNXS1)	NSF: 300	DNXS1	
Sheet Description: Equipment Schedule	Scale:	Sheet 6	of 6