

**DAF STANDARD DESIGN
STORAGE IGLOO
MUNITION SUPPLY AREA (MSA)
CATCODE:422264**



| | |
|--------|---------------------|
| PHASE: | PRE-FINAL SUBMITTAL |
| DATE: | AS INDICATED |
| SCALE: | AS INDICATED |

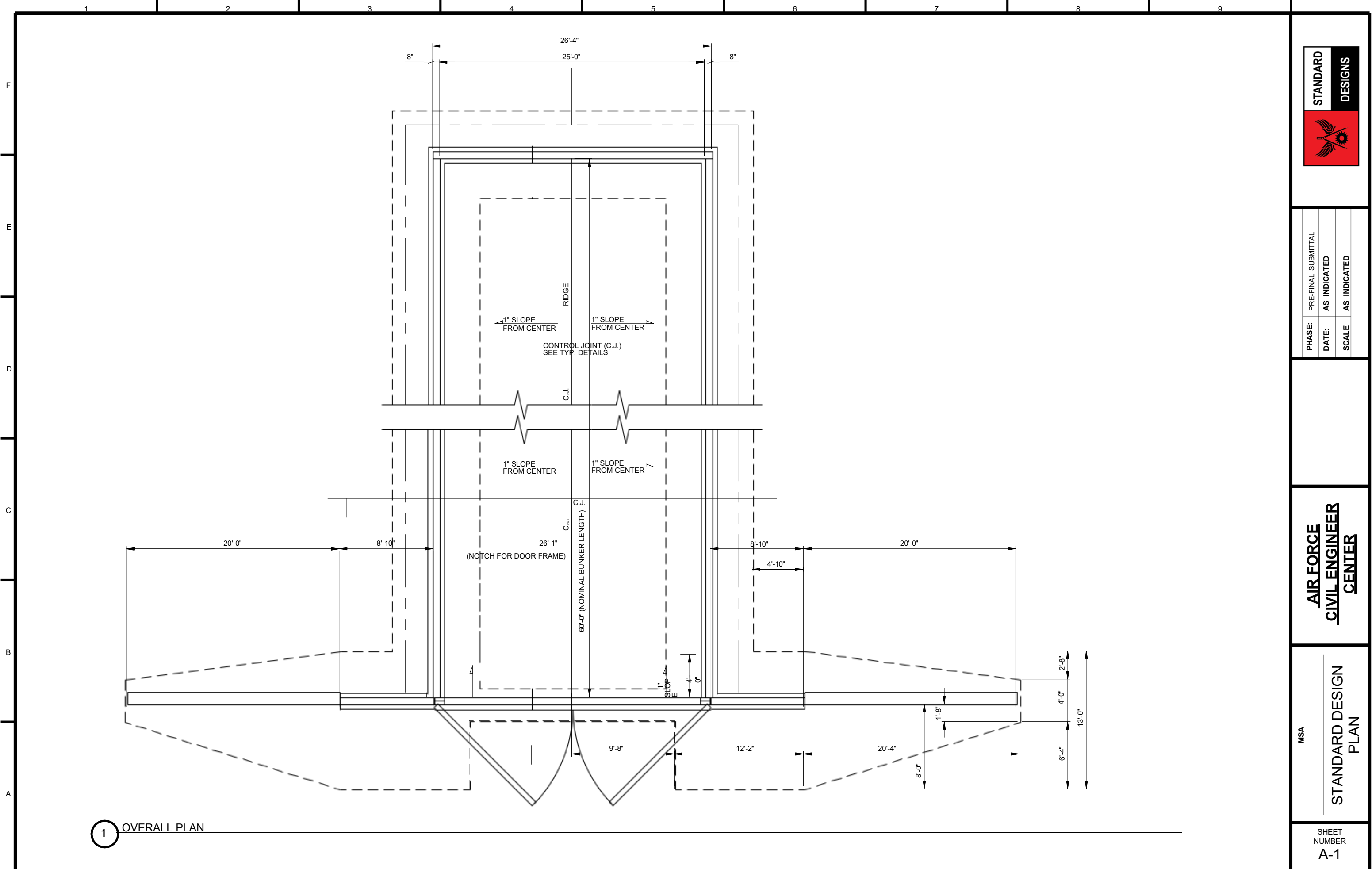
**AIR FORCE
CIVIL ENGINEER
CENTER**

MSA
COVER SHEET

SHEET
NUMBER
C-1

OCT 2020

NOT FOR CONSTRUCTION



1 OVERALL PLAN

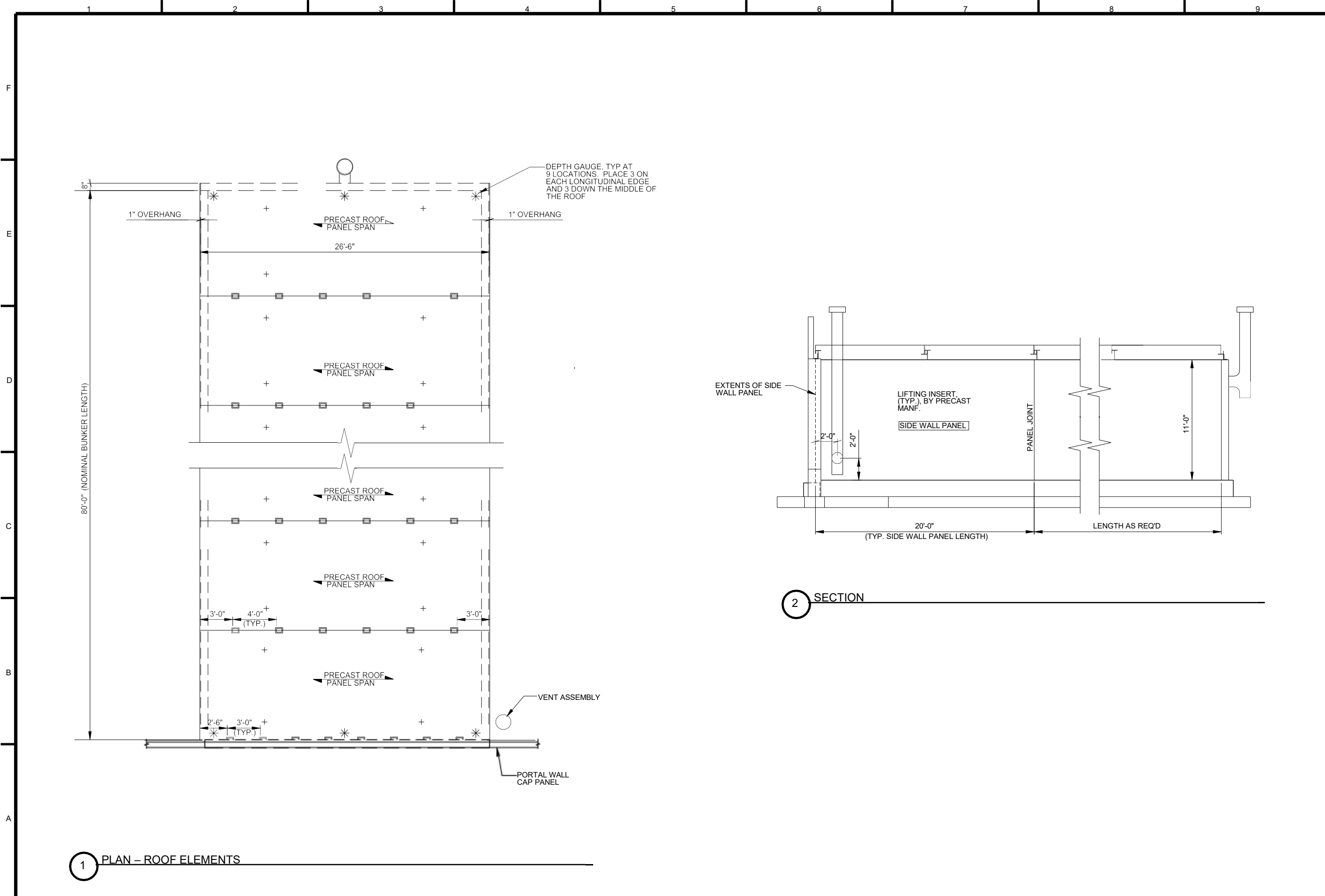


| | |
|--------|---------------------|
| PHASE: | PRE-FINAL SUBMITTAL |
| DATE: | AS INDICATED |
| SCALE: | AS INDICATED |

**AIR FORCE
CIVIL ENGINEER
CENTER**

MSA
STANDARD DESIGN
PLAN

SHEET
NUMBER
A-1



1 PLAN - ROOF ELEMENTS

2 SECTION

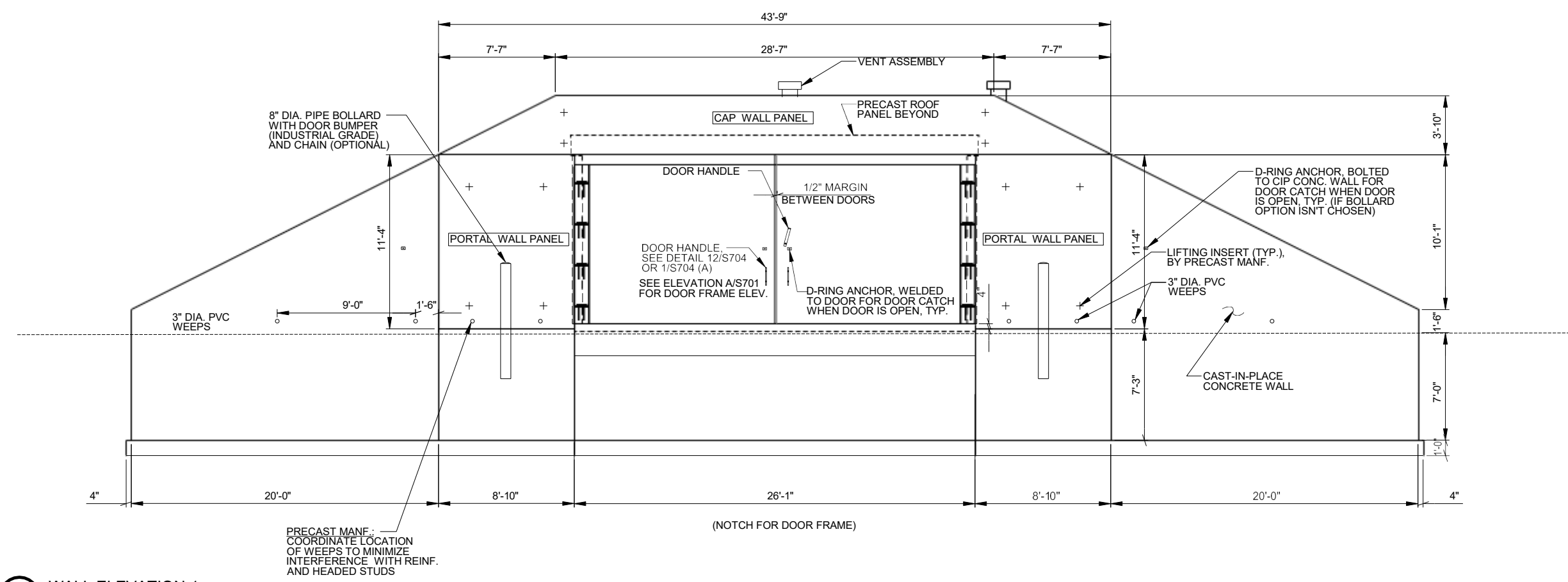


| | |
|--------|---------------------|
| PHASE: | PRE-FINAL SUBMITTAL |
| DATE: | AS INDICATED |
| SCALE: | AS INDICATED |

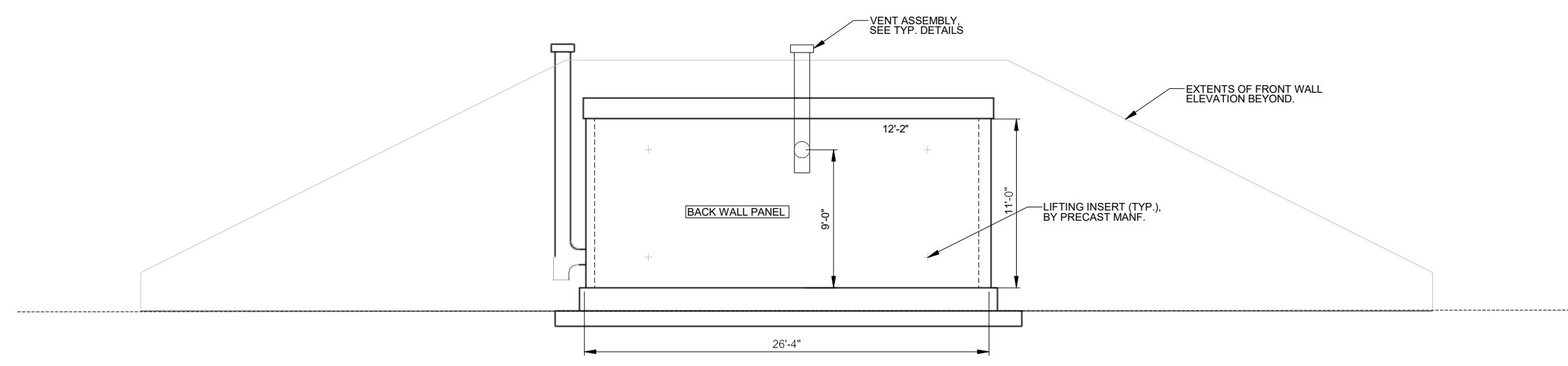
AIR FORCE
CIVIL ENGINEER
CENTER

MSA
STANDARD DESIGN
PLAN

SHEET
NUMBER
A-2



1 WALL ELEVATION 1



2 WALL ELEVATION 2



| | |
|--------|---------------------|
| PHASE: | PRE-FINAL SUBMITTAL |
| DATE: | AS INDICATED |
| SCALE: | AS INDICATED |

AIR FORCE
CIVIL ENGINEER
CENTER

MSA
ELEVATIONS

SHEET NUMBER
A-3